

8

7

6

5

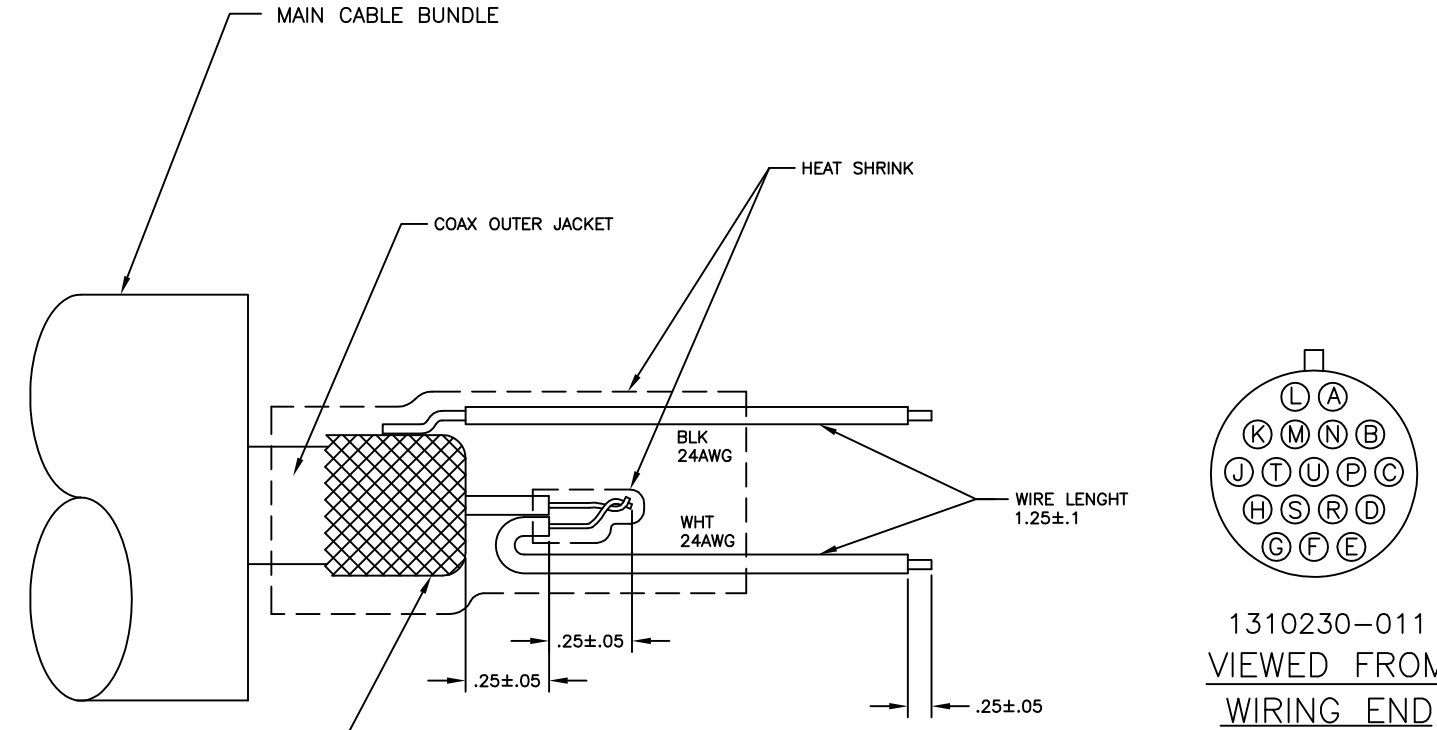
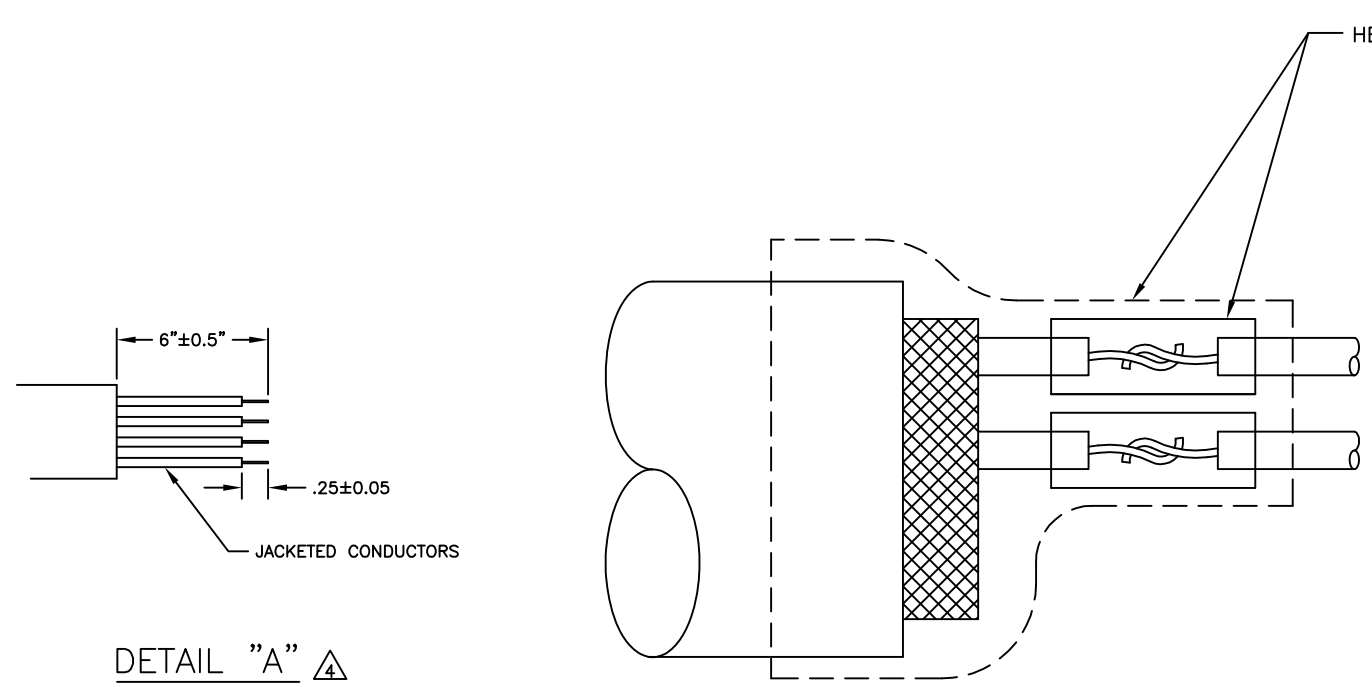
4

3

2

1

REVISIONS				
ZONE	LTR	DESCRIPTION	DATE	APPROVED
	H	IN TABLE AT CA252H CONNECTOR (AMP) ADDED CONNECTOR PART NUMBER (WAS JOB 8498-3), ACCESSORY PART NUMBERS AND PIN NUMBERS. ADDED CA252C AND CA252D. ECO 030833	4-18-11 M.C.	DD
	J	REVISED NOTE 8 (WAS: IDENTIFY WITH PART NUMBER AND REVISION APPROX. WHERE SHOWN). ECO 031159	01-09-12 M.C.	MN
	K	REVISED NOTES 1 & 3. ECO 031171	01-18-12 M.C.	MN



WIRE TERMINATION

PIGTAIL SPLICE

COAX TERMINATION

PARALLEL TERMINATION

- 1. TERMINATE TWO PARALLEL CONDUCTORS INTO A SINGLE CONDUCTOR AS SHOWN.
- 2. POT MAIN CONNECTOR PER MM-81.
- 3. UNUSED WRE TO BE CUT FLUSH W/OUTER JACKET AND COVERED BY HEAT SHRINK.
- 4. IDENTIFY WITH THE 'CAxxxx' CABLE NUMBER AS INDICATED IN THIS DRAWING, THE REVISION OF THIS DRAWING, AND THE SPECIFIED CABLE LENGTH APPROX. WHERE SHOWN.
- 5. IDENTIFY WITH NOMENCLATURE INDICATED APPROX. WHERE SHOWN.
- 6. INSTALL CONNECTORS PER MFR. INSTRUCTIONS.
- 7. TERMINATE COAX PER DETAIL C.
- 8. STRIP OUTER JACKET BACK 6" ± .5". STRIP INDIVIDUAL CONDUCTORS .25" ± .05" AND TIN WIRE AS REQUIRED BY SCHEMATIC. UNUSED WIRE TO BE CUT FLUSH WITH OUTER JACKET AND COVERED BY HEAT SHRINK IF REQUIRED. SEE DETAIL A.
- 9. FOR CABLE LENGTHS GREATER THAN 10 FEET: STRIP OUTER JACKET OF CABLE BUNDLE BACK 6 FEET. FOR CABLE LENGTHS LESS THAN 10 FEET: STRIP OUTER JACKET OF CABLE 1/2 OF SPECIFIED LENGTH. FOR ALL CABLES TERMINATE WIRES AS INDICATED BY SCHEMATIC.
- 10. INSTALL SHRINK TUBING OVER SPLICED SOLDER JOINTS AS SHOWN IN DETAILS B & D.
- 11. MAX. CABLE LENGTH: 328 FEET FOR 115VAC; 80 FEET FOR 24VAC. MINIMUM CABLE LENGTH IS 2 FEET.

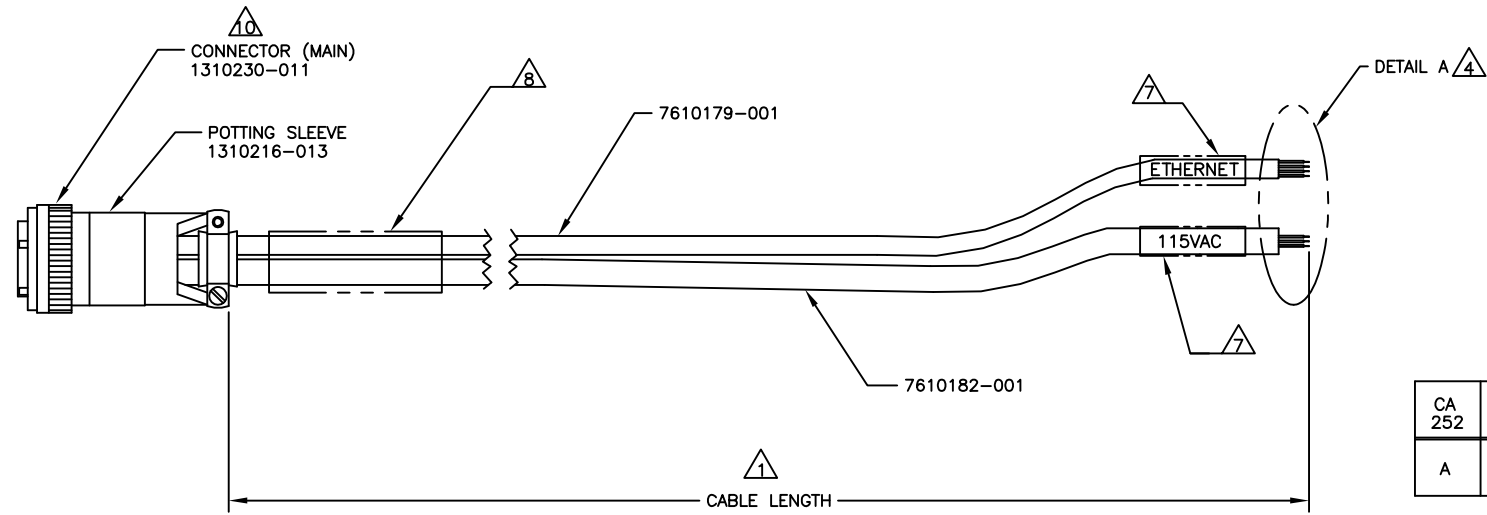
NOTES: UNLESS OTHERWISE SPECIFIED

UNLESS OTHERWISE SPECIFIED DIMENSIONS ARE IN INCHES () ARE METRIC (mm)		DRAFTER M.C. 03-31-06
TOLERANCES ARE:		CHECKER N.T.
INCHES .00 ± .03	(0.0) ± 1.0	APPD
MILLIMETERS .000 ± .010	(0.00) ± 0.25	APPD
ANGLES ± 0° 30'		RELEASE ECN K063
TOLERANCES:		DO NOT SCALE DRAWING
INCHES .013 THRU +.004	(.30) THRU +.10	
.125 - .001	(3.20) -.02	
.126 THRU +.008	(3.21) THRU +.13	
.250 - .001	(6.35) -.02	
.251 THRU +.006	(6.36) THRU +.16	
.500 - .001	(12.70) -.02	
.501 THRU +.008	(12.71) THRU +.20	
.750 - .001	(20.0) -.02	
REF 7411996	MATERIAL	
DASH REQD	NEXT ASSEMBLY	FINISH

COHU INC.		ELECTRONICS DIVISION SAN DIEGO CALIFORNIA
CABLE ASSEMBLY CA252 SERIES		
SIZE	CODE IDENT NO.	
D 05157	7411252	K
SCALE NONE	SHEET 1 OF 11	

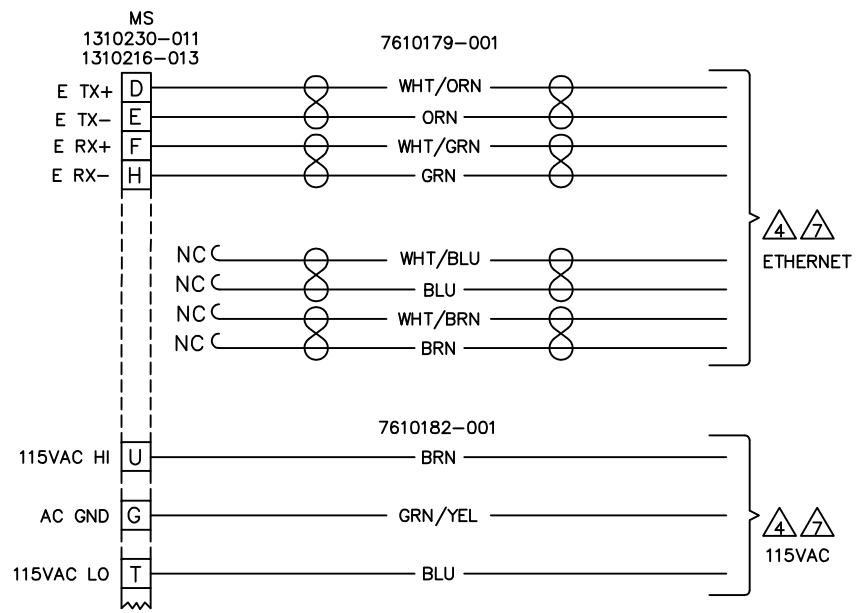
8 7 6 5 4 3 2 1

D



CA 252	CONNECTOR (MAIN)	ACCESSORY
A	1310230-011	1310216-013

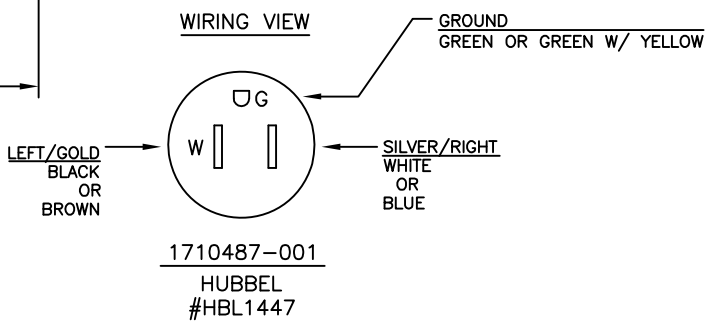
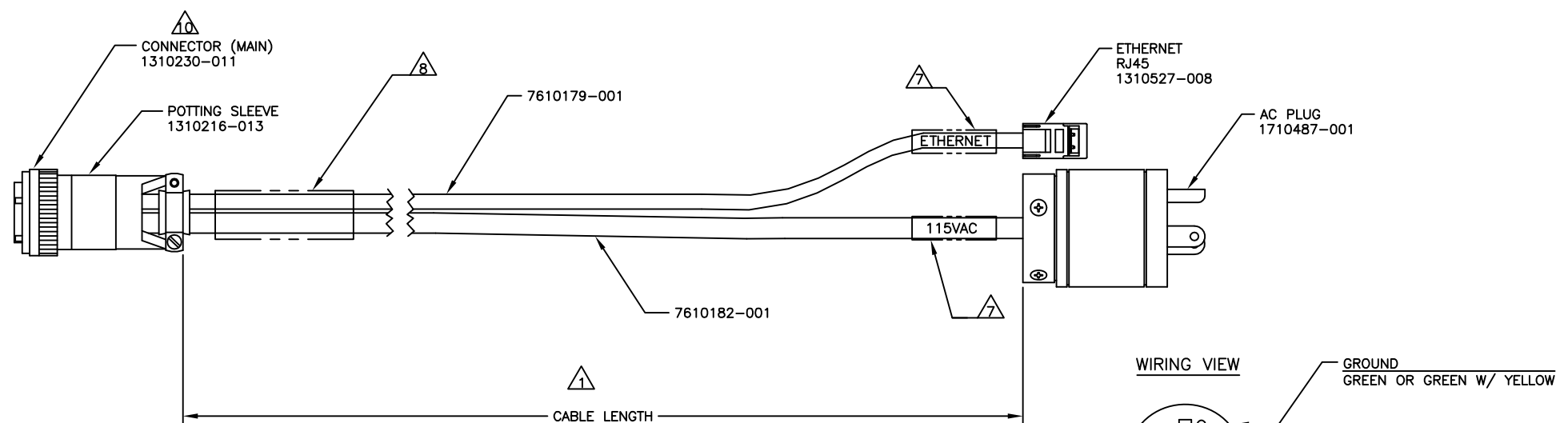
CA252A



SCHEMATIC

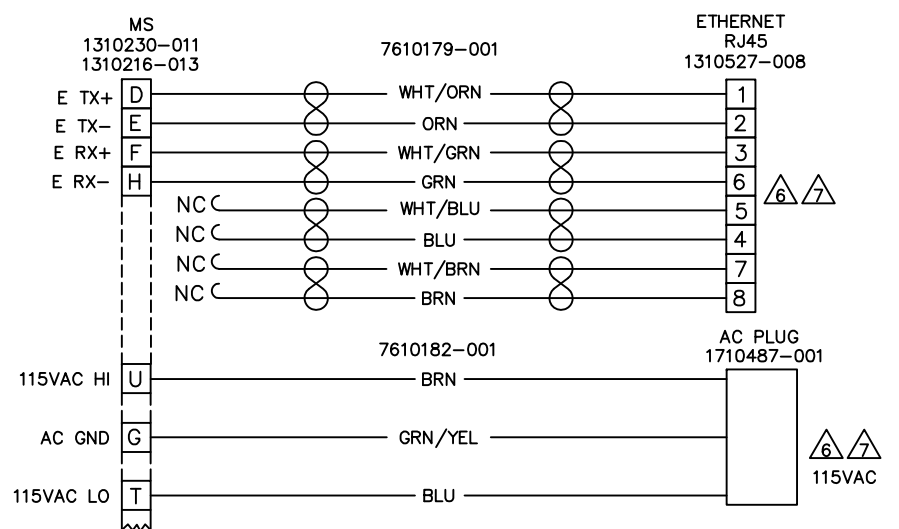
C

B



CA252B

CA 252	CONNECTOR (MAIN)	ACCESSORY	CONNECTOR RJ45	AC PLUG
B	1310230-011	1310216-013	1310527-008	1710487-001



SCHEMATIC

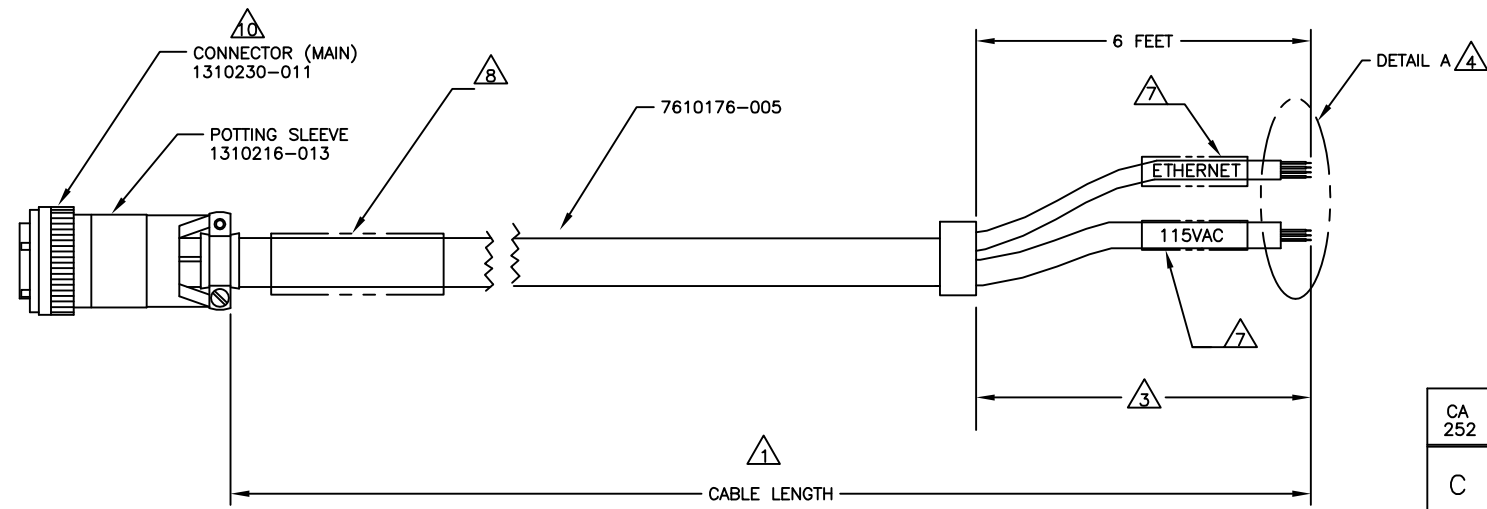
A

DRAFTER M.C. 03-31-06		COHU INC. ELECTRONICS DIVISION SAN DIEGO CALIFORNIA	
CHECKER N.T.			
APPD		CABLE ASSEMBLY CA252 SERIES	
APPD			
RELEASE ECN K063			
DO NOT SCALE DRAWING		SIZE	CODE IDENT NO.
REF	7411996	D	05157
DASH	REQD	NEXT ASSEMBLY	
		SCALE NONE	SHEET 2 OF 11

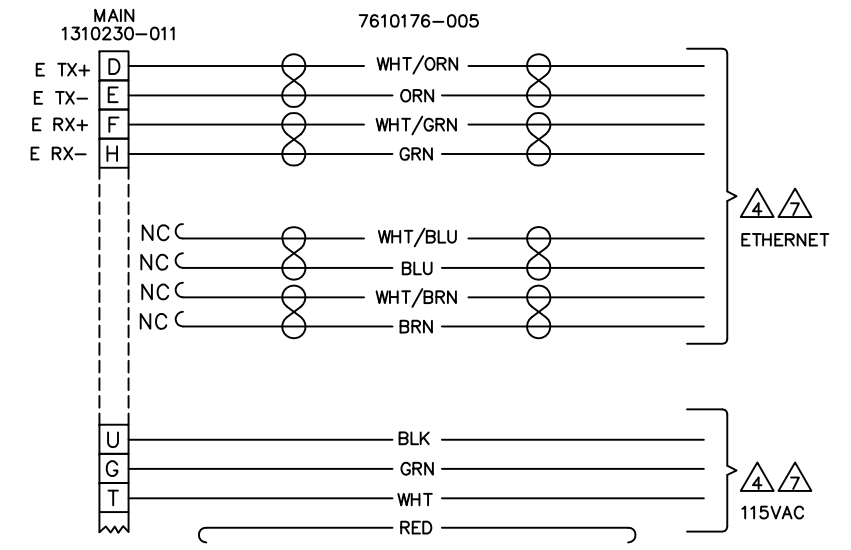
↑

8 7 6 5 4 3 2 1

D



CA 252	CONNECTOR (MAIN)	ACCESSORY
C	1310230-011	1310216-013 POTTING SLEEVE



CA252C

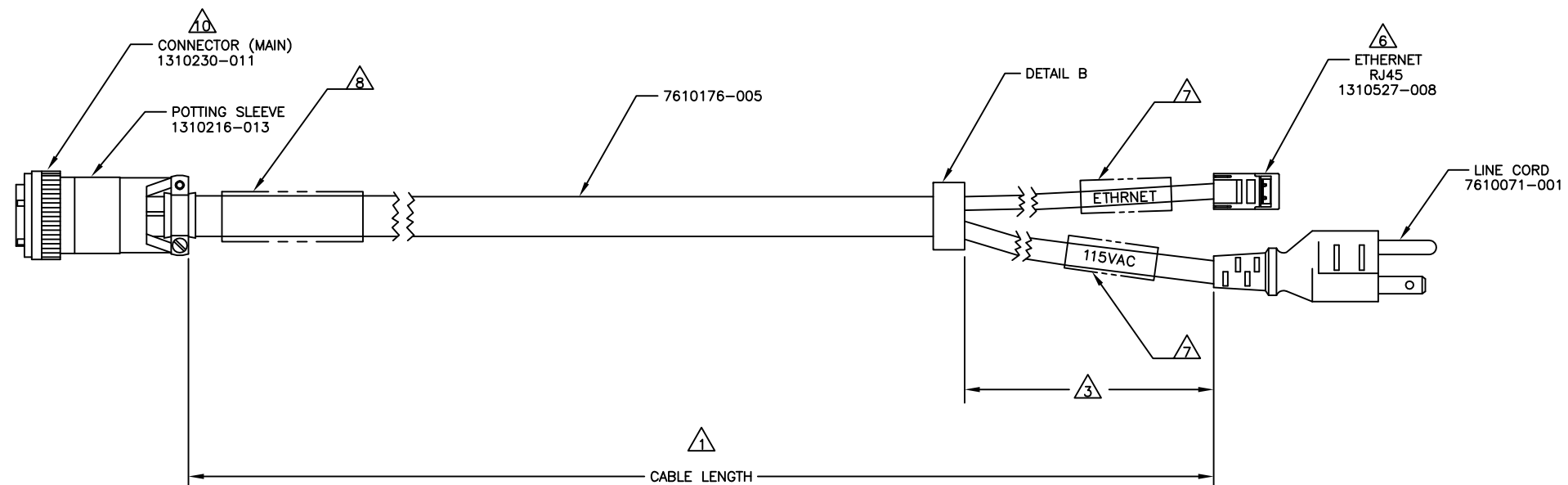
SCHEMATIC

C

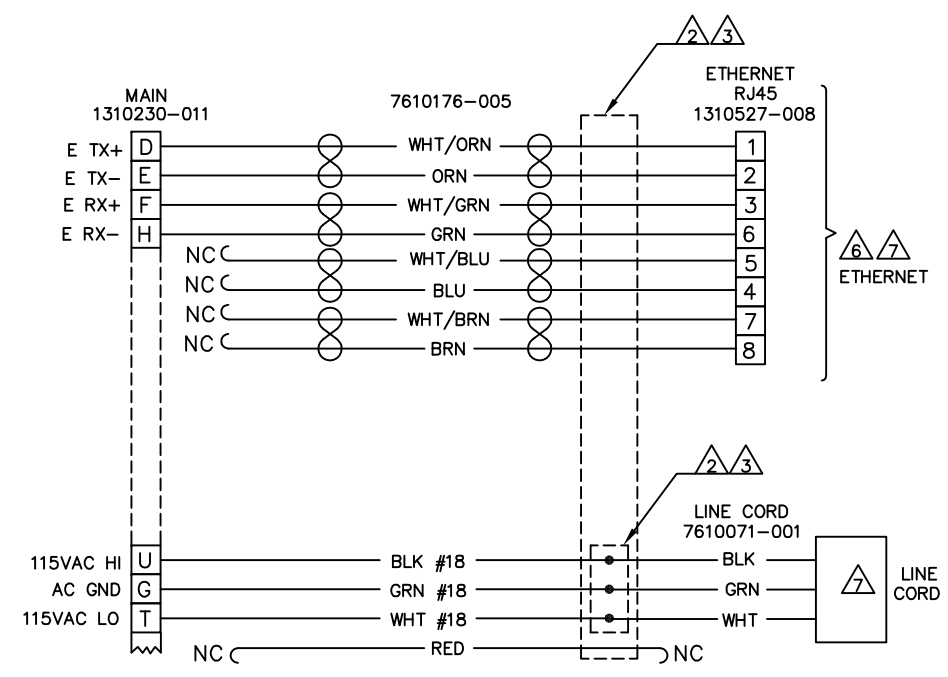
D

C

B



CA 252	CONNECTOR (MAIN)	ACCESSORY	CONNECTOR RJ45	LINE CORD
D	1310230-011	1310216-013 POTTING SLEEVE	1310527-008	7610071-001



CA252D

SCHEMATIC

B

B

A

A

DRAFTER M.C. 03-31-06		COHU INC.	ELECTRONICS DIVISION SAN DIEGO CALIFORNIA			
CHECKER N.T.						
APPD		CABLE ASSEMBLY CA252				
APPD						
RELEASE ECN K063						
DO NOT SCALE DRAWING		SIZE	CODE IDENT NO.	7411252	K	
REF	7411996	D	05157			
DASH	REQD	NEXT ASSEMBLY		SCALE NONE	SHEET 3 OF 11	REV

↑

8

7

6

5

4

3

2

1

D

D

C

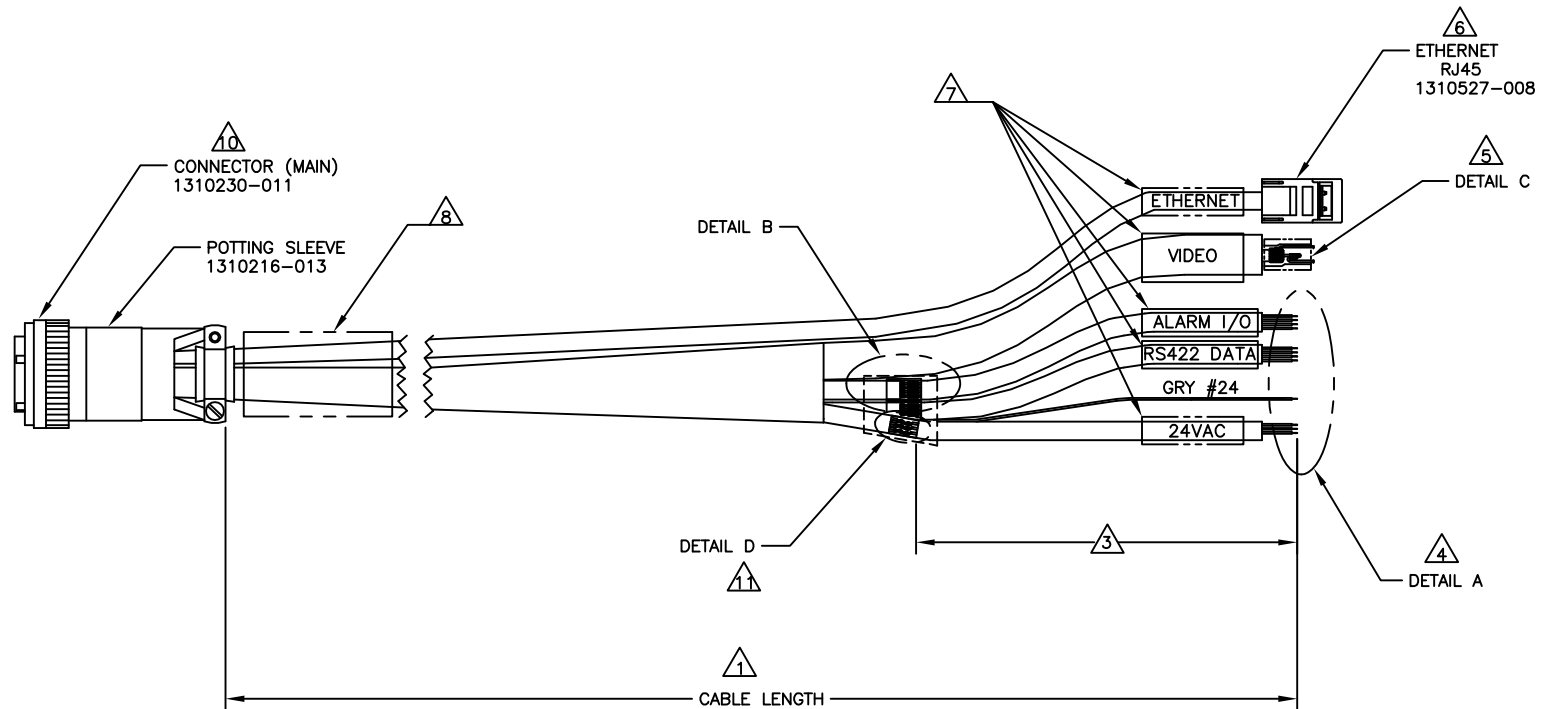
C

B

B

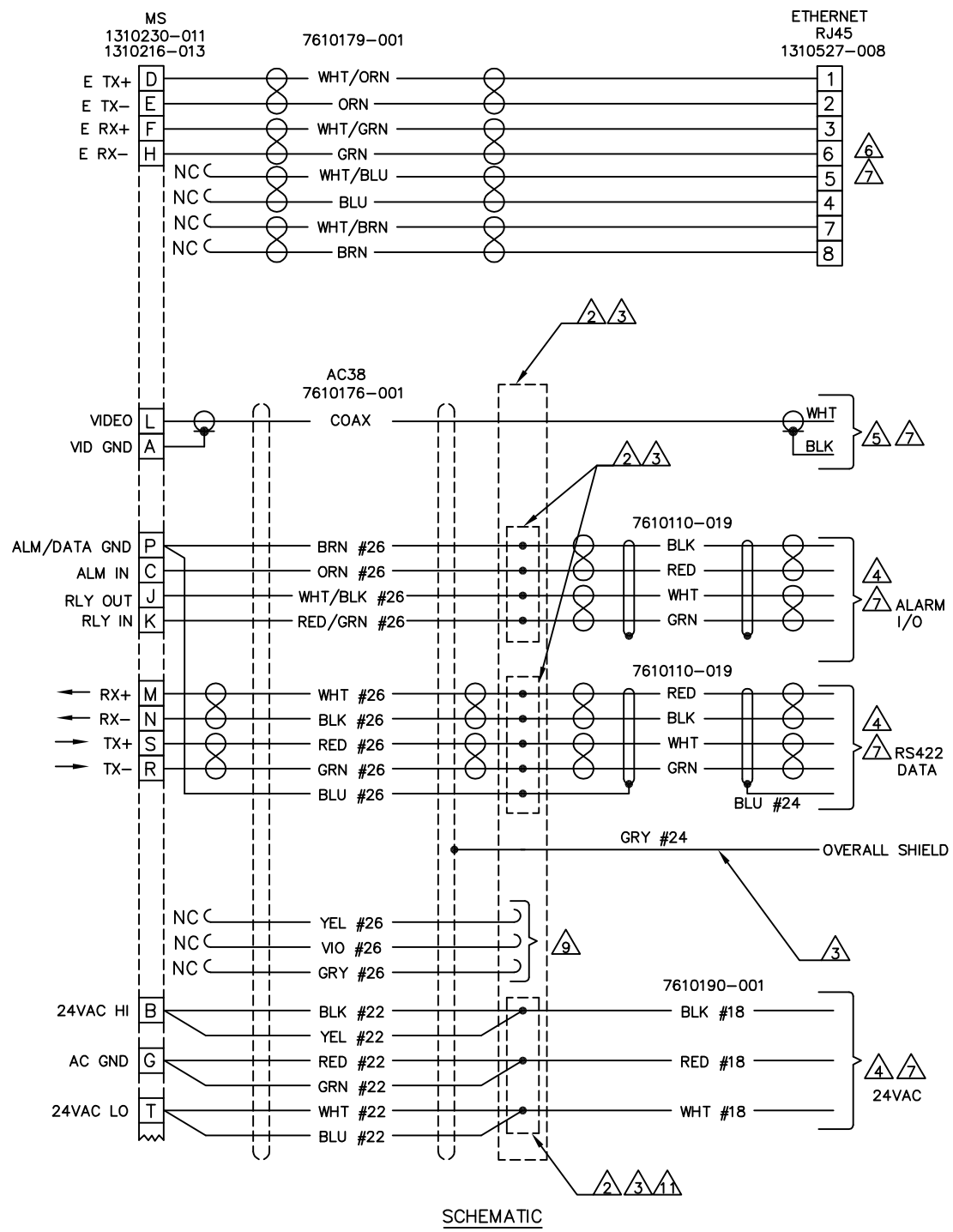
A

A

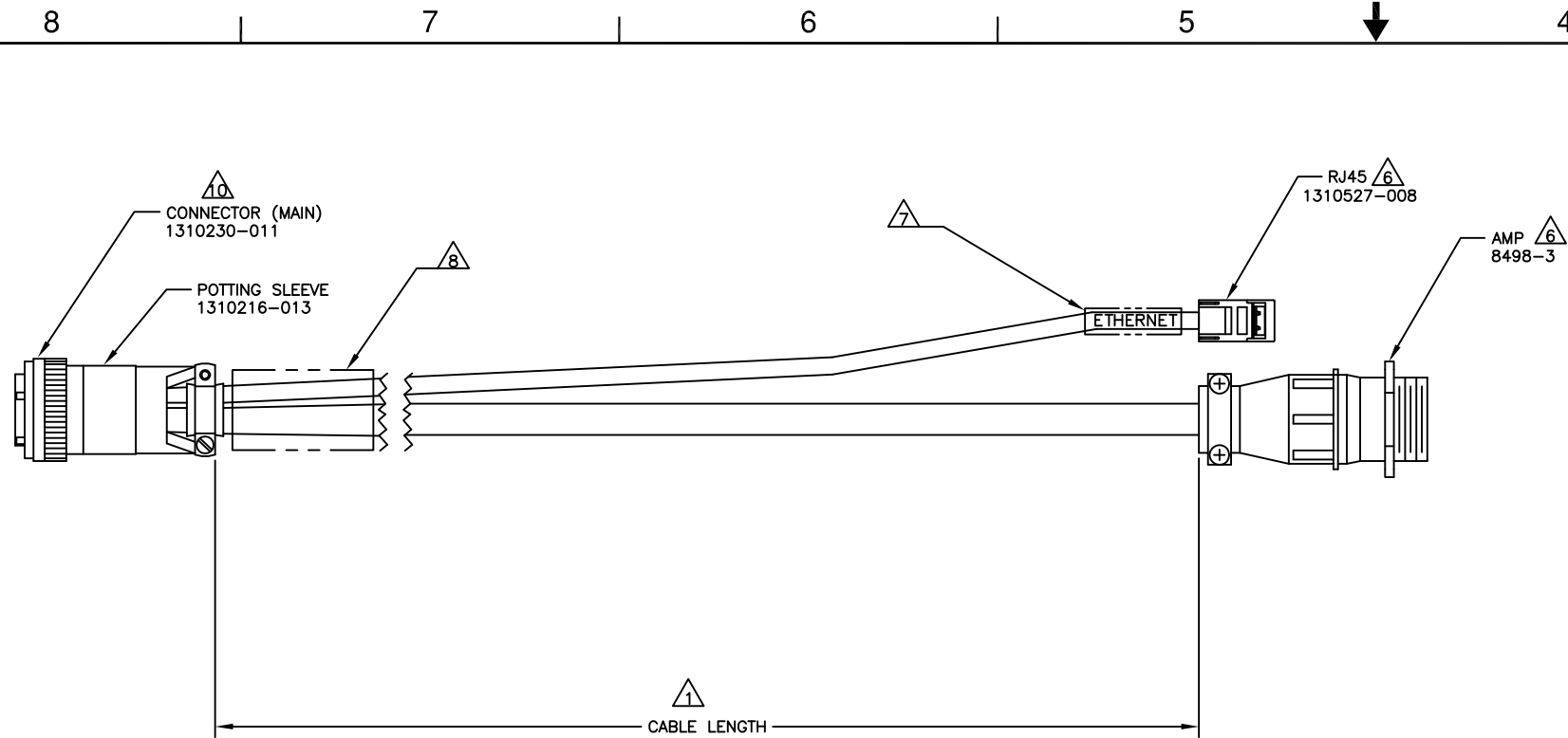


CA252G

CA 252	CONNECTOR (MAIN)	ACCESSORY	CONNECTOR RJ45
G	1310230-011	1310216-013	1310527-008

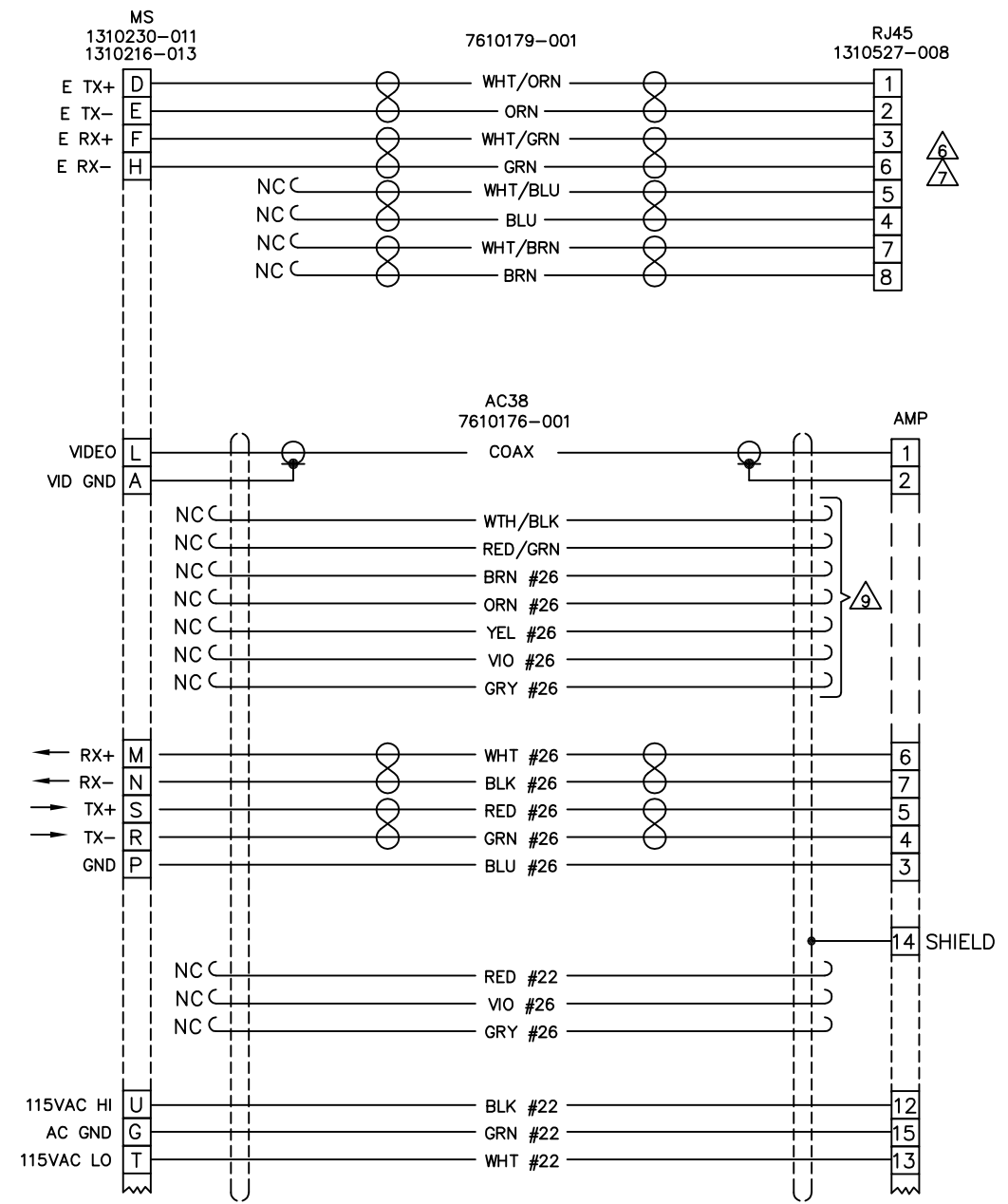


		DRAFTER M.C. 03-31-06	COHU INC. ELECTRONICS DIVISION SAN DIEGO CALIFORNIA			
		CHECKER N.T.				
		APPD	CABLE ASSEMBLY CA252 SERIES			
		APPD				
		RELEASE ECN K063				
		DO NOT SCALE DRAWING	SIZE D	CODE IDENT NO. 05157	7411252	K
REF		7411996	SCALE SCALE	SHEET 4 OF 11	REV	



CA252H

CA 252	CONNECTOR (MAIN)	ACCESSORY	CONNECTOR (AMP)	ACCESSORY	ACCESSORY	CONNECTOR RJ45
H	1310230-011	1310216-013	1310306-010	1310307-103 (CLAMP)	1310308-001 (6 CONTACTS) (1,2,12,13,14,15) 1310308-007 (5 CONTACTS) (3,4,5,6,7)	1310527-008



SCHMATIC

DRAFTER M.C. 03-31-06		COHU INC. ELECTRONICS DIVISION SAN DIEGO CALIFORNIA	
CHECKER N.T.			
APPD		CABLE ASSEMBLY CA252 SERIES	
APPD			
RELEASE ECN K063			
DO NOT SCALE DRAWING		SIZE	CODE IDENT NO.
REF	7411996	D	05157
DASH	REQD	NEXT ASSEMBLY	
		SCALE NONE	SHEET 5 OF 11

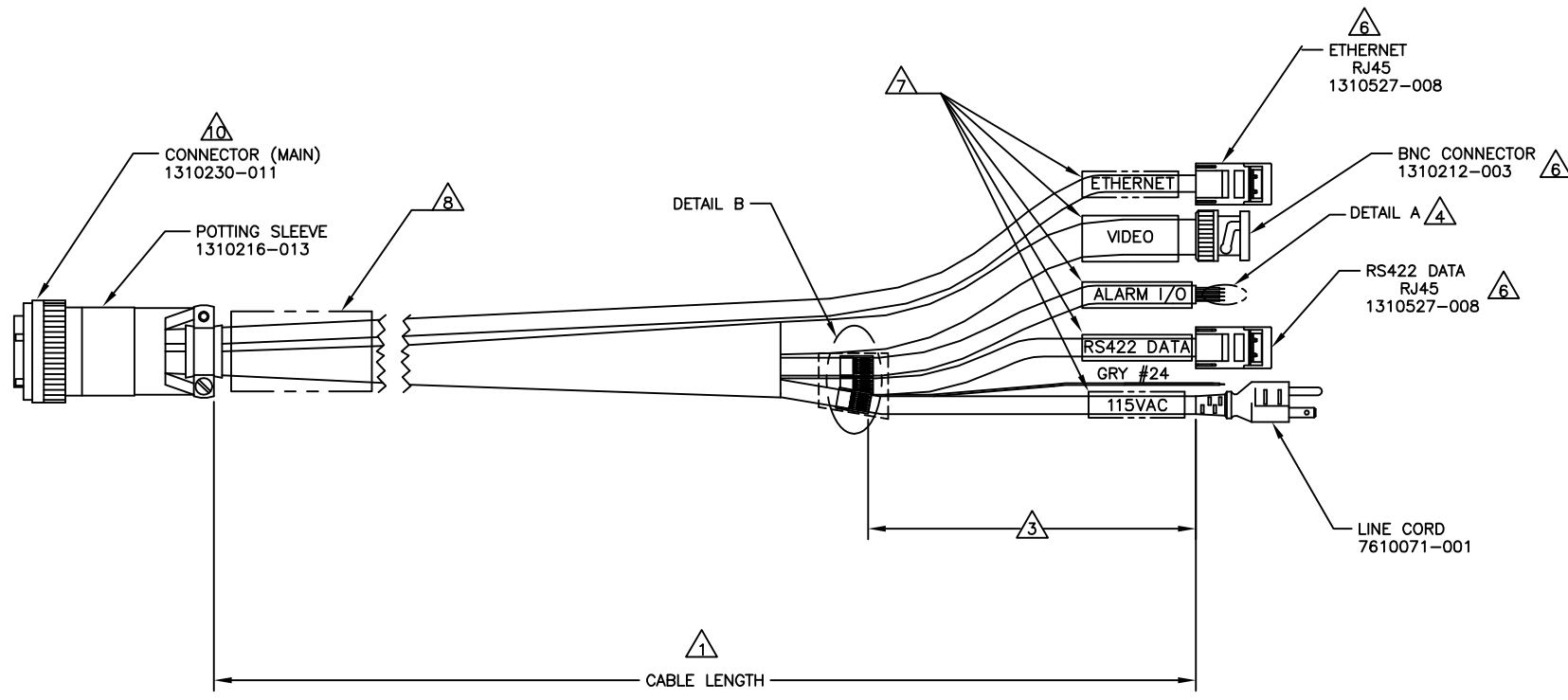
7411252 K

D

C

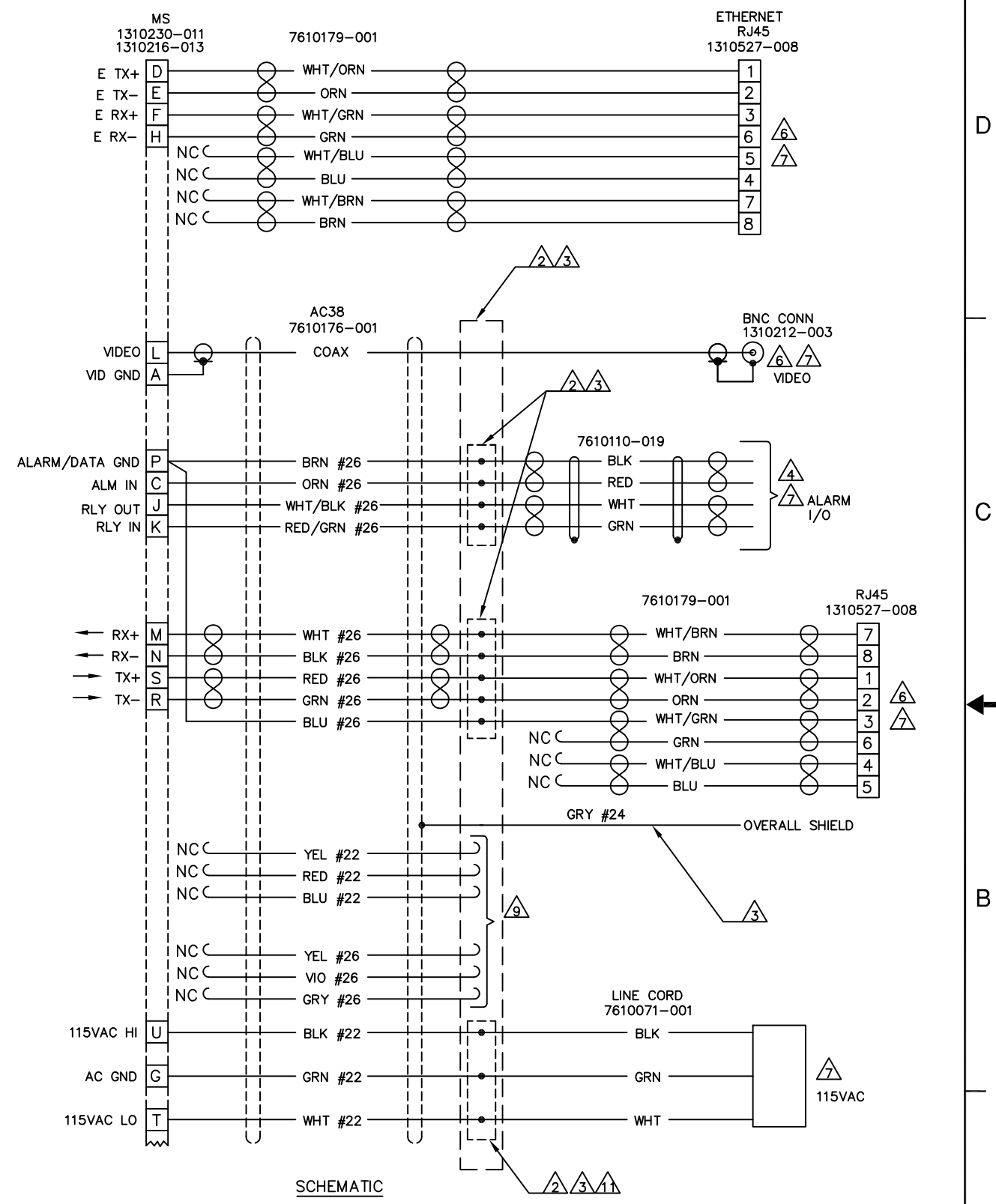
B

A



CA252M

CA 252	CONNECTOR (MAIN)	ACCESSORY	CONNECTOR (BNC)	CONNECTOR RJ45	CONNECTOR RJ45	LINE CORD
M	1310230-011	1310216-013	1310212-003	1310527-008	1310527-008	7610071-001

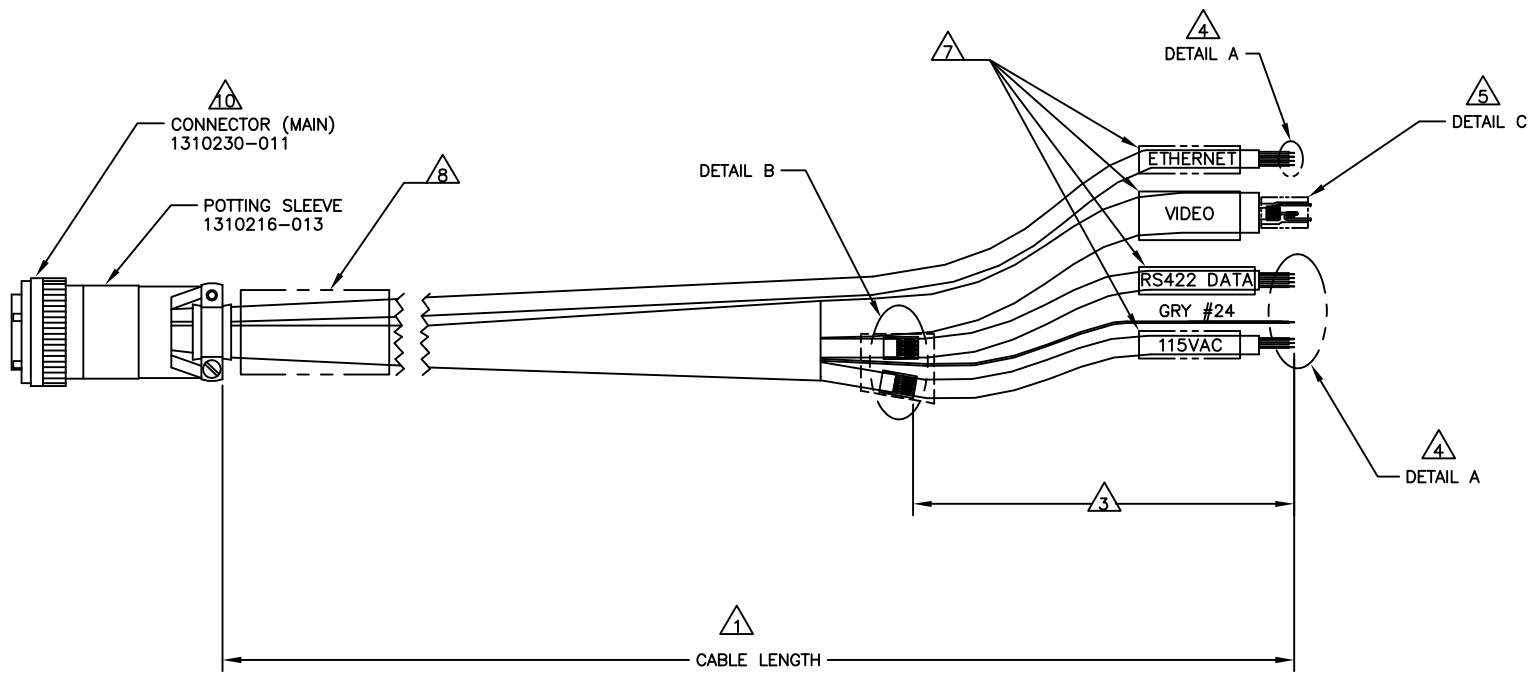


SCHEMATIC

DRAFTER M.C. 03-31-06		COHU INC. ELECTRONICS DIVISION SAN DIEGO CALIFORNIA			
CHECKER T.R.					
APPD		CABLE ASSEMBLY CA252 SERIES			
APPD					
RELEASE ECN K063					
DO NOT SCALE DRAWING		SIZE D	CODE IDENT NO. 05157	7411252	K
REF	7411996	SCALE NONE		SHEET 6 OF 11	REV
DASH	REQD	NEXT ASSEMBLY			

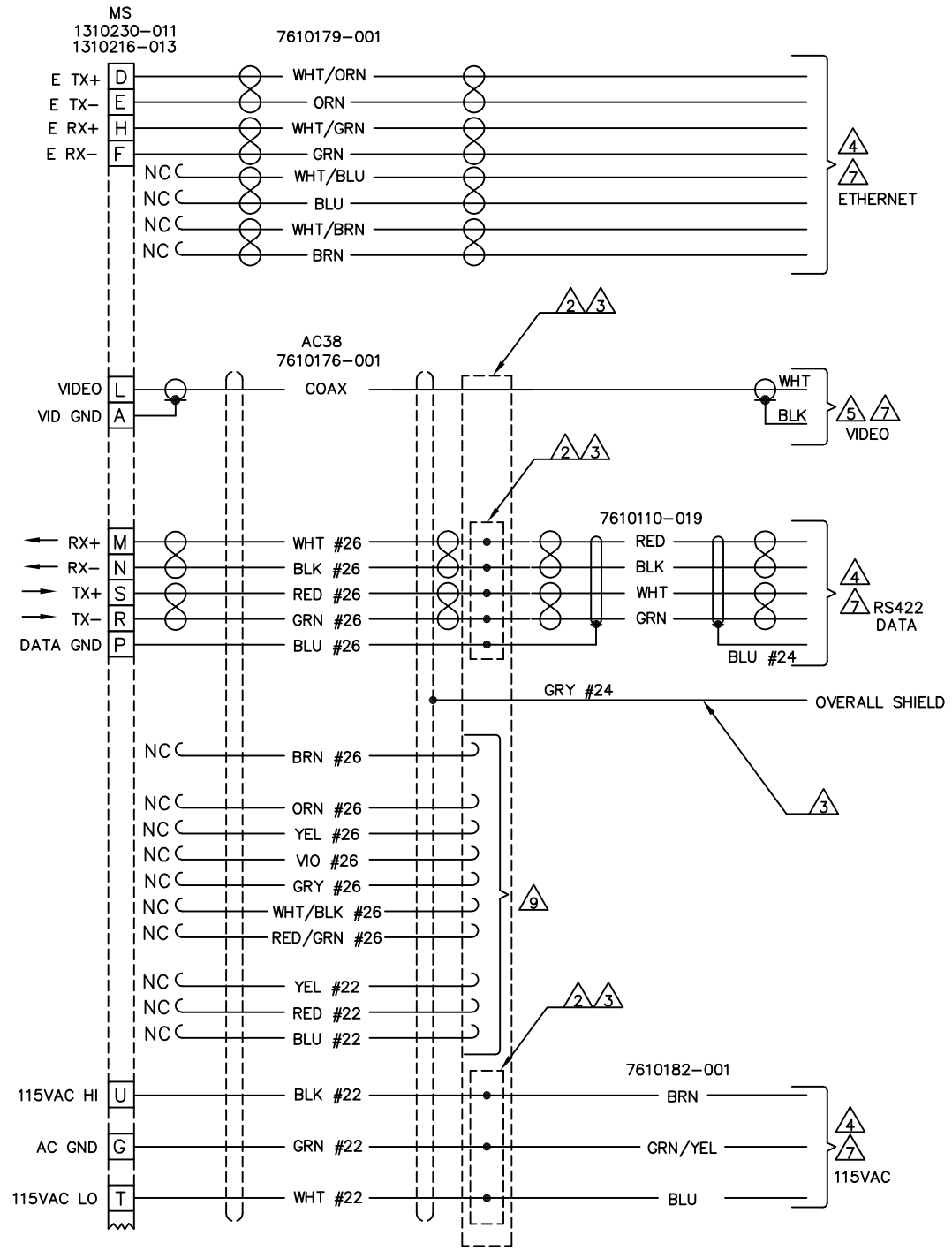
8 7 6 5 4 3 2 1

D
C
B
A



CA252P

CA 252	CONNECTOR (MAIN)	ACCESSORY
P	1310230-011	1310216-013



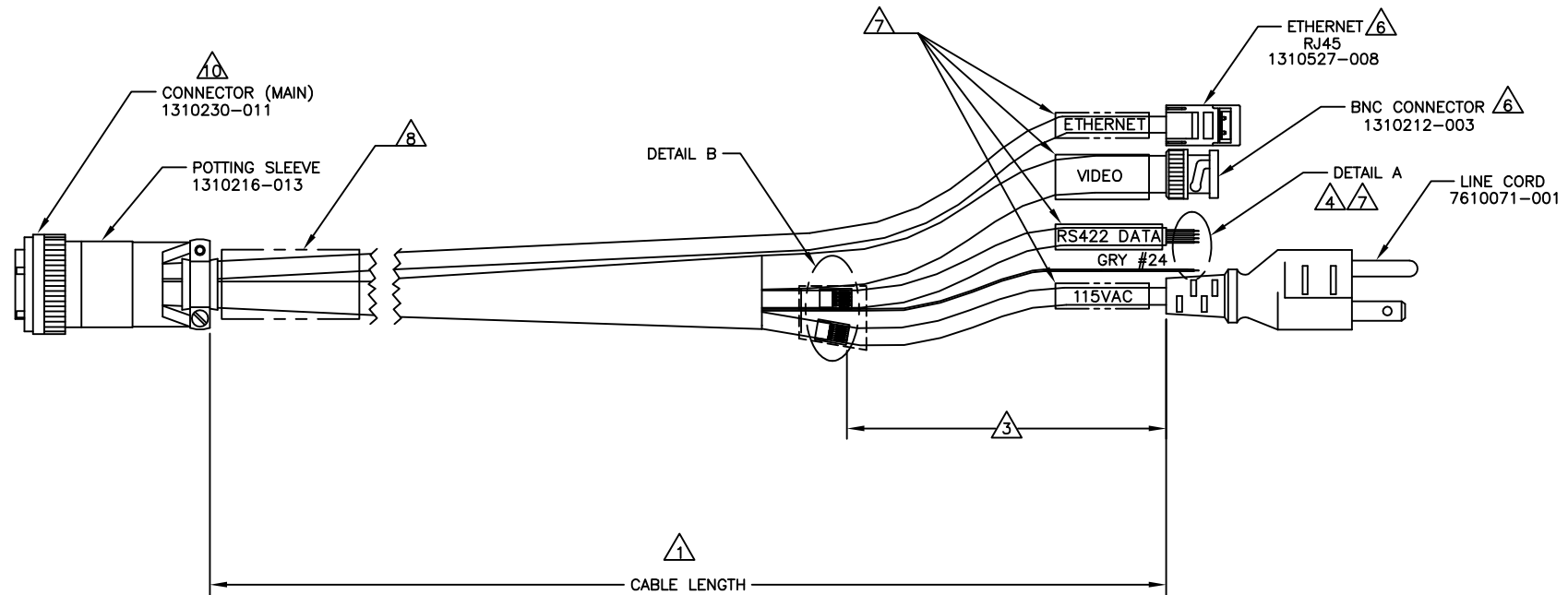
SCHEMATIC

DRAFTER M.C. 03-31-06		COHU INC. ELECTRONICS DIVISION SAN DIEGO CALIFORNIA			
CHECKER N.T.					
APPD		CABLE ASSEMBLY CA252 SERIES			
APPD					
RELEASE ECN K063					
DO NOT SCALE DRAWING		SIZE D	CODE IDENT NO. 05157	7411252	K
REF	7411996	SCALE	SCALE	SHEET 7 OF 11	REV
DASH	REQD	NEXT ASSEMBLY			



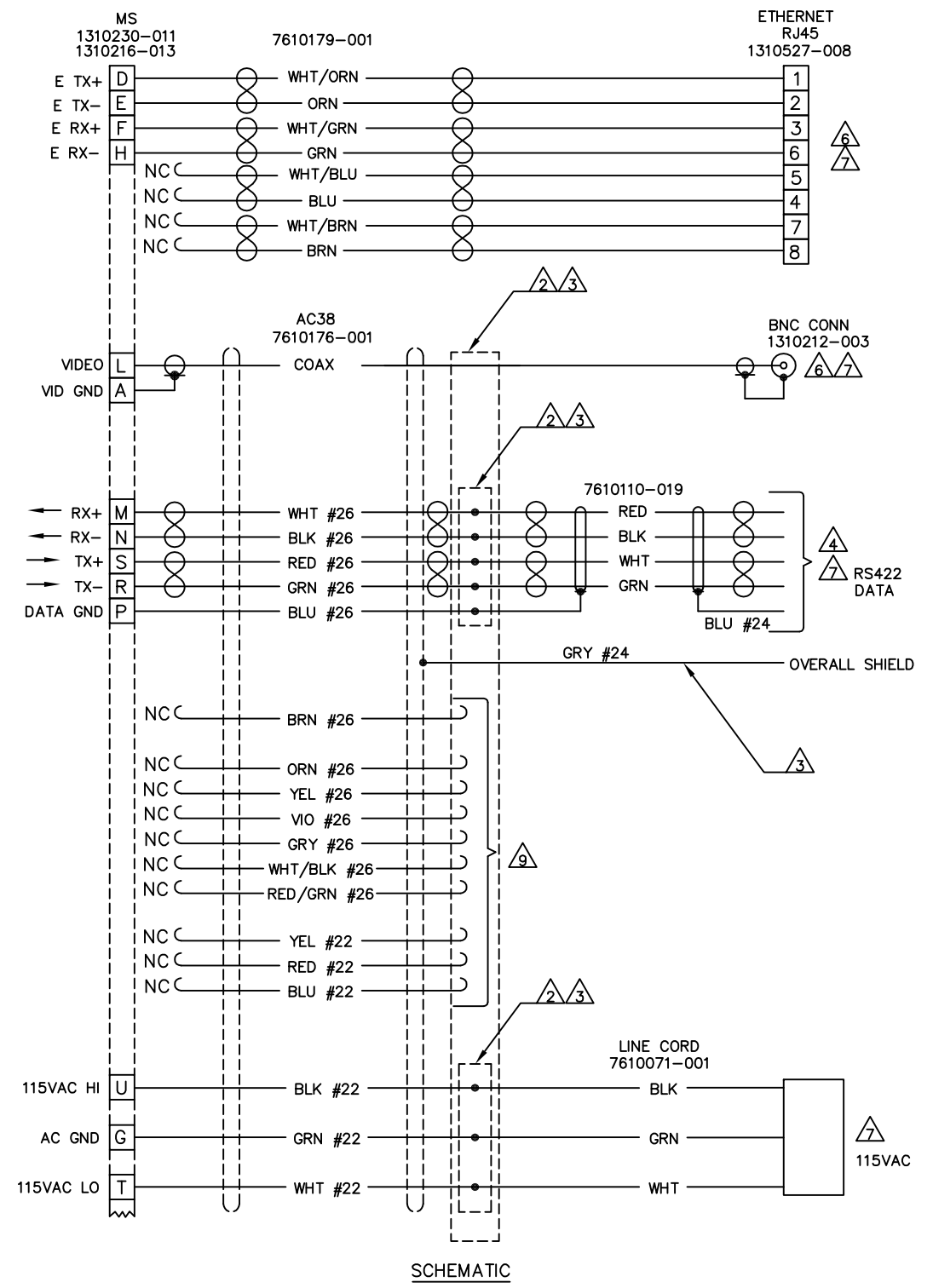
8 7 6 5 4 3 2 1

D
C
B
A



CA252Q

CA 252	CONNECTOR (MAIN)	ACCESSORY	CONNECTOR RJ-45	CONNECTOR (BNC)	LINE CORD
Q	1310230-011	1310216-013	1310527-008	1310212-003	7610071-001



SCHEMATIC

DRAFTER M.C. 03-31-06		COHU INC. ELECTRONICS DIVISION SAN DIEGO CALIFORNIA	
CHECKER N.T.			
APPD		CABLE ASSEMBLY CA252 SERIES	
APPD			
RELEASE ECN K063			
DO NOT SCALE DRAWING		SIZE	CODE IDENT NO.
REF	7411996	D	05157
DASH	REQD	NEXT ASSEMBLY	
		SCALE	SCALE
		SHEET 8 OF 11	
		REV	K

D
C
B
A



8

7

6

5

4

3

2

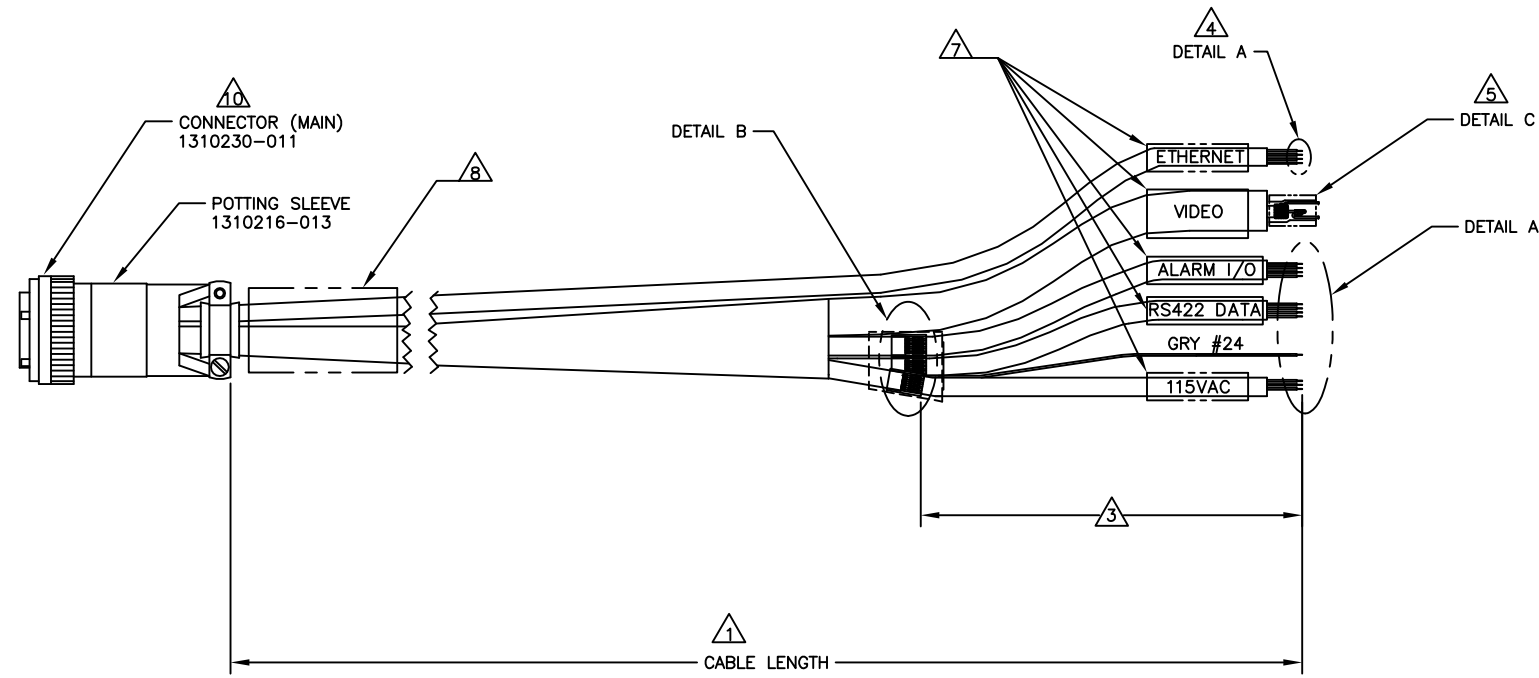
1

D

C

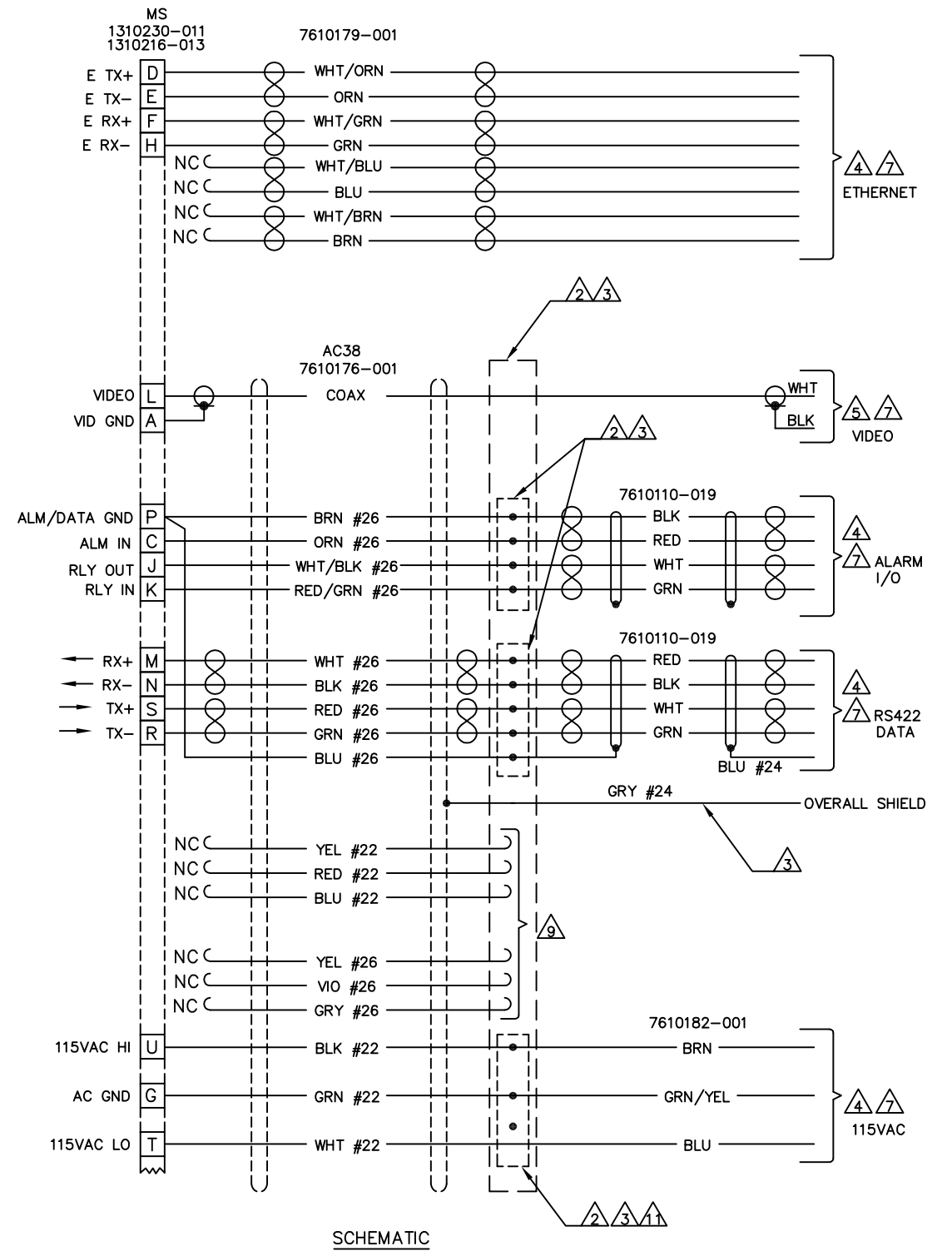
B

A



CA252R

CA 252	CONNECTOR (MAIN)	ACCESSORY
R	1310230-011	1310216-013



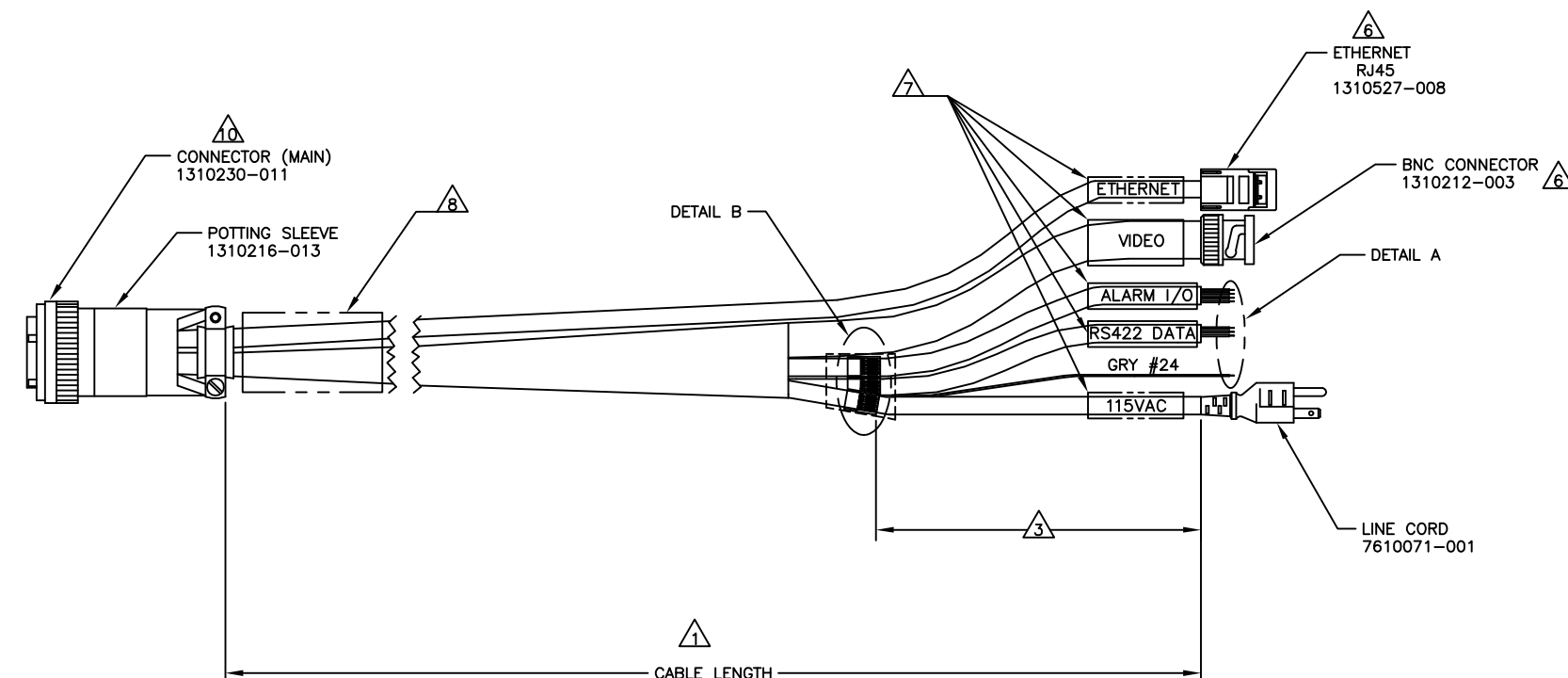
SCHEMATIC

		DRAFTER M.C. 03-31-06	COHU INC. ELECTRONICS DIVISION SAN DIEGO CALIFORNIA		
		CHECKER N.T.			
		APPD	CABLE ASSEMBLY CA252 SERIES		
		APPD			
		RELEASE ECN K063			
		DO NOT SCALE DRAWING	SIZE	CODE IDENT NO.	
REF	7411996		D	05157	7411252 K
DASH	REQD	NEXT ASSEMBLY	SCALE	NONE	SHEET 9 OF 11 REV



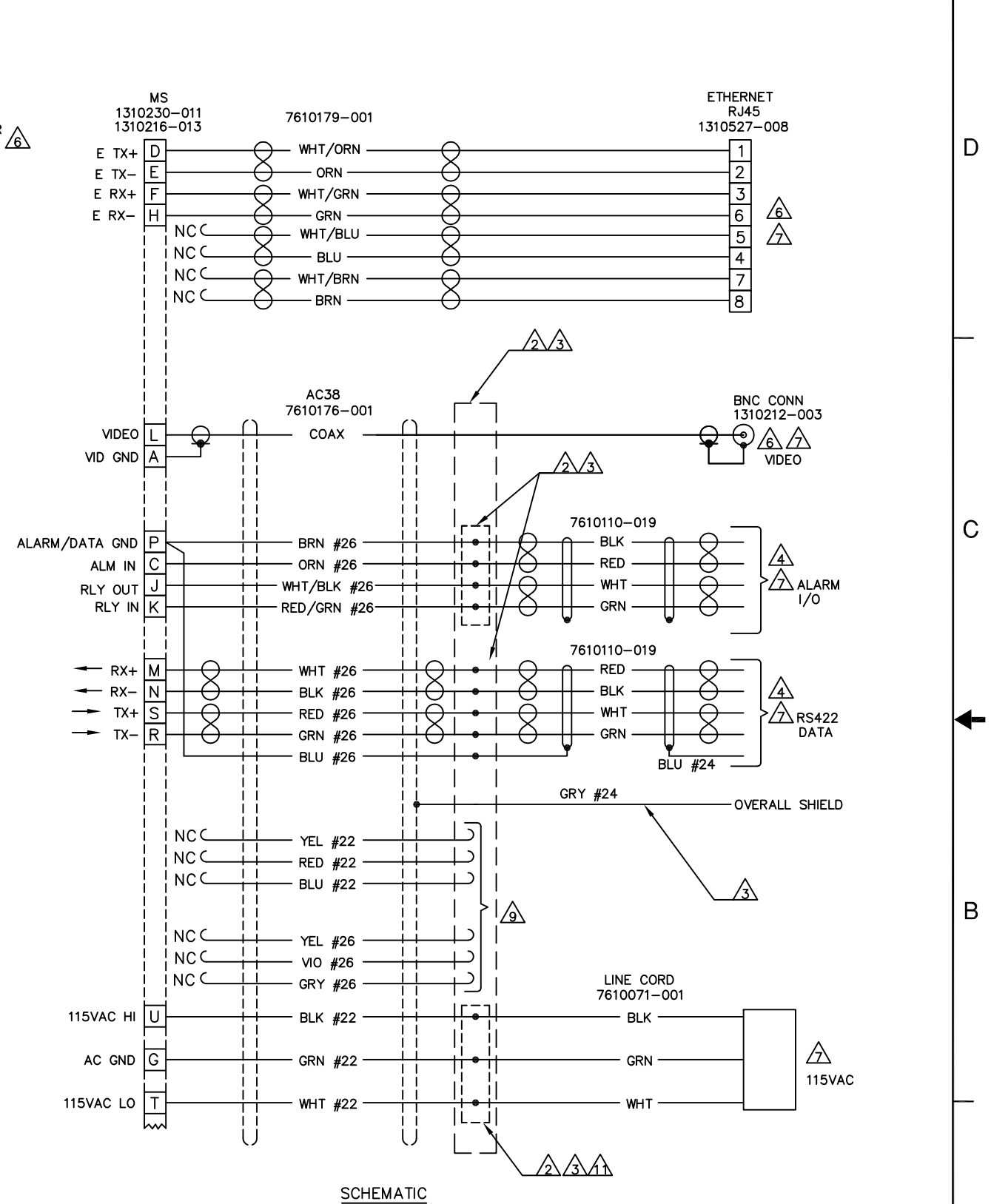
8 7 6 5 4 3 2 1

D
C
B
A



CA252S

CA 252	CONNECTOR (MAIN)	ACCESSORY	CONNECTOR RJ45	CONNECTOR (BNC)	LINE CORD
S	1310230-011	1310216-013	1310527-008	1310212-003	7610071-001



SCHEMATIC

DRAFTER M.C. 03-31-06		COHU INC. ELECTRONICS DIVISION SAN DIEGO CALIFORNIA	
CHECKER N.T.			
APPD		CABLE ASSEMBLY CA252 SERIES	
APPD			
RELEASE ECN K063			
DO NOT SCALE DRAWING		SIZE	CODE IDENT NO.
REF	7411996	D	05157
DASH	REQD	NEXT ASSEMBLY	
		SCALE NONE	SHEET 10 OF 11
			REV K

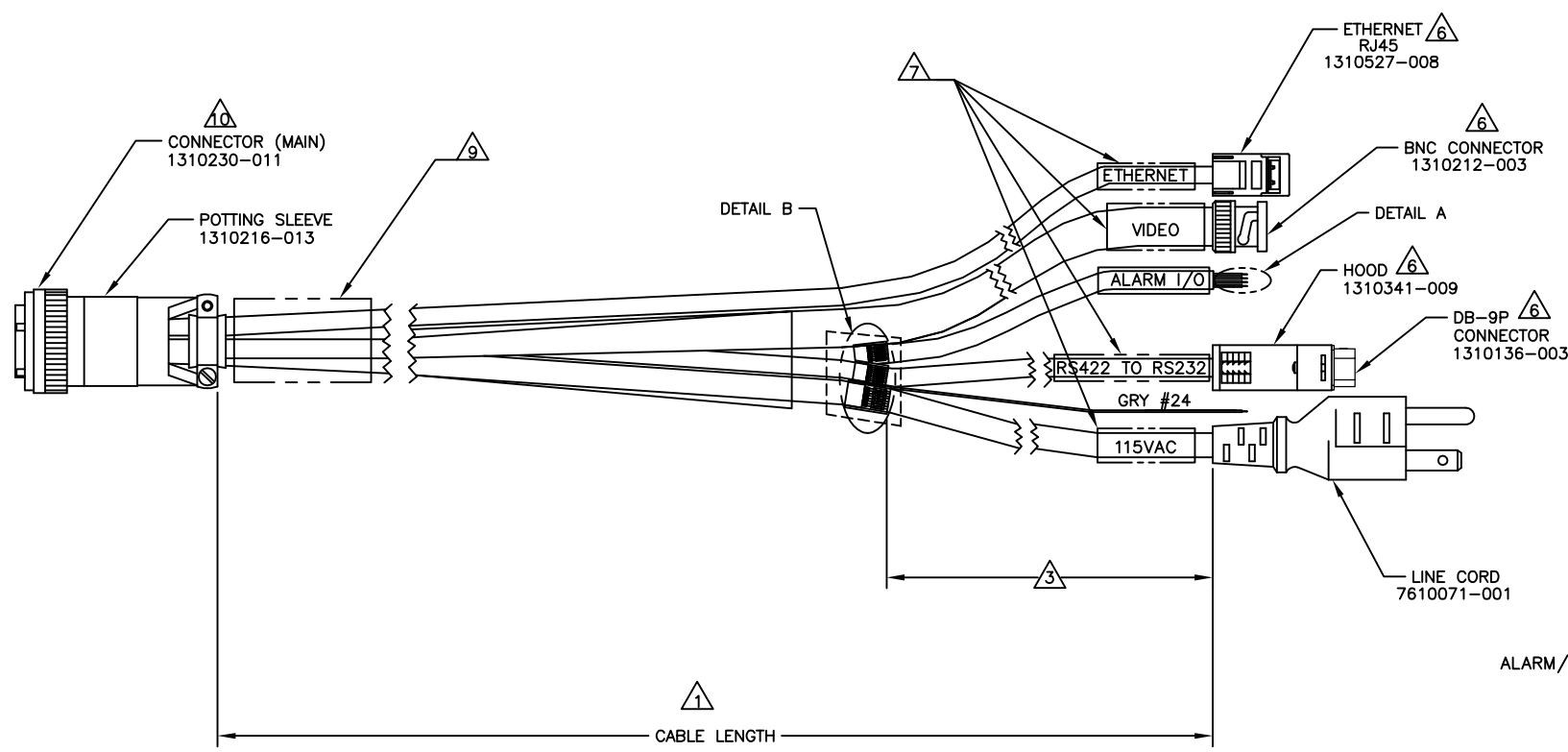


D

C

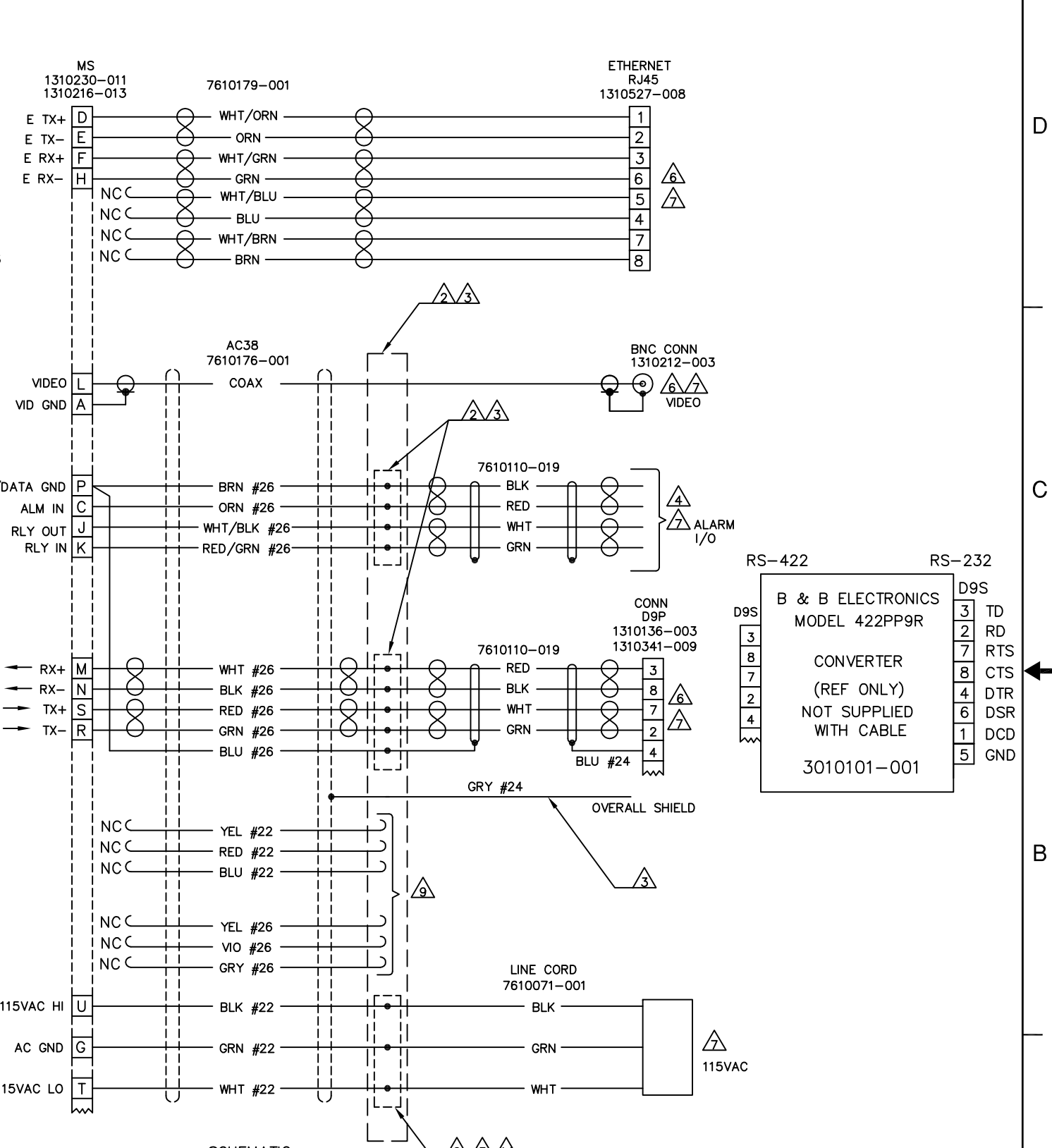
B

A



CA252T

CA 252	CONNECTOR (MAIN)	ACCESSORY	CONNECTOR (BNC)	CONNECTOR RJ45	LINE CORD	CONNECTOR D9P	ACCESSORY
T	1310230-011	1310216-013	1310212-003	1310527-008	7610071-001	1310136-003	HOOD 1310341-009 (STRAIGHT)



SCHEMATIC

DRAFTER M.C. 03-31-06		COHU INC. ELECTRONICS DIVISION SAN DIEGO CALIFORNIA			
CHECKER T.R.					
APPD		CABLE ASSEMBLY CA252 SERIES			
APPD					
RELEASE ECN K063					
DO NOT SCALE DRAWING		SIZE D	CODE IDENT NO. 05157	7411252	K
REF 7411996		SCALE NONE	SHEET 11 OF 11	REV	