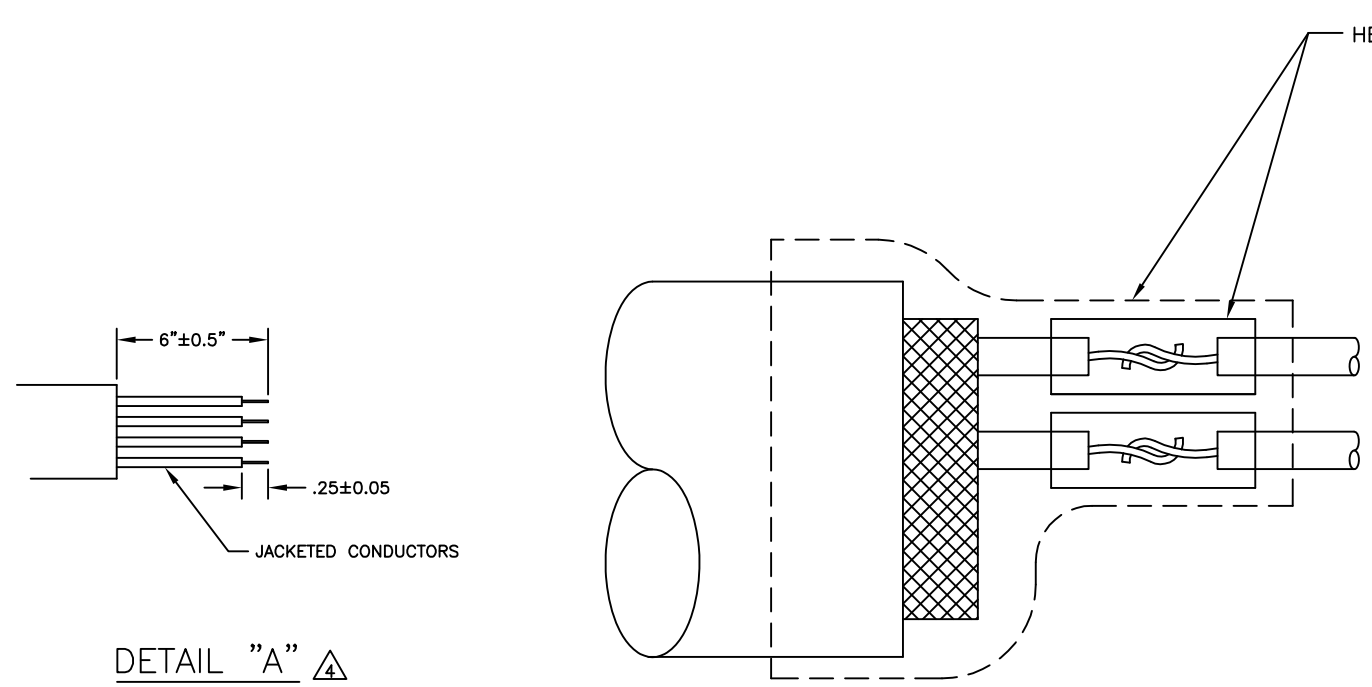
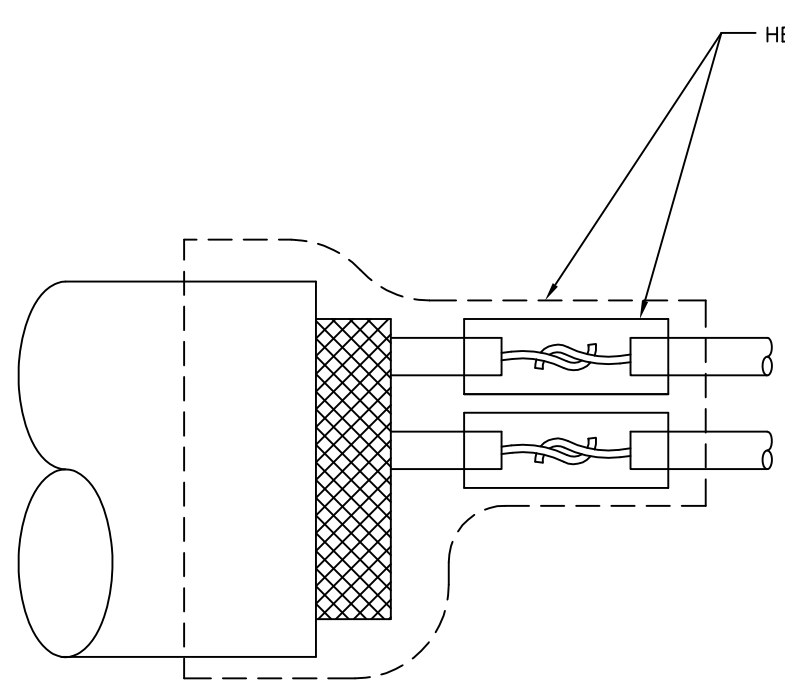


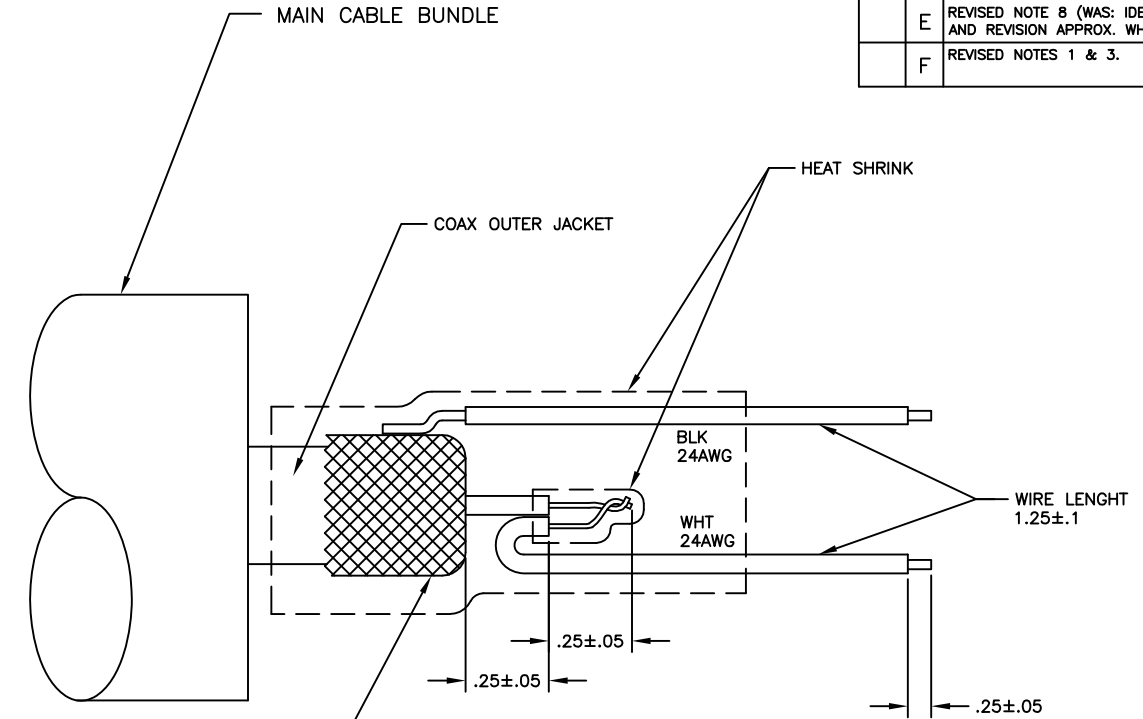
REVISIONS					
ZONE	LTR	DESCRIPTION	DATE	APPROVED	
A		INITIAL RELEASE.	01-08-10 M.C.	DD	
B		PICTURE CHANGE CA255T-1310136-003 WAS 3010101-001.	ECO 030508 ECO 030574	3-10-10 M.C.	RDL
C		PICTURE CHANGE - ADDED ACCESSORY 1310216-013. SH4,SH5,SH6 - AT SCHEMATIC ADDED BNC CONNECTOR PART NUMBER. SH6 - AT SCHEMATIC ADDED D9P CONNECTOR PART NUMBER AND ACCESSORY PART NUMBER.	ECO 030625	9-09-10 M.C.	TR
D		DWG WAS 6 SHEETS - ADDED CA255C AND CA255D.	ECO 031119	11-21-11 M.C.	MN
E		REVISED NOTE 8 (WAS: IDENTIFY WITH PART NUMBER AND REVISION APPROX. WHERE SHOWN).	ECO 031159	01-10-12 M.C.	MN
F		REVISED NOTES 1 & 3.	ECO 031171	01-19-12 M.C.	MN



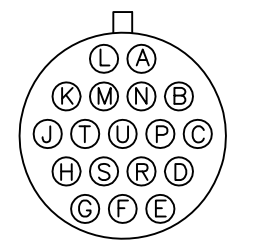
DETAIL "A" Δ
WIRE TERMINATION



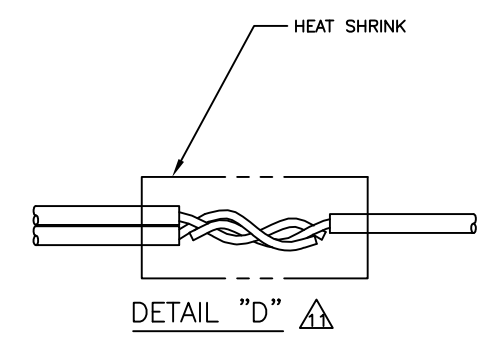
DETAIL "B" Δ
PIGTAIL SPLICE



DETAIL "C" Δ
COAX TERMINATION



1310230-011
VIEWED FROM
WIRING END



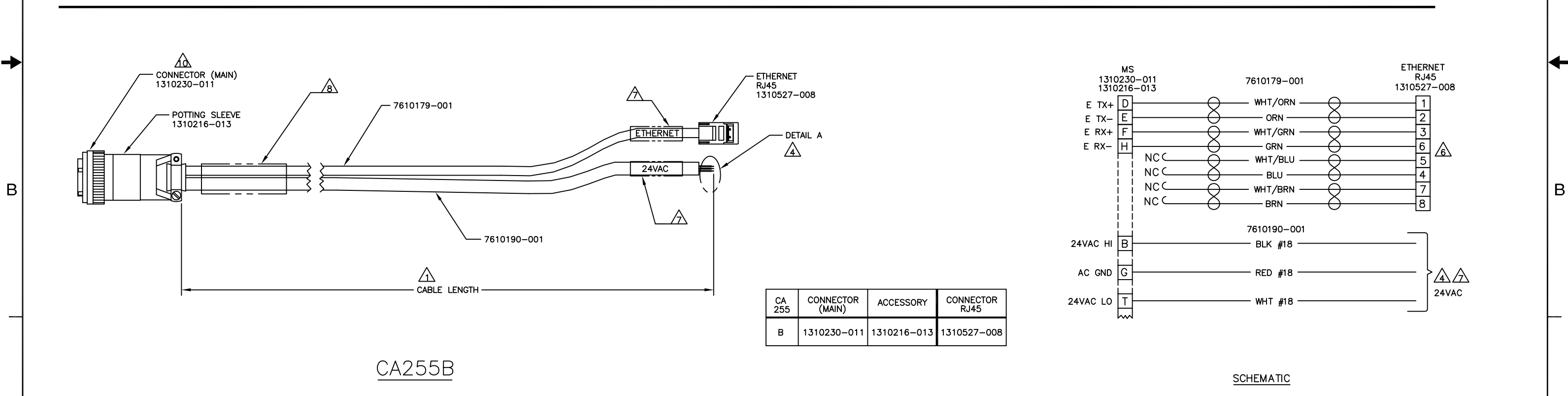
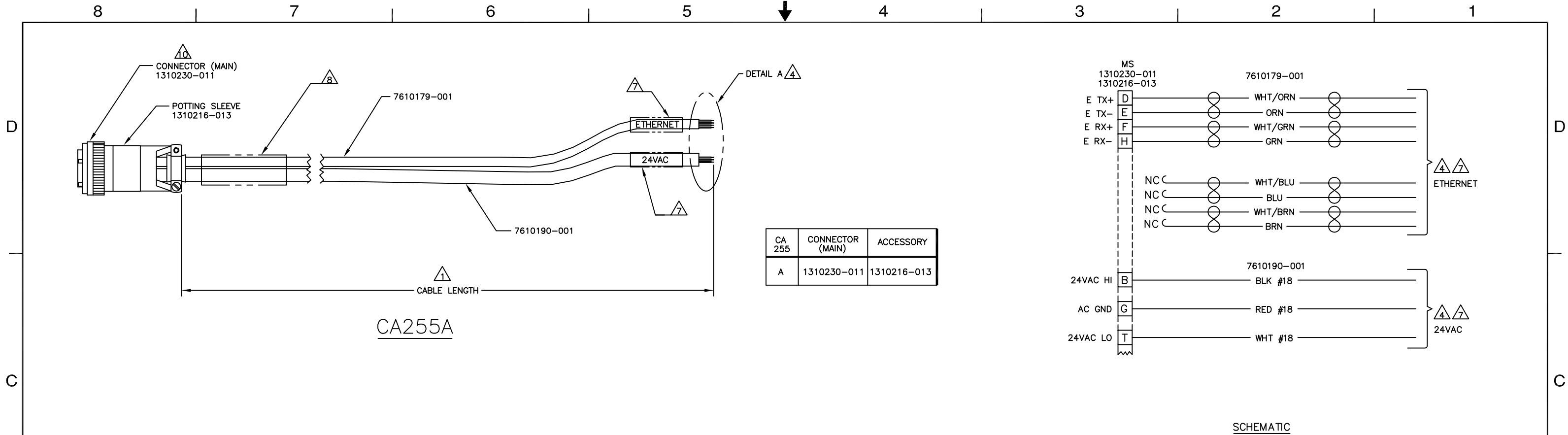
DETAIL "D" Δ
PARALLEL TERMINATION

- Δ 1 TERMINATE TWO PARALLEL CONDUCTORS INTO A SINGLE CONDUCTOR AS SHOWN.
- Δ 10 POT MAIN CONNECTOR PER MM-81.
- Δ 9 UNUSED WIRE TO BE CUT FLUSH W/ OUTER JACKET AND COVERED BY HEAT SHRINK.
- Δ 8 IDENTIFY WITH THE 'CAxxxx' CABLE NUMBER AS INDICATED IN THIS DRAWING, THE REVISION OF THIS DRAWING, AND THE SPECIFIED CABLE LENGTH APPROX. WHERE SHOWN.
- Δ 7 IDENTIFY WITH NOMENCLATURE INDICATED APPROX. WHERE SHOWN.
- Δ 6 INSTALL CONNECTORS PER MFR. INSTRUCTIONS.
- Δ 5 TERMINATE COAX PER DETAIL C.
- Δ 4 STRIP OUTER JACKET BACK 6" ±.5". STRIP INDIVIDUAL CONDUCTORS .25"±.05" AND TIN WIRE AS REQUIRED BY SCHEMATIC. UNUSED WIRE TO BE CUT FLUSH WITH OUTER JACKET AND COVERED BY HEAT SHRINK IF REQUIRED. SEE DETAIL A.
- Δ 3 FOR CABLE LENGTHS GREATER THAN 10 FEET: STRIP OUTER JACKET OF CABLE BUNDLE BACK 6 FEET. FOR CABLE LENGTHS LESS THAN 10 FEET: STRIP OUTER JACKET OF CABLE BACK 1/2 OF SPECIFIED LENGTH. FOR ALL CABLES: TERMINATE WIRES AS INDICATED BY SCHEMATIC.
- Δ 2 INSTALL SHRINK TUBING OVER SPLICED SOLDER JOINTS AS SHOWN IN DETAILS B & D.
- Δ 1 MAX. CABLE LENGTH: 328 FEET FOR 115VAC; 80 FEET FOR 24VAC. MINIMUM CABLE LENGTH IS 2 FEET.

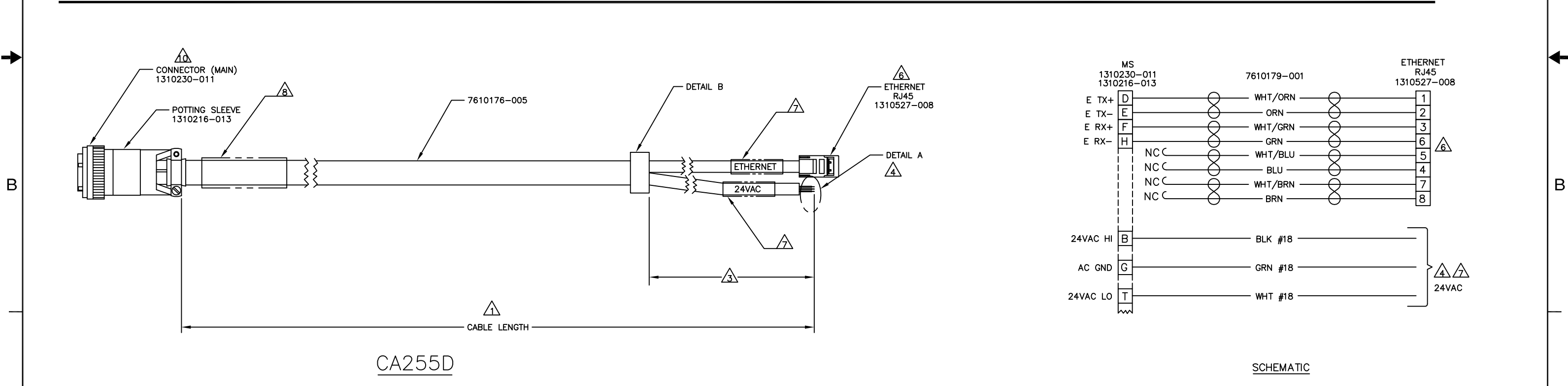
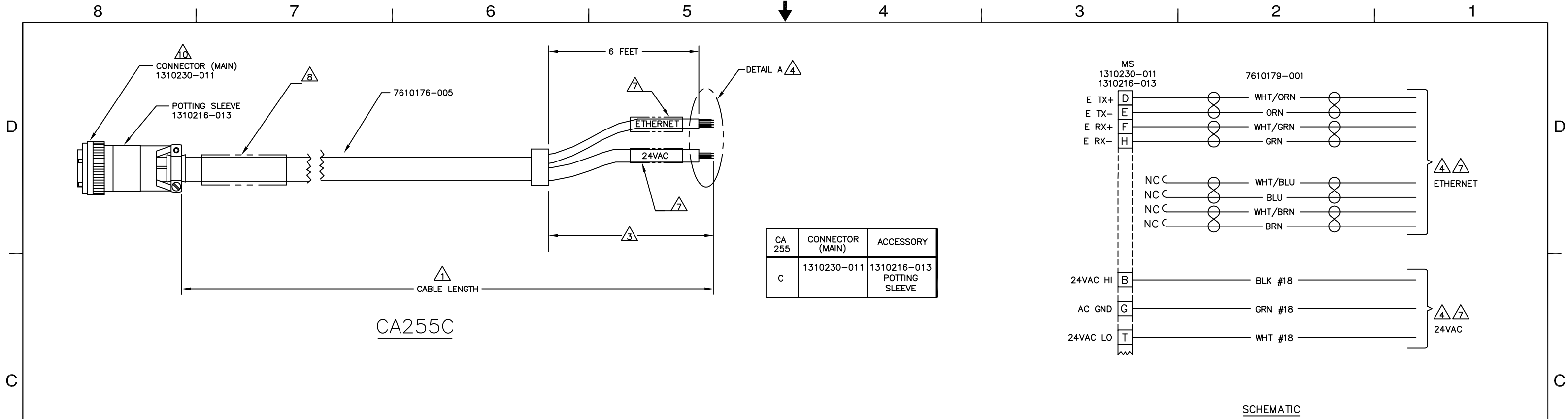
NOTES: UNLESS OTHERWISE SPECIFIED

UNLESS OTHERWISE SPECIFIED DIMENSIONS ARE IN INCHES () ARE METRIC (mm)		DRAFTER M.C. 11-12-09
TOLERANCES ARE		CHECKER D.D.
INCHES	ANGLES	APPD
.00 ±.03 (0.0) ±1.0 ±0° 30'		APPD
.000 ±.010 (0.00) ±0.25		RELEASE ECO 030508
TABLE TOLERANCES		DO NOT SCALE DRAWING
INCHES	MILLIMETERS	
.013 THRU +.004 (-.50) THRU +.10		
.125 -.001 (3.20) -.02		
.126 THRU +.008 (3.21) THRU +.13		
.250 -.001 (6.35) -.02		
.251 THRU +.006 (6.36) THRU +.16		
.500 -.001 (12.70) -.02		
.501 THRU +.008 (12.71) THRU +.20		
.750 -.001 (20.0) -.02		
REF 7411996	MATERIAL	
DASH REQD	NEXT ASSEMBLY	FINISH

COHU INC.		ELECTRONICS DIVISION SAN DIEGO CALIFORNIA	
CABLE ASSEMBLY CA255			
SIZE	CODE IDENT NO.	7411255	F
D	05157		
SCALE NONE	SHEET 1 OF 7	REV	



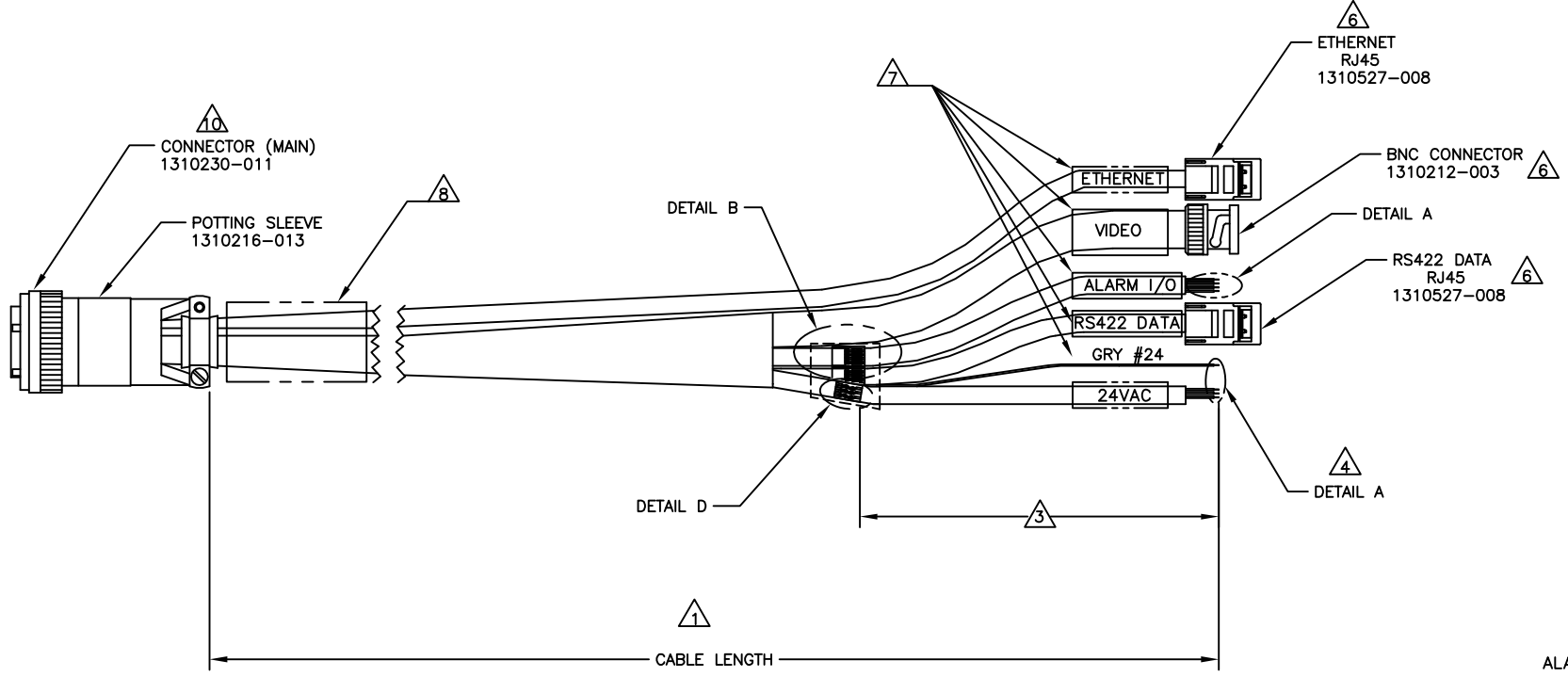
DRAFTER M.C. 11-11-09		ELECTRONICS DIVISION	
CHECKER D.D.		SAN DIEGO CALIFORNIA	
APPD		<p>CABLE ASSEMBLY CA255</p>	
APPD			
RELEASE ECO 030508			
DO NOT SCALE DRAWING	SIZE	CODE IDENT NO.	REV
	D	05157	7411255 F
	SCALE NONE	SHEET 2 OF 7	REV



DRAFTER M.C. 11-11-09	COHU INC	ELECTRONICS DIVISION	
CHECKER D.D.		SAN DIEGO CALIFORNIA	
APPD	CABLE ASSEMBLY CA255		
APPD			
RELEASE ECO 030508	DO NOT SCALE DRAWING		
SIZE D	CODE IDENT NO. 05157	7411255	F
SCALE NONE	SHEET 3 OF 7		REV

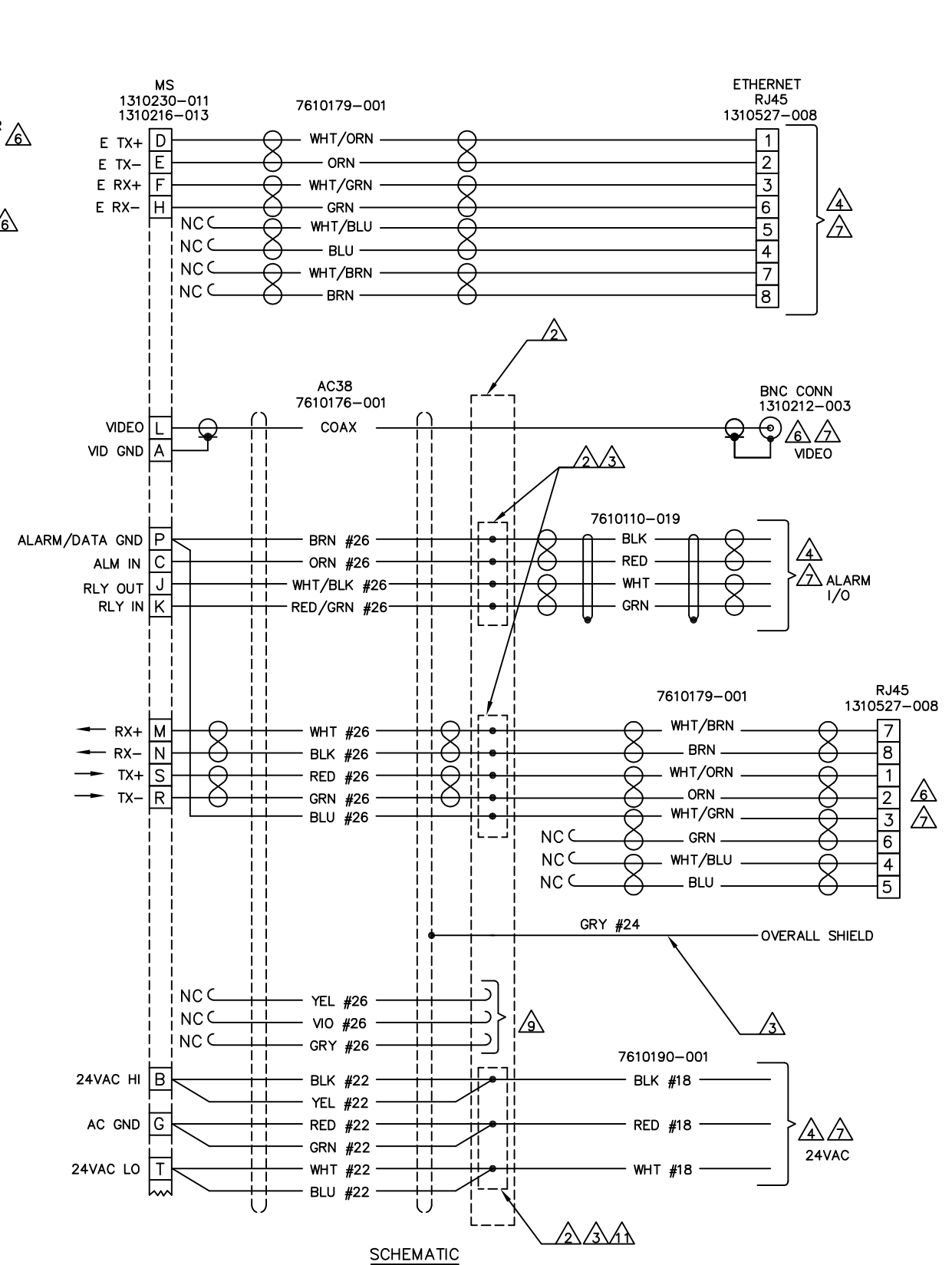
8 7 6 5 4 3 2 1

D
C
B
A



CA255M

CA 255	CONNECTOR (MAIN)	ACCESSORY	CONNECTOR RJ45	CONNECTOR (BNC)	RS422 DATA RJ45
M	1310230-011	1310216-013	1310527-008	1310212-003	1310527-008



SCHEMATIC

DRAFTER M.C. 11-12-09	COHU INC	ELECTRONICS DIVISION	
CHECKER T.R.		SAN DIEGO CALIFORNIA	
APPD		CABLE ASSEMBLY CA255	
APPD			
RELEASE ECO 030508			
DO NOT SCALE DRAWING			
SIZE	CODE IDENT NO.	7411255	F
D	05157		
SCALE NONE	SHEET 4 OF 7	REV	



8

7

6

5

4

3

2

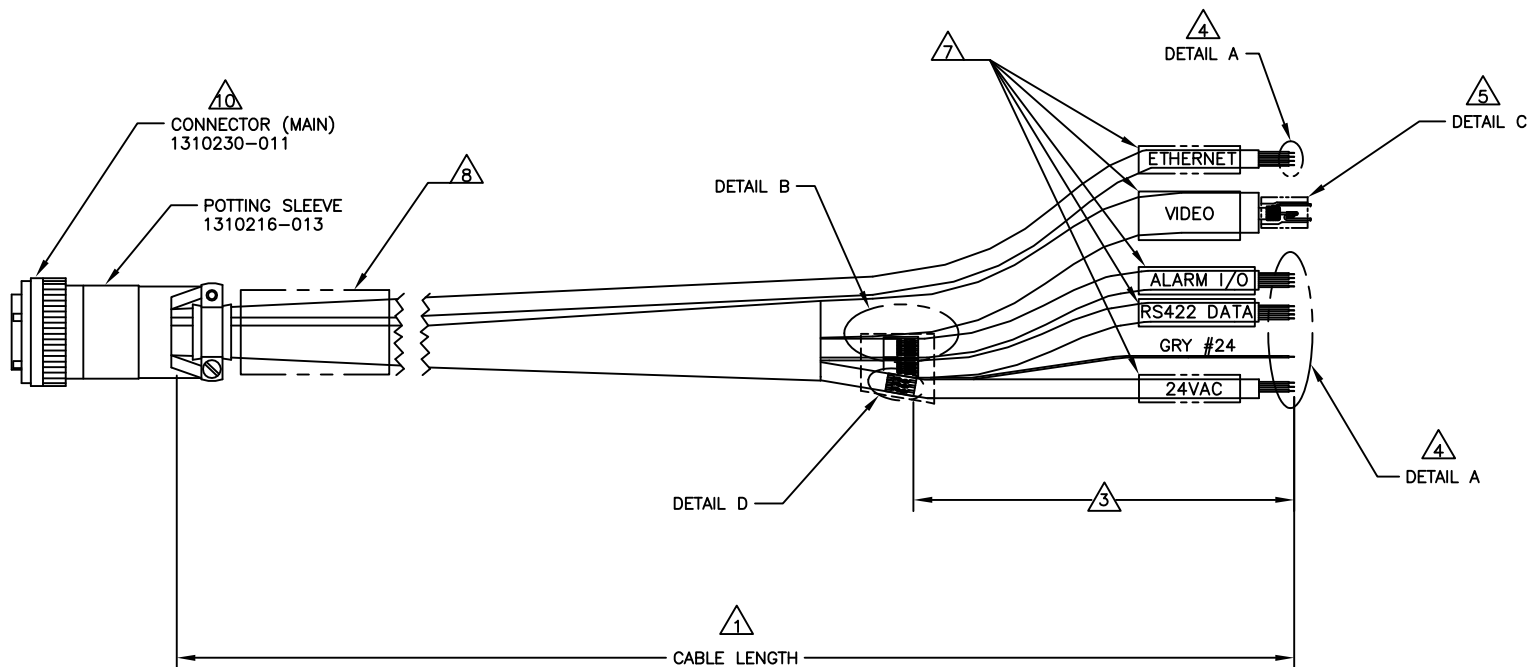
1

D

C

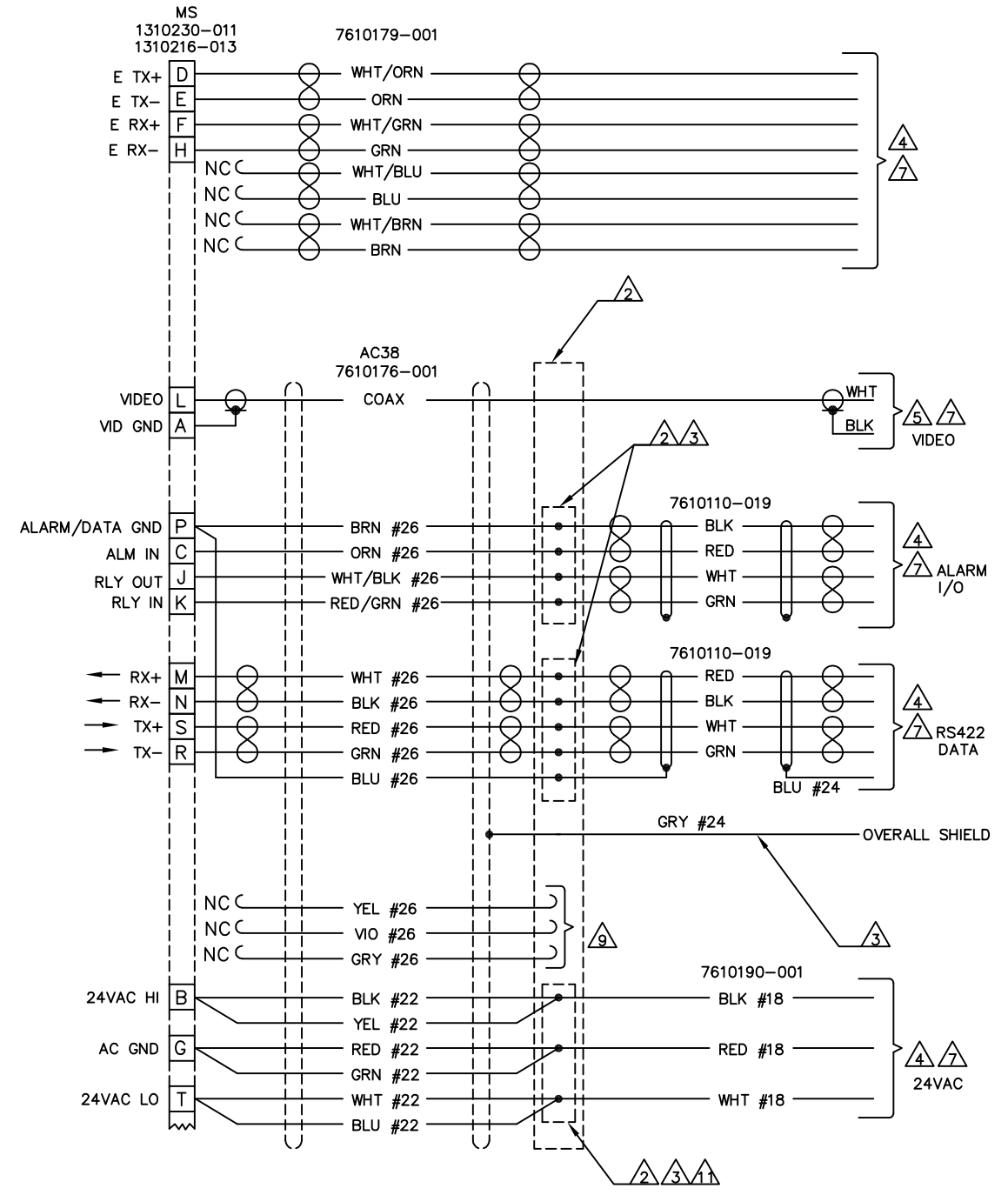
B

A



CA255R

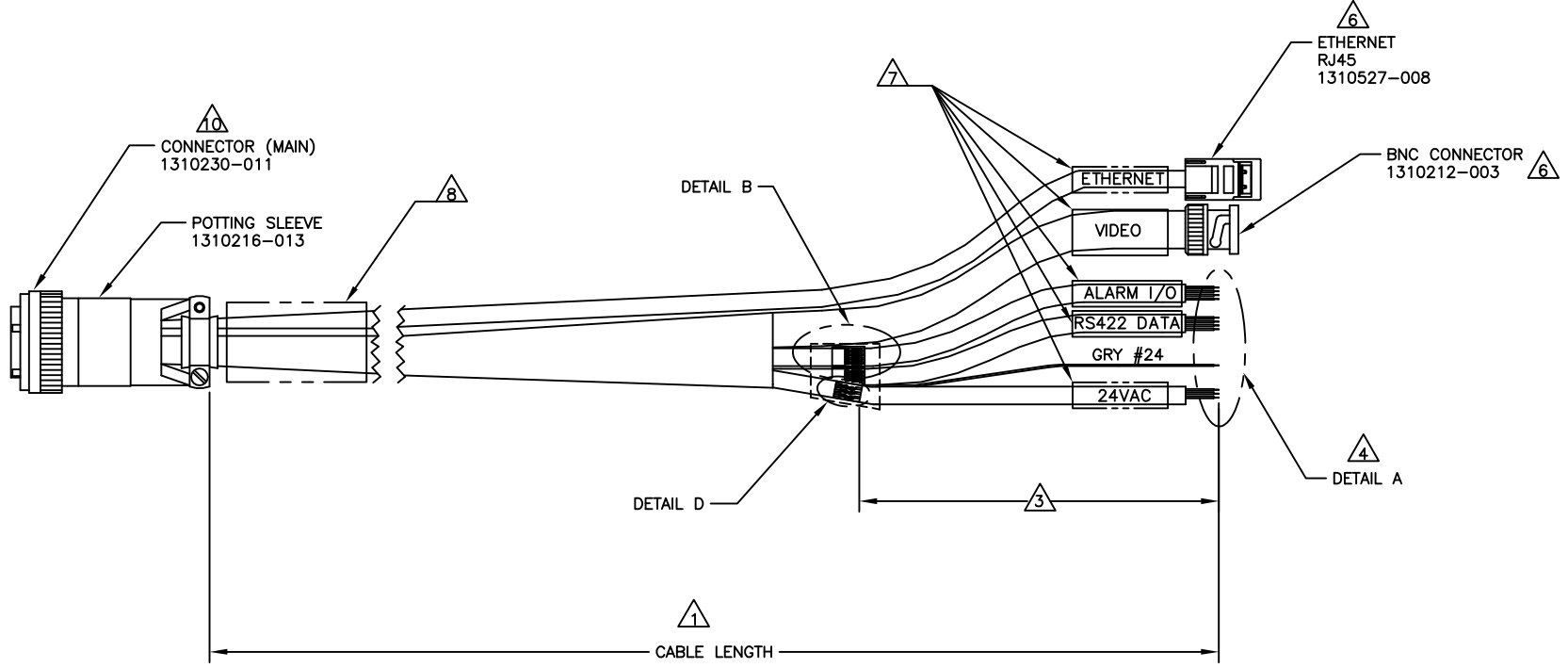
CA 255	CONNECTOR (MAIN)	ACCESSORY
R	1310230-011	1310216-013



DRAFTER M.C. 11-12-09		ELECTRONICS DIVISION	
CHECKER D.D.		SAN DIEGO CALIFORNIA	
APPD		<p>CABLE ASSEMBLY CA255</p>	
RELEASE ECO 030508			
DO NOT SCALE DRAWING	SIZE	CODE IDENT NO.	
	D	05157	7411255
	SCALE NONE	SHEET 5 OF 7	REV

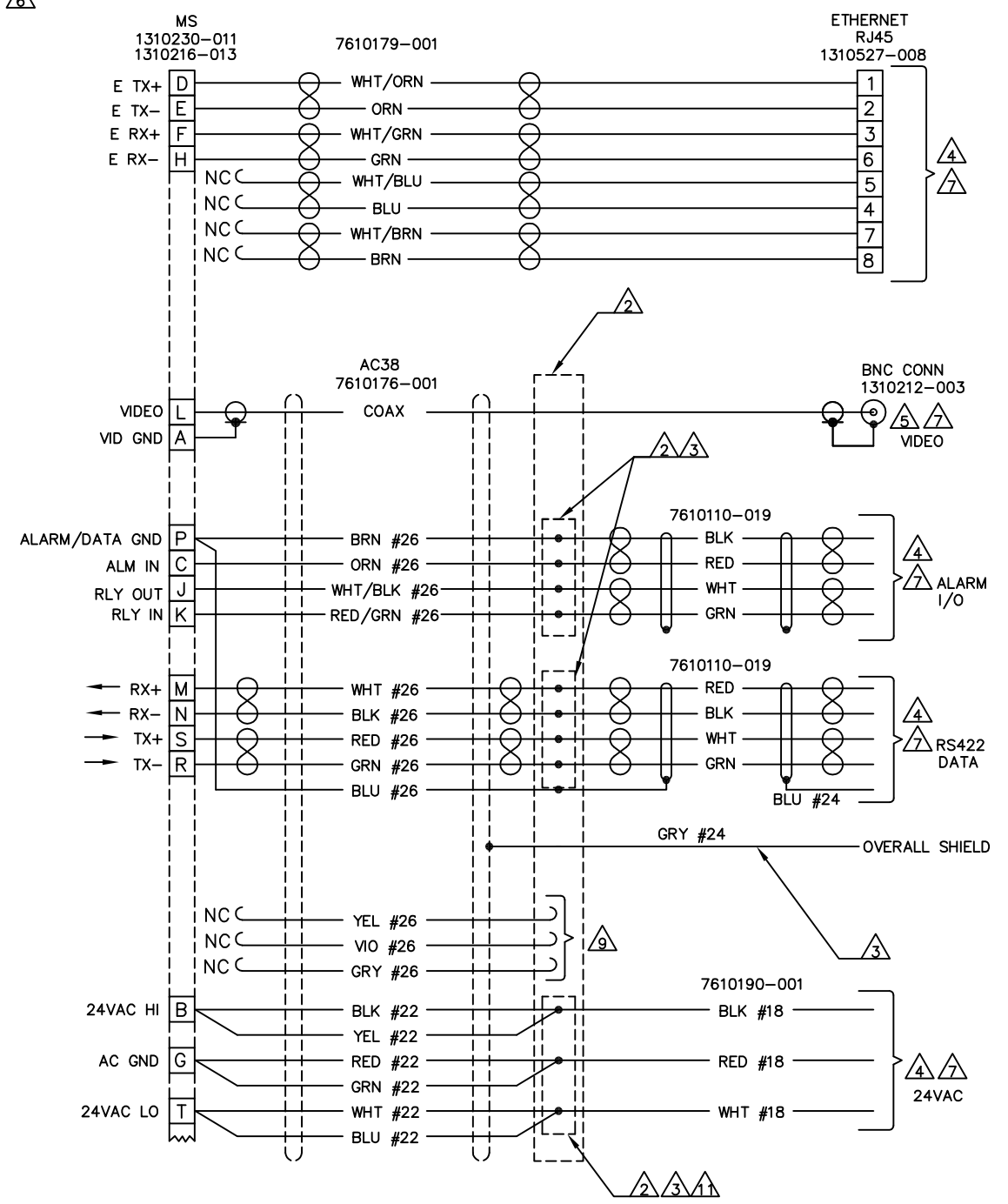
8 7 6 5 4 3 2 1

D
C
B
A



CA255S

CA 255	CONNECTOR (MAIN)	ACCESSORY	CONNECTOR RJ45	CONNECTOR (BNC)
S	1310230-011	1310216-013	1310527-008	1310212-003



SCHMATIC

DRAFTER M.C. 11-12-09	COHU INC		ELECTRONICS DIVISION
CHECKER D.D.			SAN DIEGO CALIFORNIA
APPD	CABLE ASSEMBLY CA255		
APPD			
RELEASE ECO 030508	SIZE D	CODE IDENT NO. 05157	7411255
DO NOT SCALE DRAWING	SCALE NONE	SHEET 6 OF 7	REV



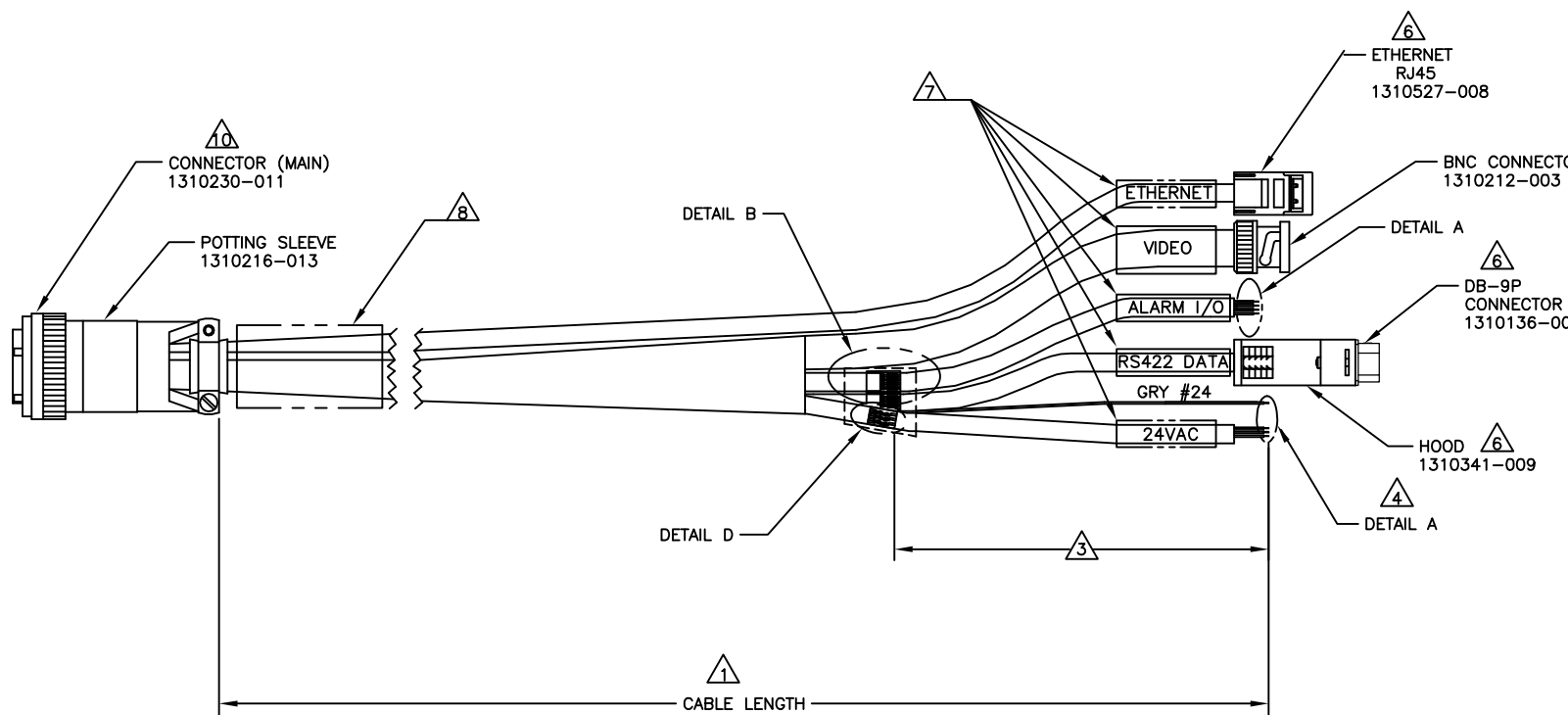
8 7 6 5 4 3 2 1

D

C

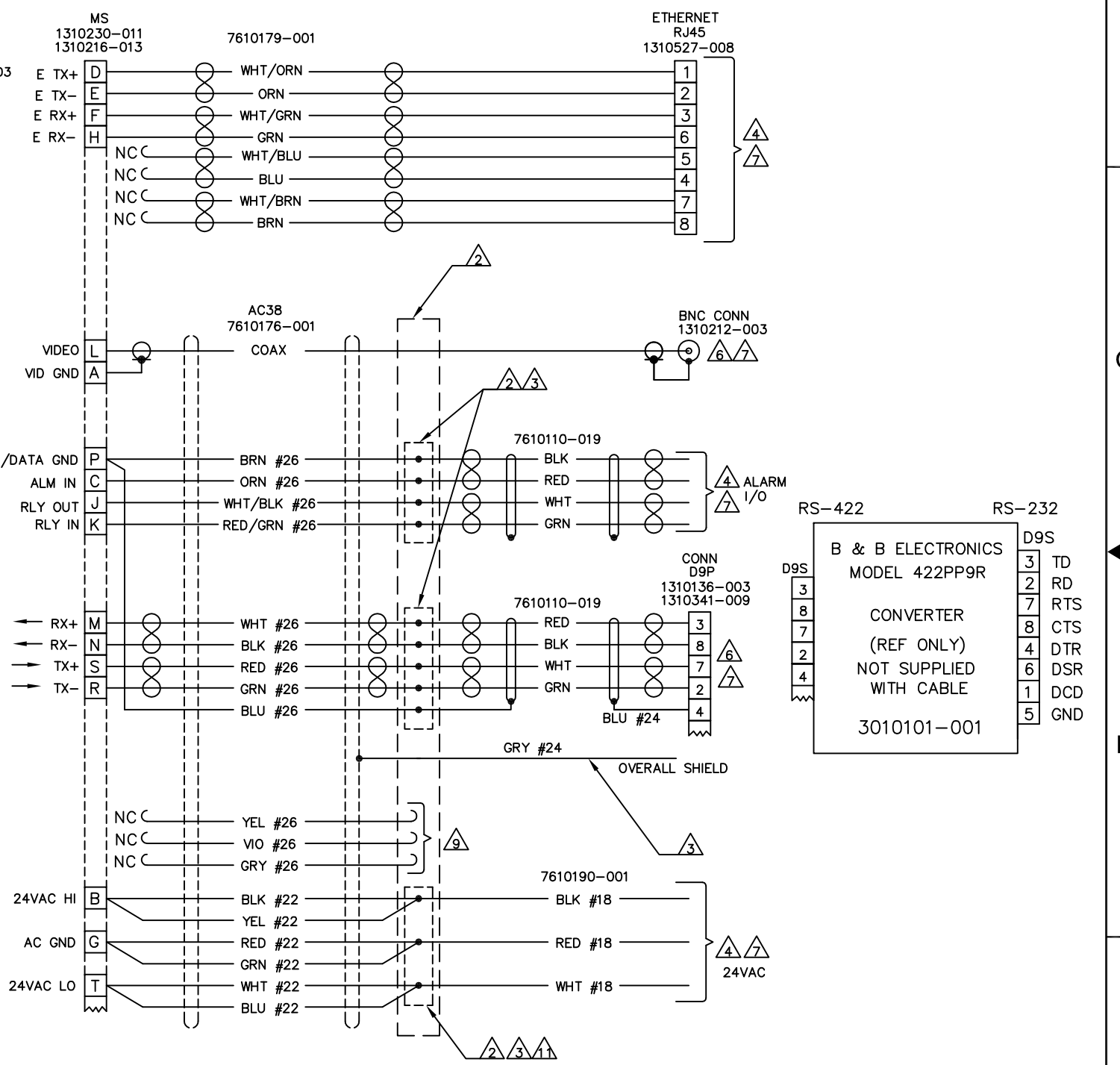
B

A

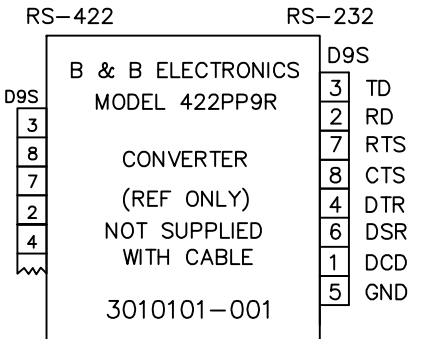


CA255T

CA 255	CONNECTOR (MAIN)	ACCESSORY	CONNECTOR RJ45	CONNECTOR (BNC)	CONNECTOR D9P	ACCESSORY
T	1310230-011	1310216-013	1310527-008	1310212-003	1310136-003	HOOD 1310341-009 (STRAIGHT)



SCHMATIC



DRAFTER M.C. 11-12-09	COHU INC		ELECTRONICS DIVISION
CHECKER T.R.	SAN DIEGO CALIFORNIA		
APPD	CABLE ASSEMBLY CA255		
APPD			
RELEASE ECO 030508			
DO NOT SCALE DRAWING	SIZE	CODE IDENT NO.	
	D	05157	7411255
	SCALE NONE	SHEET 7 OF 7	REV

