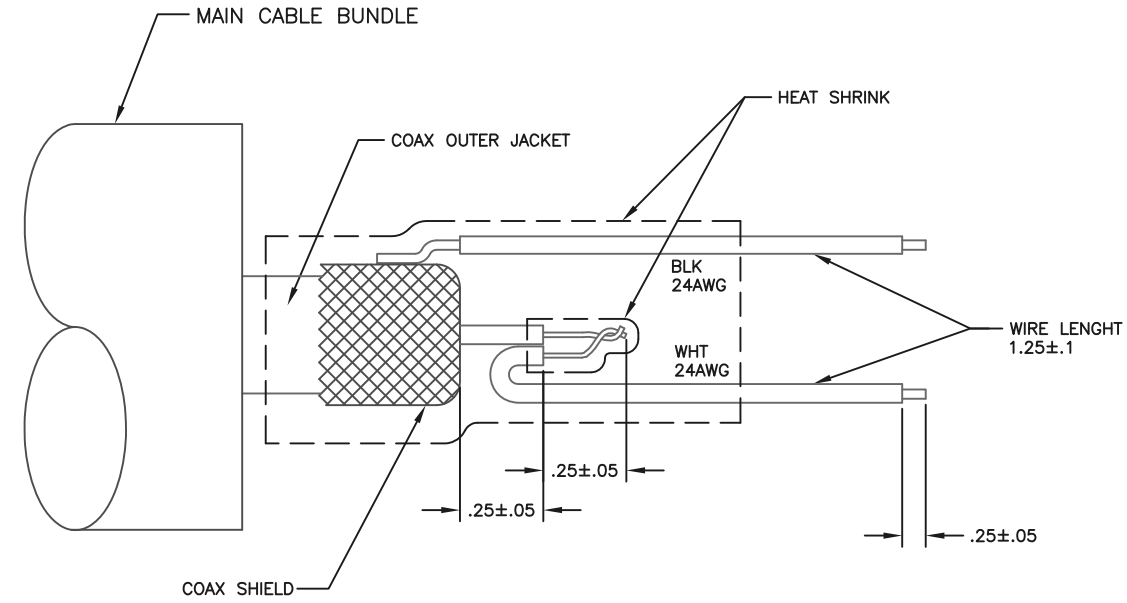
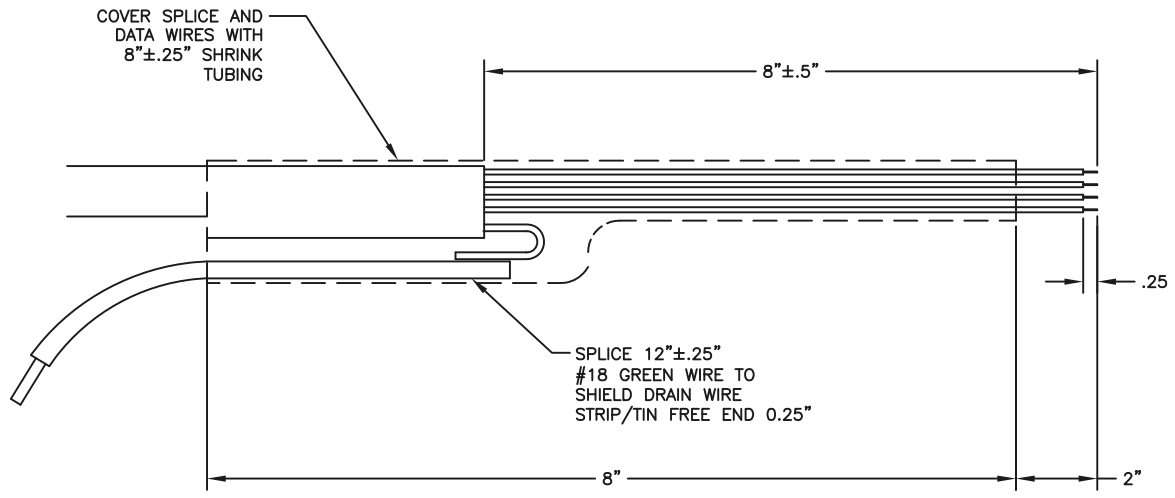


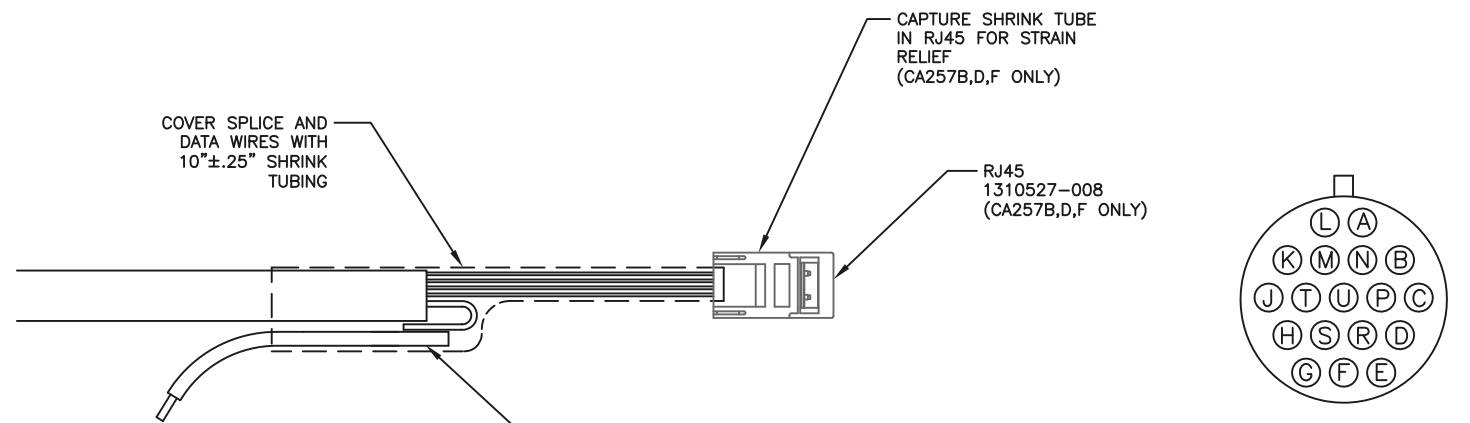
DETAIL "A"  $\Delta$   
WIRE TERMINATION



DETAIL "C"  $\Delta$   
COAX TERMINATION



DETAIL "B"  
WIRE TERMINATION



DETAIL "D"  
RJ45 DETAIL

1310230-011  
VIEWED FROM  
WIRING END

REVISIONS				
ZONE	LTR	DESCRIPTION	DATE	APPROVED
	A	NEW RELEASE. ECO 030609	04-07-10 M.C.	K.L.
	B	REVISED AND REDRAWN. ECO 030625	06-17-10 M.C.	D.D.
	C	ADDED DETAIL C, NOTE 7, CA257E AND CA257F. ECO 030833	4-18-11 M.C.	D.D.
	D	REVISED NOTE 5 (WAS: IDENTIFY WITH PART NUMBER AND REVISION APPROX. WHERE SHOWN). ECO 031159	01-10-12 M.C.	MN
	E	REVISED NOTES 1 & 2. ECO 031171	01-23-12 M.C.	MN
	F	CA257C & CA257D IN SCHEMATIC 7610110-005 YEL WIRE WAS WHT. CA257E & CA257F IN SCHEMATIC COAX 7610074-002 WAS 7610074-001. ECO 031245	04-10-12 M.C.	MN
	G	NOTE 1. WAS MAX CABLE LENGTH: 328 FEET FOR 115VAC; 80 FEET FOR 24VAC. MINIMUM CABLE LENGTH: 2 FEET. NOTE 2. WAS FOR CABLE LENGTHS GREATER THAN 10 FEET: STRIP OUT JACKET OF CABLE BUNDLE BACK 6 FEET. FOR CABLE LENGTHS LESS THAN 10 FEET: STRIP OUTER JACKET OF CABLE BACK 1/2 OF SPECIFIED LENGTH. FOR ALL CABLES: TERMINATE WIRES AS INDICATED BY SCHEMATIC. ECO 031343	8-20-12 M.C.	MN
	H	CA257C & CA257D IN SCHEMATIC 7610110-005 ORN WIRE WAS BLU. ECO 031245	9-11-12 M.C.	MN
	J	SH4: AT SCHEMATIC COAX P/N 7610074-002 WAS 7610174-002. ECO 031387	10-3-12 M.C.	MN
	K	ADDED DETAILS B AND D. IN SCHEMATICS ADDED PIN U TO SHIELD AND #18 GREEN WIRE. ECO 031476	2-07-13 M.C.	MN
	L	IN NOTE 5 ADDED "ROHS". ADDED NOTES 8 AND 9. IN CA257A, B, C, D, E AND F P/N 1310230-111 WAS 1310230-011. ECO 031776	3-09-14 M.C.	MN
	M	CA257C & CA257D, IN SCHEMATIC FOR 7610110-005, WHT WIRE WAS YEL & BLU WIRE WAS ORN. CA257E & CA257F, CABLE CALLOUT 7610074-002 WAS 7610110-002. ECO 032329	3-31-16 X.N.	L.GRAY

- 9. MUST BE ROHS COMPLIANT.
- $\Delta$  USE ONLY Pb-FREE SOLDER.
- $\Delta$  TERMINATE COAX PER DETAIL "C".
- $\Delta$  POT MAIN CONNECTOR PER MM-81.
- $\Delta$  IDENTIFY WITH THE 'CAxxxY' CABLE NUMBER AS INDICATED IN THIS DRAWING, THE REVISION OF THIS DRAWING, "ROHS", AND THE SPECIFIED CABLE LENGTH APPROX. WHERE SHOWN.
- $\Delta$  IDENTIFY WITH NOMENCLATURE INDICATED APPROX. WHERE SHOWN.
- $\Delta$  INSTALL CONNECTORS PER MFR. INSTRUCTIONS.
- $\Delta$  FOR ALL CABLES: TERMINATE WIRES AS INDICATED BY SCHEMATIC.
- $\Delta$  MAX. CABLE LENGTH: 328 FEET. MINIMUM CABLE LENGTH: 2 FEET

NOTES: UNLESS OTHERWISE SPECIFIED

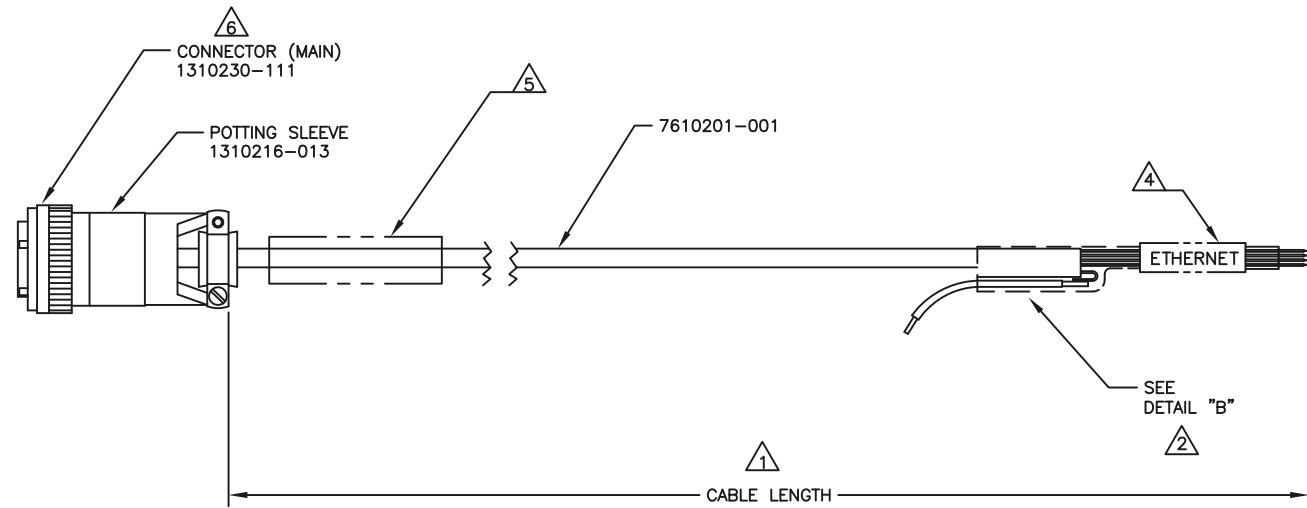
DRAFTER	M.C. 04-07-10
CHECKER	K.L.
APPD	
APPD	
RELEASE	ECO 030609
DO NOT SCALE DRAWING	
DASH	REQD
NEXT ASSEMBLY	

**COHU HDICOSTAR**

CABLE ASSEMBLY  
CA257 SERIES

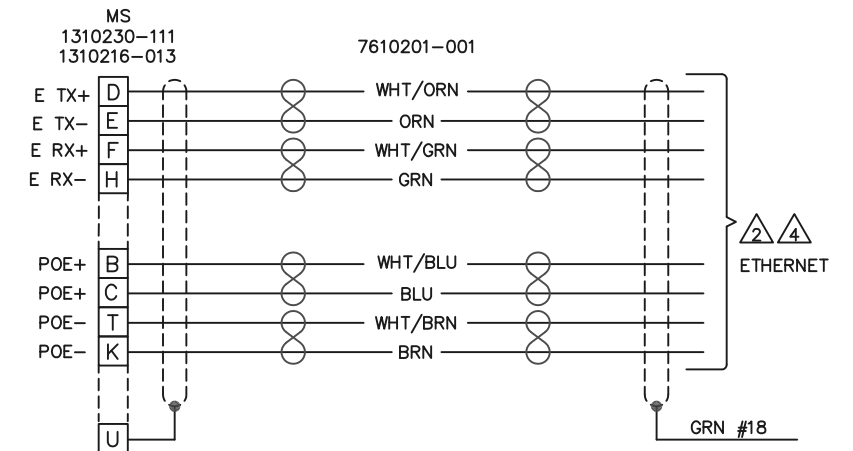
SIZE	CODE IDENT NO.	
D	05157	7411257
SCALE	NONE	SHEET 1 OF 4
		REV

REF 7411996

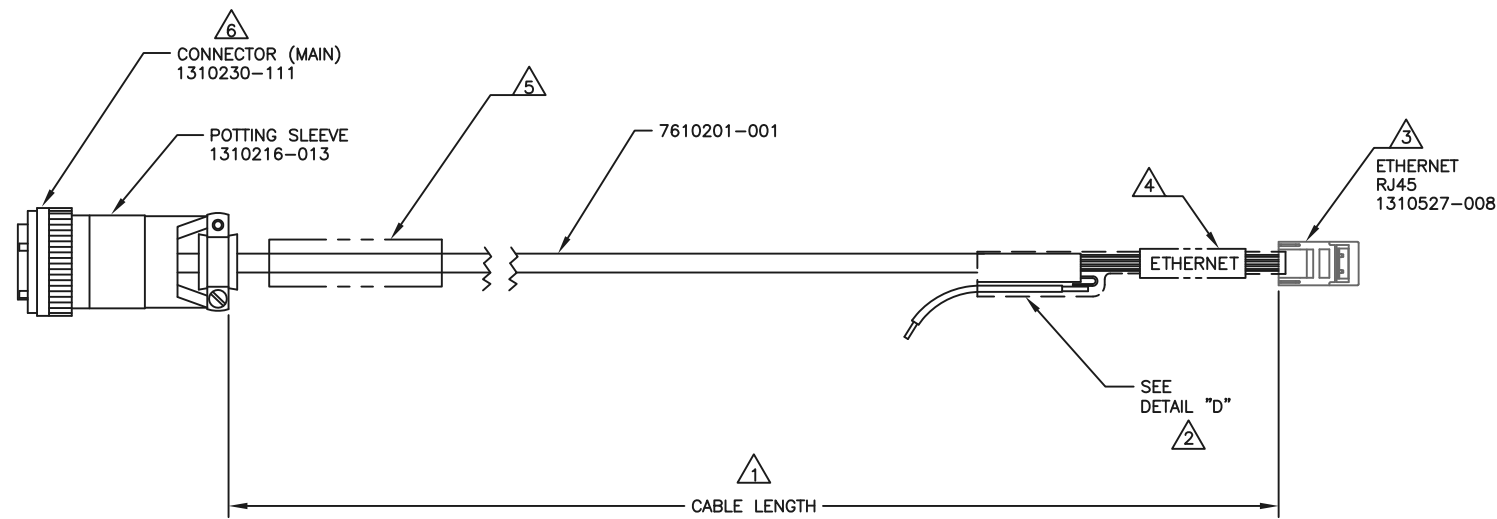


CA257A

CA 257	CONNECTOR (MAIN)	ACCESSORY
A	1310230-111	1310216-013

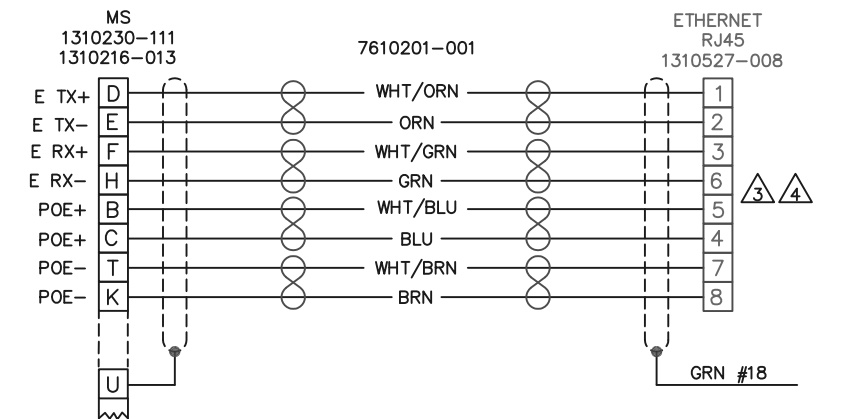


SCHMATIC



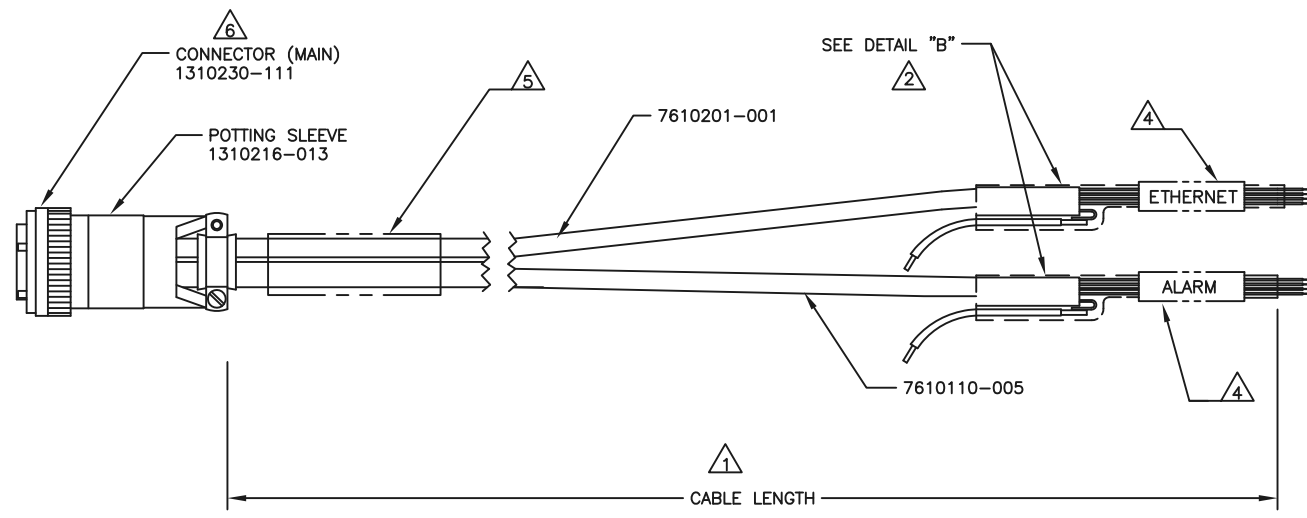
CA257B

CA 257	CONNECTOR (MAIN)	ACCESSORY	CONNECTOR RJ45
B	1310230-111	1310216-013	1310527-008



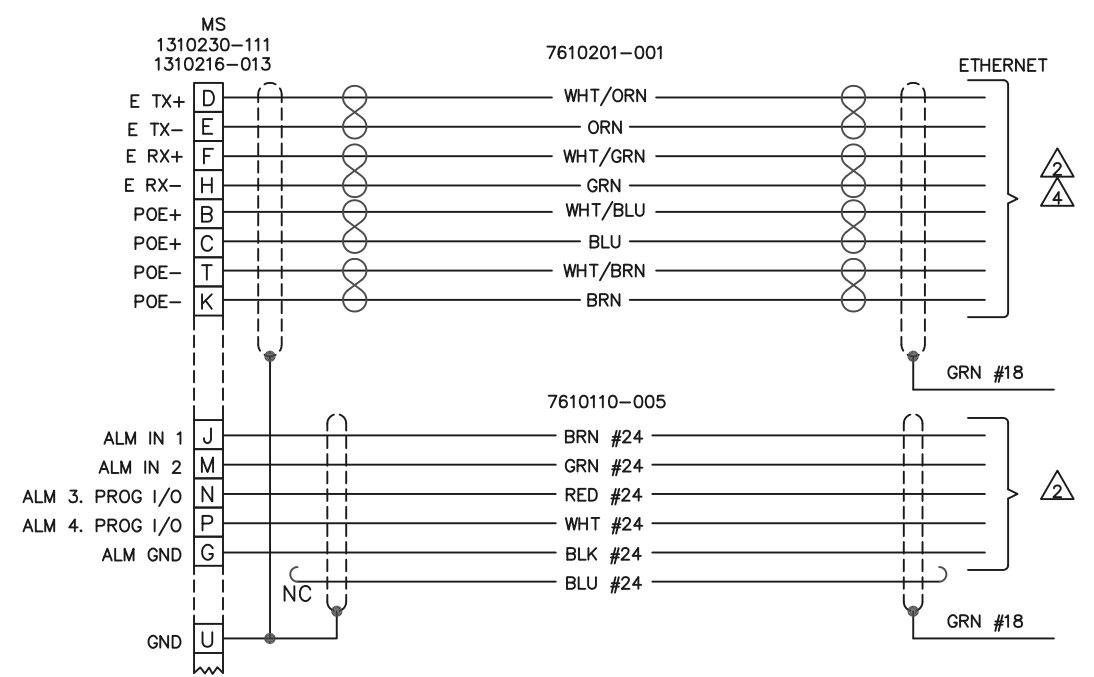
SCHMATIC

		DRAFTER M.C. 04-07-10	<b>COHU HDICOSTAR</b>			
		CHECKER K.L.				
		APPD	CABLE ASSEMBLY CA257 SERIES			
		APPD				
		RELEASE ECO 030609				
		DO NOT SCALE DRAWING				
			SIZE D	CODE IDENT NO. 05157	7411257	M
DASH	REQD	NEXT ASSEMBLY	SCALE NONE	SHEET 2 OF 4	REV	

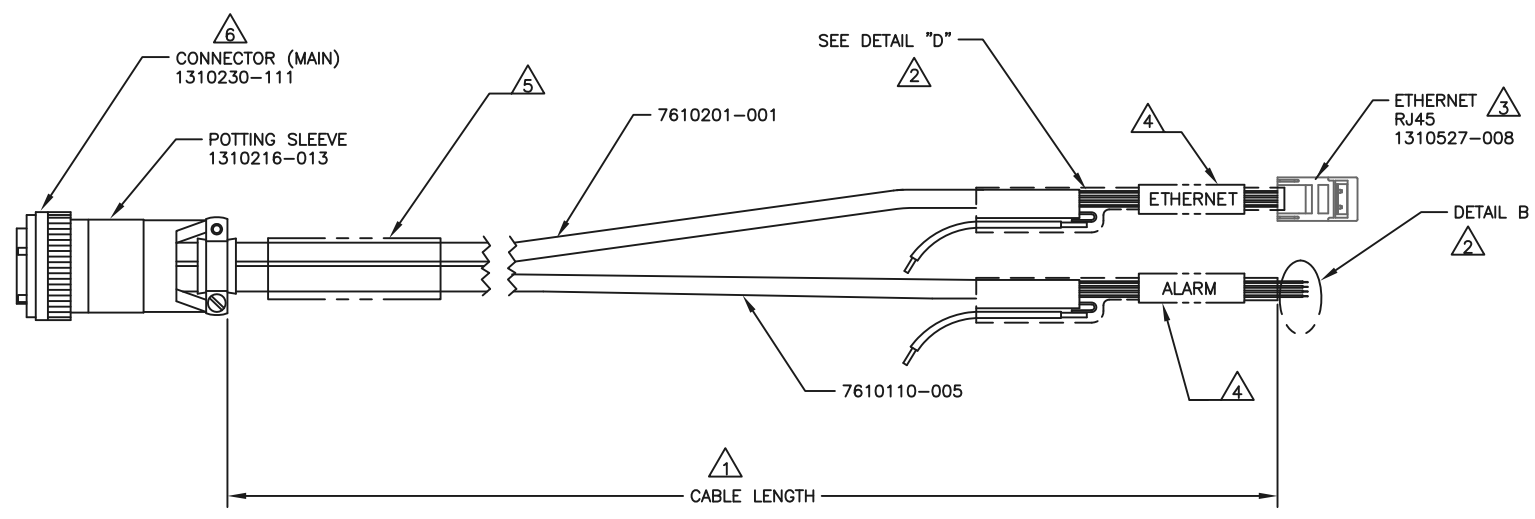


CA257C

CA 257	CONNECTOR (MAIN)	ACCESSORY
C	1310230-111	1310216-013

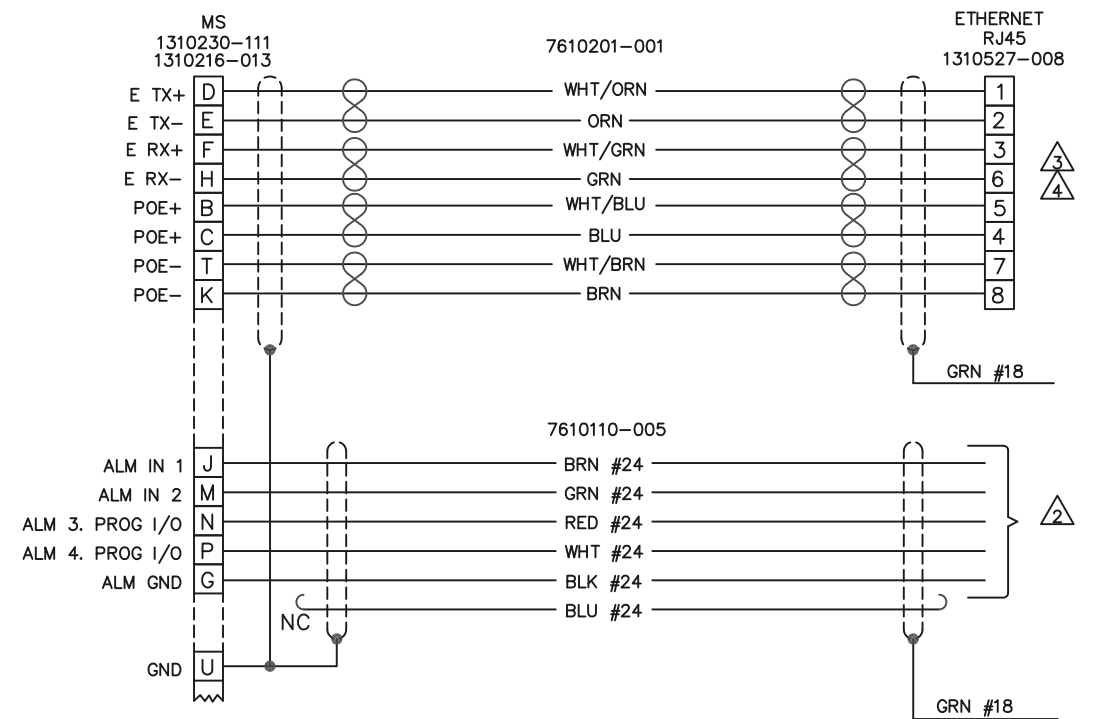


SCHMATIC



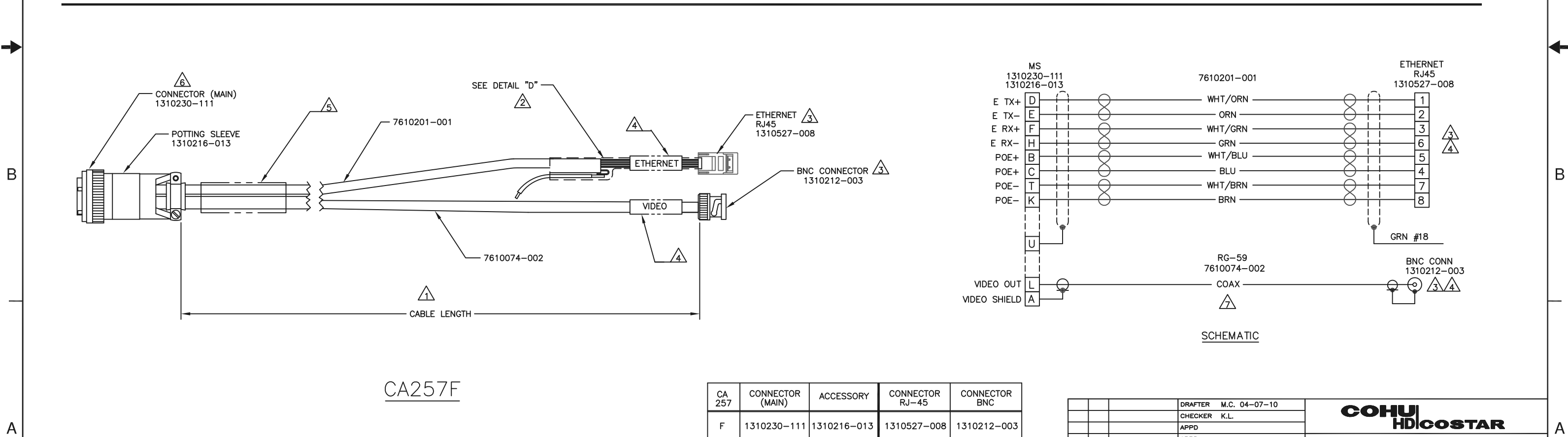
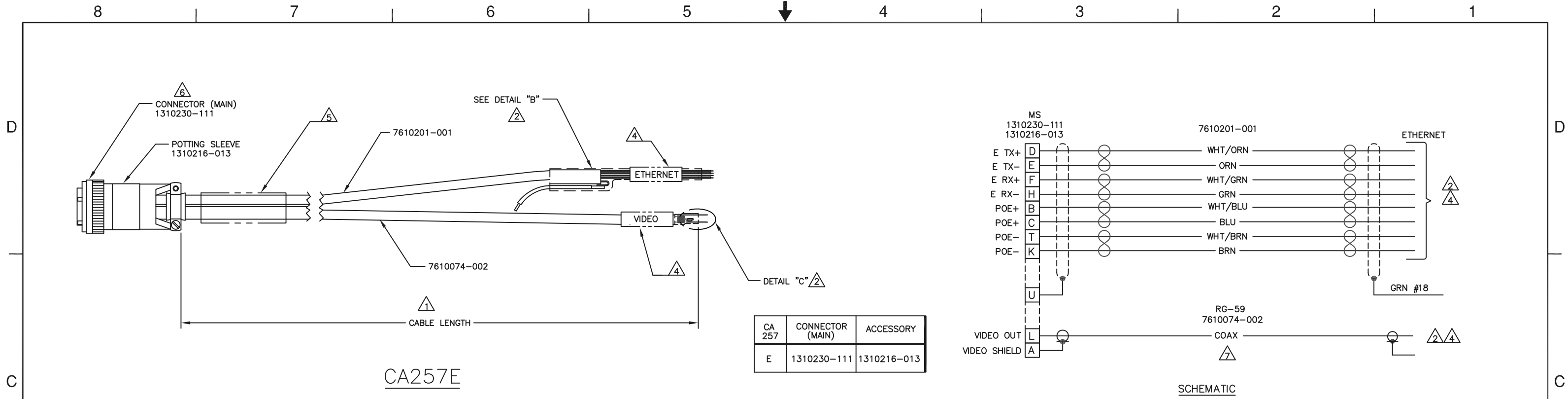
CA257D

CA 257	CONNECTOR (MAIN)	ACCESSORY	CONNECTOR RJ-45
D	1310230-111	1310216-013	1310527-008



SCHMATIC

DRAFTER	M.C. 04-07-10	<b>COHU HDICOSTAR</b>				
CHECKER	K.L.					
APPD						
APPD						
RELEASE	ECO 030609	CABLE ASSEMBLY CA257 SERIES				
DO NOT SCALE DRAWING						
		SIZE	CODE IDENT NO.	7411257	M	
		<b>D</b>	05157			
DASH	REQD	NEXT ASSEMBLY	SCALE	NONE	SHEET 3 OF 4	REV



DRAFTER	M.C. 04-07-10	<b>COHU HDICOSTAR</b>			
CHECKER	K.L.				
APPD					
APPD		CABLE ASSEMBLY CA257 SERIES			
RELEASE	ECO 030609				
DO NOT SCALE DRAWING		SIZE	CODE IDENT NO.	7411257	M
DASH	REQD	NEXT ASSEMBLY	D		
			SCALE	NONE	SHEET 4 OF 4
					REV