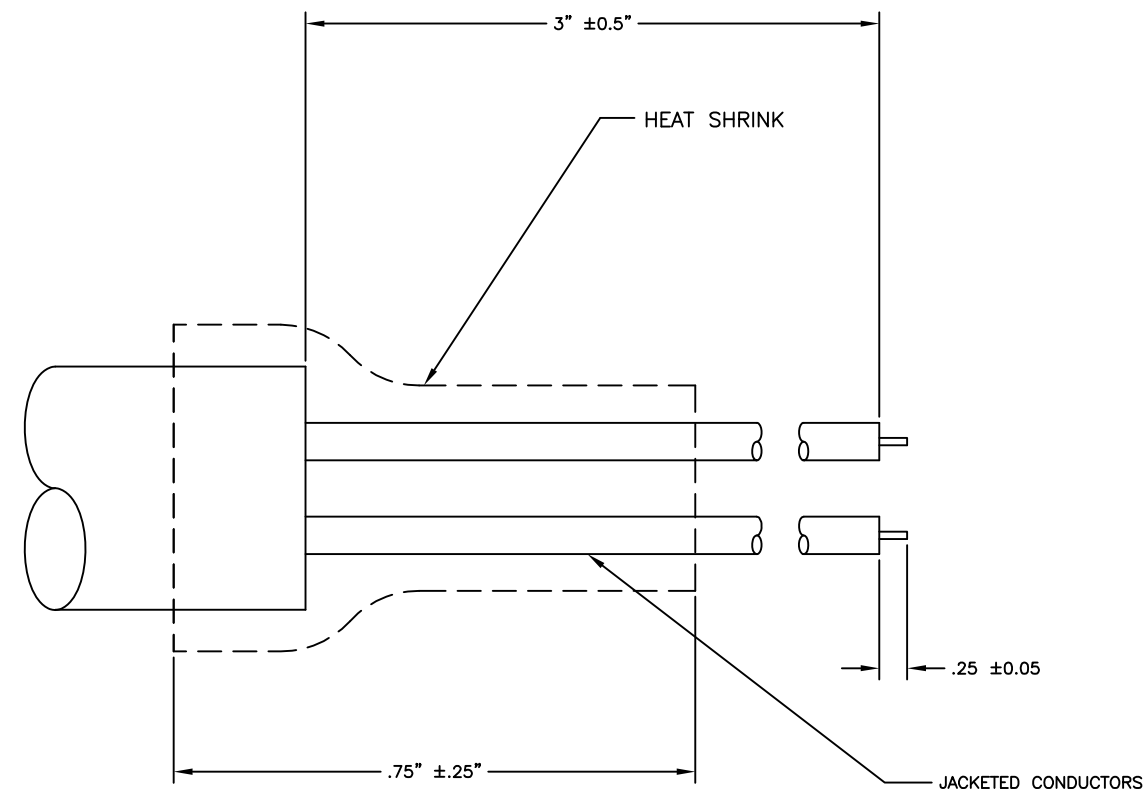
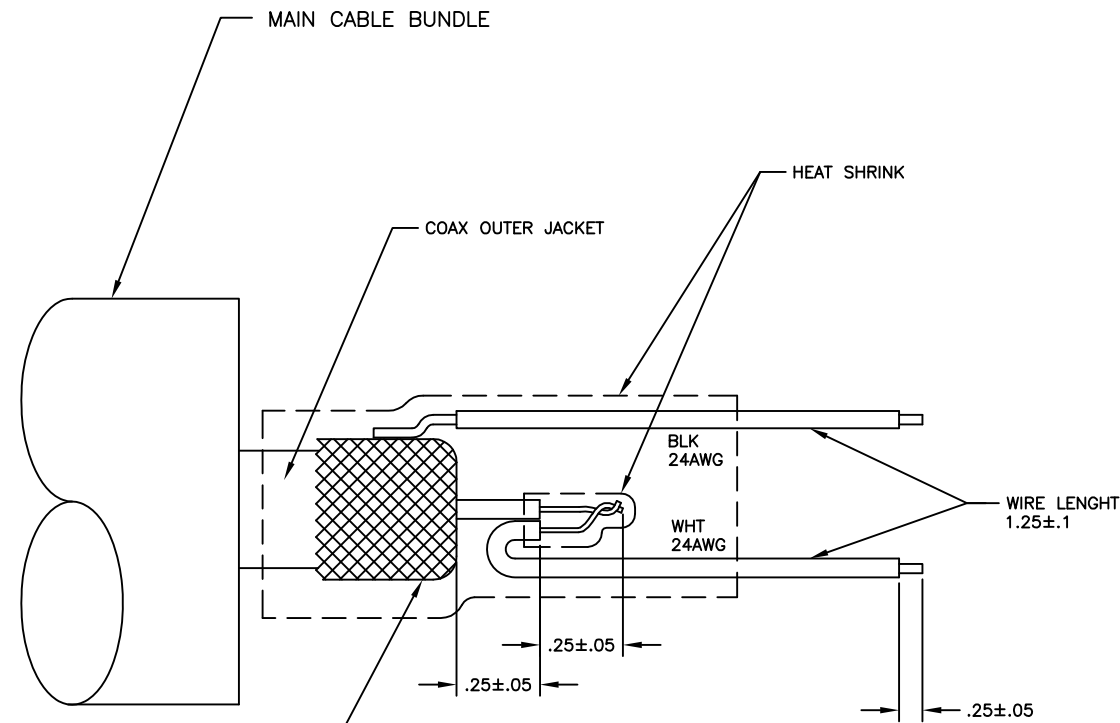


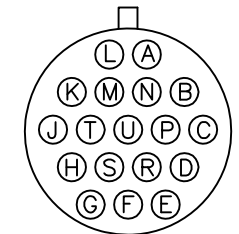
REVISIONS				
ZONE	LTR	DESCRIPTION	DATE	APPROVED
A		NEW RELEASE.	8-21-12 M.C.	K.L.



DETAIL "A" WIRE TERMINATION



DETAIL "C" COAX TERMINATION

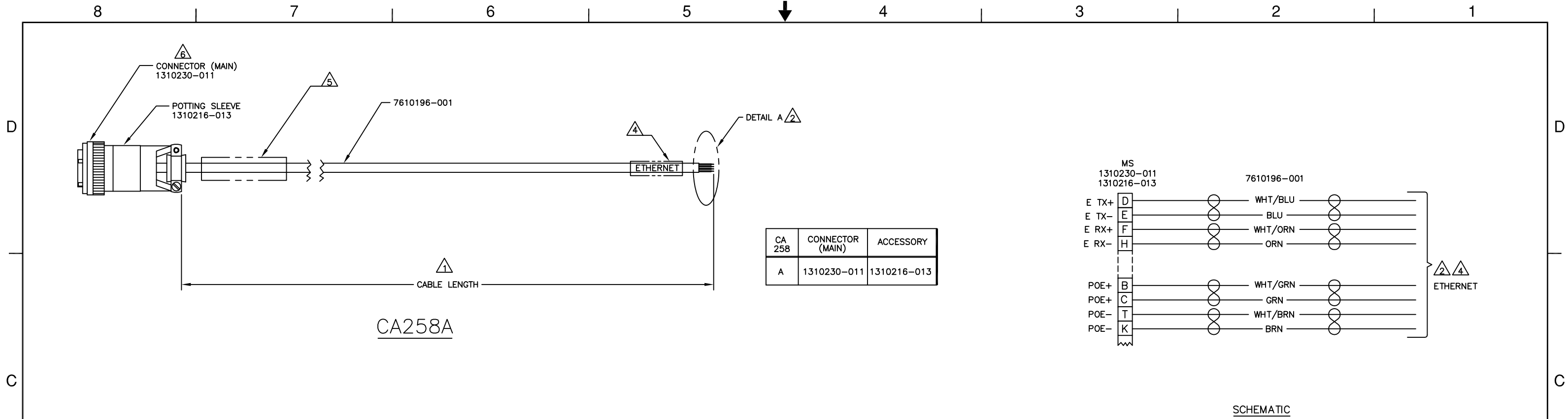


1310230-011
VIEWED FROM
WIRING END

- TERMINATE COAX PER DETAIL "C".
- POT MAIN CONNECTOR PER MM-81.
- IDENTIFY WITH THE 'CAxxxx' CABLE NUMBER AS INDICATED IN THIS DRAWING, THE REVISION OF THIS DRAWING, AND THE SPECIFIED CABLE LENGTH APPROX. WHERE SHOWN.
- IDENTIFY WITH NOMENCLATURE INDICATED APPROX. WHERE SHOWN.
- INSTALL CONNECTORS PER MFR. INSTRUCTIONS.
- FOR ALL CABLES: TERMINATE WIRES AS INDICATED BY SCHEMATIC.
- MAX. CABLE LENGTH: 328 FEET.
MINIMUM CABLE LENGTH: 2 FEET

NOTES: UNLESS OTHERWISE SPECIFIED

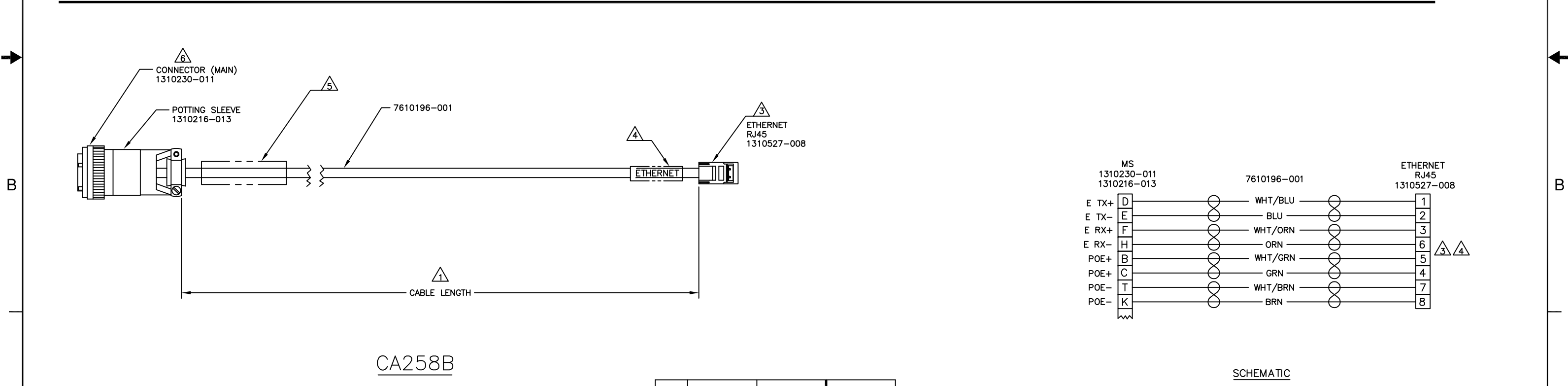
UNLESS OTHERWISE SPECIFIED, DIMENSIONS ARE IN INCHES. DIMENSIONS IN () ARE METRIC (mm). TOLERANCES ARE: INCHES ANGLES MILIMETERS		DRAFTER M.C. 08-21-12		ELECTRONICS DIVISION
.00 ±.03 (0.0) ±1.0 ±0° 30'		CHECKER K.L.		SAN DIEGO CALIFORNIA
.000 ±.000 (0.00) ±0.25		APPD	CABLE ASSEMBLY CA258 SERIES	
INCHES TOLERANCES MILIMETERS		APPD		
.013 THRU +.004 (-.20) THRU +.10		RELEASE ECO 031344	SIZE	CODE IDENT NO.
.125 -.001 (3.20) -.02		DO NOT SCALE DRAWING	D	05157
.126 THRU +.008 (3.21) THRU +.13			7411258	
.250 -.001 (6.35) -.02			A	
.251 THRU +.006 (6.36) THRU +.16			SCALE NONE	SHEET 1 OF 2
.500 -.001 (12.70) -.02				REV
.501 THRU +.008 (12.71) THRU +.20				
.750 -.001 (20.0) -.02				
REF	7411996	MATERIAL		
DASH	REQD	NEXT ASSEMBLY		
		FINISH		



CA 258	CONNECTOR (MAIN)	ACCESSORY
A	1310230-011	1310216-013

CA258A

SCHMATIC



CA 258	CONNECTOR (MAIN)	ACCESSORY	CONNECTOR RJ45
B	1310230-011	1310216-013	1310527-008

CA258B

SCHMATIC

NOTES: UNLESS OTHERWISE SPECIFIED

DRAFTER M.C. 08-21-12	COHU INC.	ELECTRONICS DIVISION		
CHECKER K.L.		SAN DIEGO CALIFORNIA		
APPD	CABLE ASSEMBLY CA258 SERIES			
APPD				
RELEASE ECO 031344	SIZE	CODE IDENT NO.	7411258	A
	D	05157		
NEXT ASSEMBLY	NONE	SHEET 2 OF 2	REV	