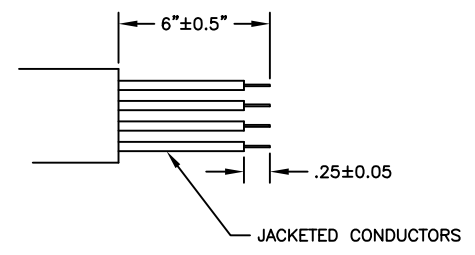
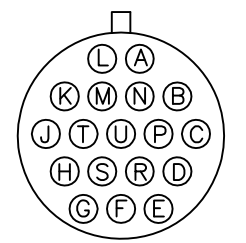


| REVISIONS | | | | |
|-----------|-----|-----------------|------------|-----------------|
| ZONE | LTR | DESCRIPTION | DATE | APPROVED |
| | A | INITIAL RELEASE | ECO 031387 | 9-28-12 M.C. |
| | | | | M.N. |



DETAIL "A"



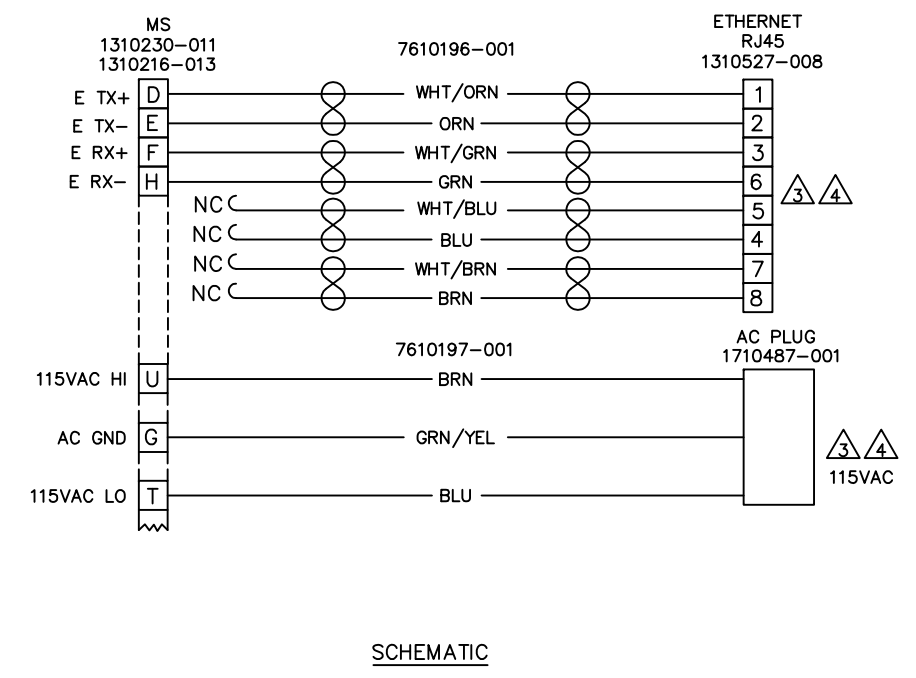
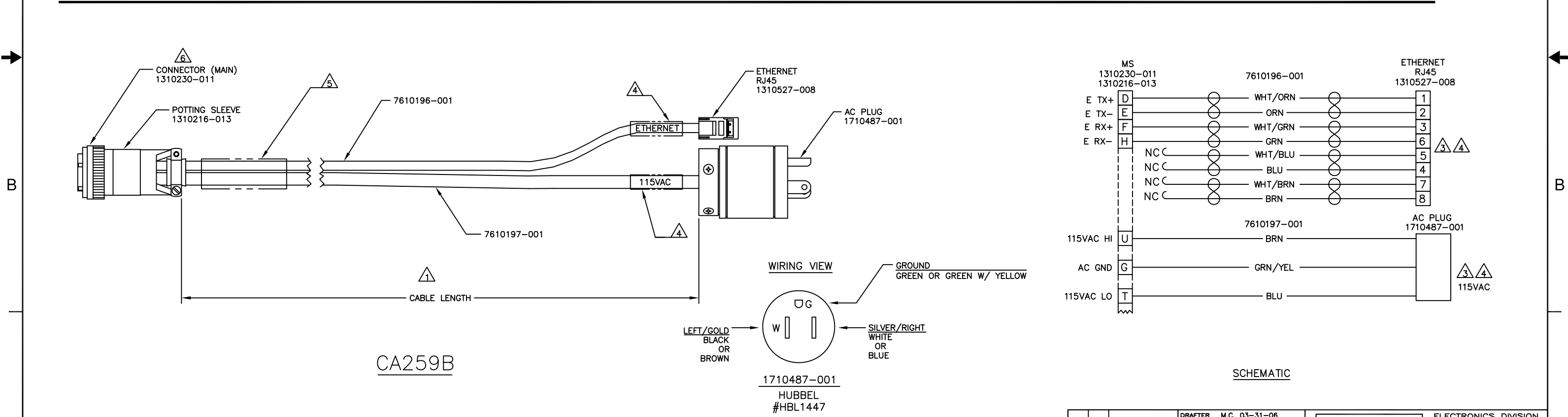
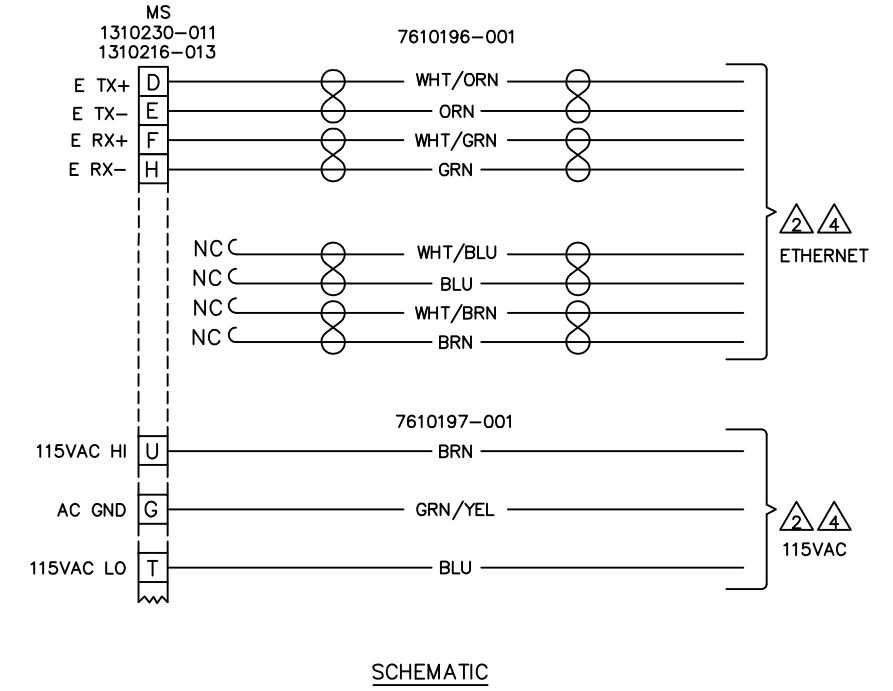
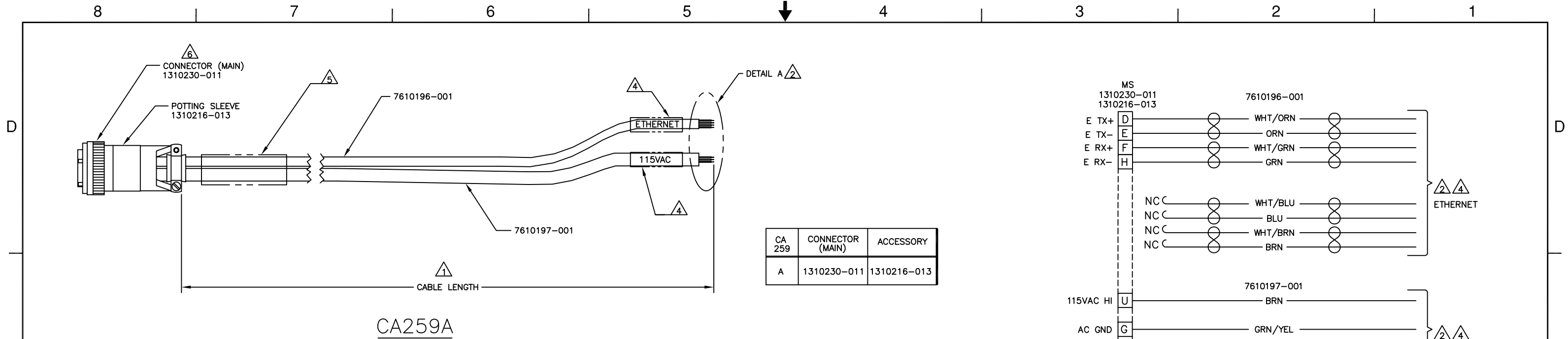
1310230-011
VIEWED FROM
WIRING END

WIRE TERMINATION

- POT MAIN CONNECTOR PER MM-81.
- IDENTIFY WITH THE 'CAxxxY' CABLE NUMBER AS INDICATED IN THIS DRAWING, THE REVISION OF THIS DRAWING, AND THE SPECIFIED CABLE LENGTH APPROX. WHERE SHOWN.
- IDENTIFY WITH NOMENCLATURE INDICATED APPROX. WHERE SHOWN.
- INSTALL CONNECTORS PER MFR. INSTRUCTIONS.
- STRIP OUTER JACKET BACK 6" ± .5". STRIP INDIVIDUAL CONDUCTORS .25" ± .05" AND TIN WIRE AS REQUIRED BY SCHEMATIC. UNUSED WIRE TO BE CUT FLUSH WITH OUTER JACKET AND COVERED BY HEAT SHRINK IF REQUIRED. SEE DETAIL A.
- MAX. CABLE LENGTH: 328 FEET FOR 115VAC; 80 FEET FOR 24VAC. MINIMUM CABLE LENGTH IS 2 FEET.

NOTES: UNLESS OTHERWISE SPECIFIED

| | | | | |
|--|---------|-----------------------|--------------------------------|--------------|
| UNLESS OTHERWISE SPECIFIED, DIMENSIONS ARE IN INCHES. DIMENSIONS IN () ARE METRIC (mm). | | DRAFTER M.C. 09-28-12 | ELECTRONICS DIVISION | |
| TOLERANCES ARE: | | CHECKER M.N. | SAN DIEGO CALIFORNIA | |
| INCHES ±.03 (0.0) ±1.0 ±0° 30' | | APPD | CABLE ASSEMBLY CA259 SERIES | |
| MILLIMETERS ±0.25 (0.00) ±0.25 | | APPD | | |
| ANGLE TOLERANCES | | RELEASE ECO 031387 | | |
| INCHES ±.004 (0.10) THRU +.10 | | DO NOT SCALE DRAWING | | |
| .125 -.001 (3.20) -.02 | | | | |
| .126 THRU +.008 (3.21) THRU +.13 | | | | |
| .250 -.001 (6.35) -.02 | | | | |
| .251 THRU +.006 (6.36) THRU +.16 | | SIZE CODE IDENT NO. | | |
| .500 -.001 (12.70) -.02 | | | | |
| .501 THRU +.008 (12.71) THRU +.20 | | D 05157 | | 7411259 |
| .750 -.001 (20.0) -.02 | | SCALE NONE | | A |
| REF | 7411996 | MATERIAL | | SHEET 1 OF 2 |
| DASH | REQD | NEXT ASSEMBLY FINISH | | REV |



| CA 259 | CONNECTOR (MAIN) | ACCESSORY | CONNECTOR RJ45 | AC PLUG |
|--------|------------------|-------------|----------------|-------------|
| B | 1310230-011 | 1310216-013 | 1310527-008 | 1710487-001 |

| | | | | | | | | | |
|-----------------------|--------------------|--|--|---------|----------------|---------|---|---|-------|
| DRAFTER M.C. 03-31-06 | | COHU INC. ELECTRONICS DIVISION SAN DIEGO CALIFORNIA | | | | | | | |
| CHECKER N.T. | | | | | | | | | |
| APPD | | CABLE ASSEMBLY CA259 SERIES | | | | | | | |
| APPD | | | | | | | | | |
| RELEASE ECN K063 | | | | | | | | | |
| DO NOT SCALE DRAWING | | <table border="1" style="width: 100%;"> <tr> <td>SIZE</td> <td>CODE IDENT NO.</td> <td rowspan="2" style="font-size: 2em; font-weight: bold;">7411259</td> <td rowspan="2" style="font-size: 2em; font-weight: bold;">A</td> </tr> <tr> <td>D</td> <td>05157</td> </tr> </table> | | SIZE | CODE IDENT NO. | 7411259 | A | D | 05157 |
| SIZE | CODE IDENT NO. | | | 7411259 | A | | | | |
| D | 05157 | | | | | | | | |
| REF | 7411996 | SCALE NONE | | | | | | | |
| DASH | REQD NEXT ASSEMBLY | SHEET 2 OF 2 | | | | | | | |