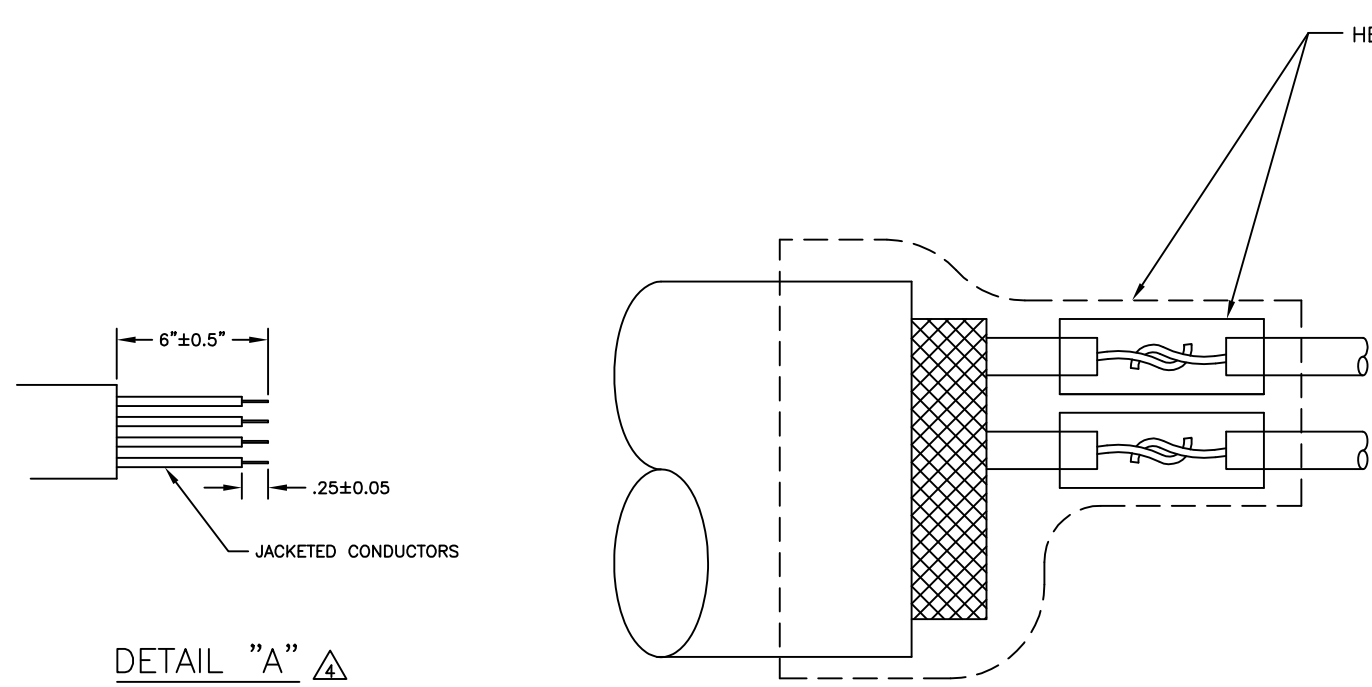
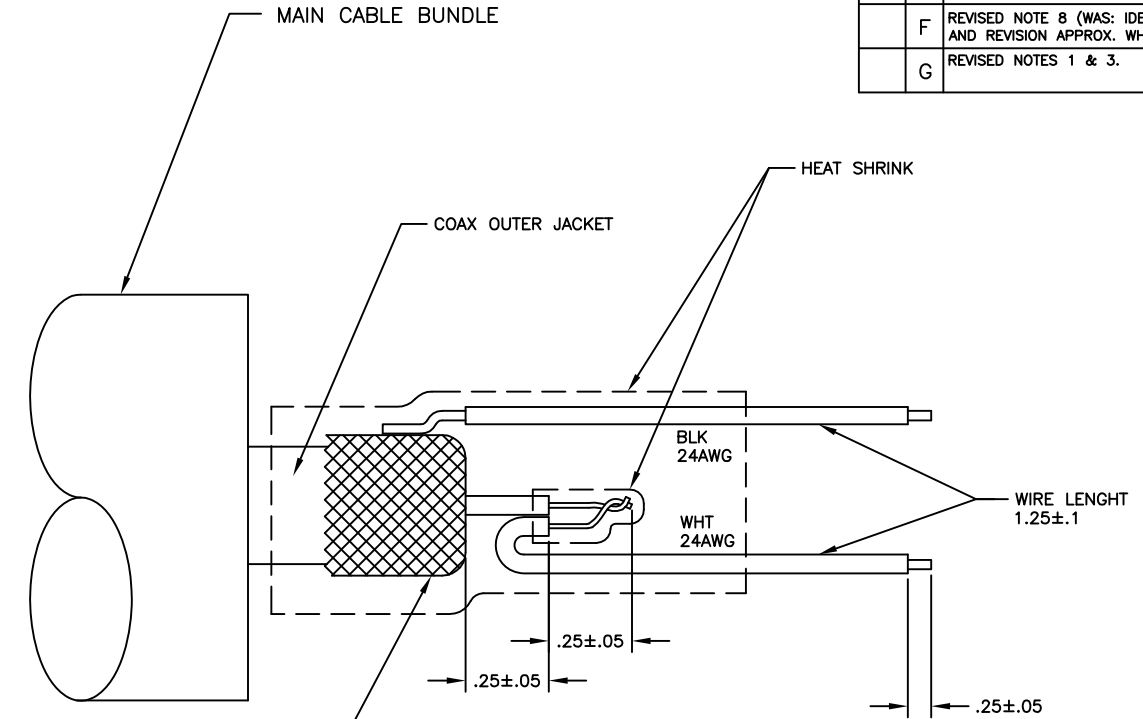


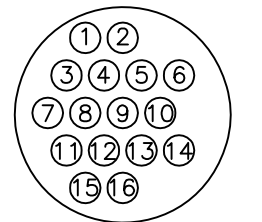
REVISIONS				
ZONE	LTR	DESCRIPTION	DATE	APPROVED
	A	REVISED & REDRAWN. ECO 030508	01-08-10 M.C.	DD
	B	PICTURE CHANGE CA271D-1310136-003 WAS 3010101-001. ECO 030574	3-10-10 M.C.	RDL
	C	CA271A,B,D,M,P & Q CABLE CLAMP 1310307-104 WAS 1310307-103. ECO 030608	4-07-10 M.C.	K.L.
	D	SH5: ADDED CAT-5 WIRING. SH6: ADDED D9P CONNECTOR ACCESSORY PART NUMBER. ECO 030625	9-09-10 M.C.	K.L.
	E	IN TABLE ADDED MAIN CONNECTOR ACCESSORY PARTS AND PIN NUMBERS TO ALL CABLE ASSEMBLIES. REVISED MAIN CONNECTOR SPLICE DETAIL AT PINS 13,15 & 16. ECO 030833	4-18-11 M.C.	DD
	F	REVISED NOTE 8 (WAS: IDENTIFY WITH PART NUMBER AND REVISION APPROX. WHERE SHOWN). ECO 031159	01-10-12 M.C.	MN
	G	REVISED NOTES 1 & 3. ECO 031171	01-23-12 M.C.	MN



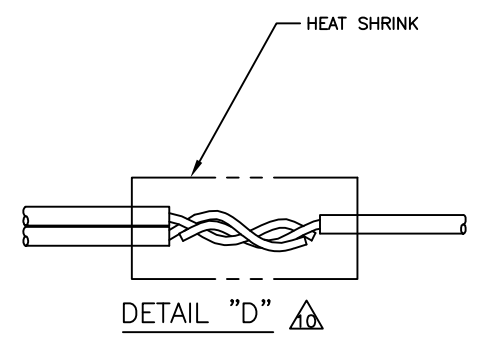
DETAIL "A"  $\Delta$   
WIRE TERMINATION



DETAIL "C"  $\Delta$   
COAX TERMINATION



1310307-009  
VIEWED FROM  
WIRING END



DETAIL "D"  $\Delta$   
PARALLEL TERMINATION

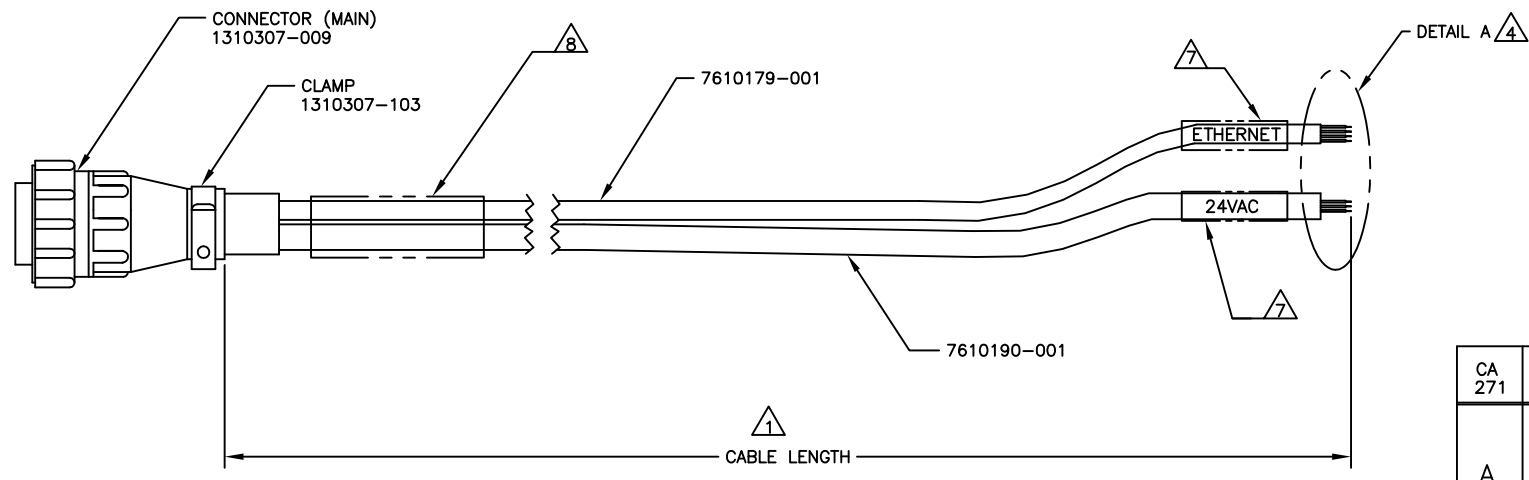
- $\Delta$ 10 TERMINATE TWO PARALLEL CONDUCTORS INTO A SINGLE CONDUCTOR AS SHOWN.
- $\Delta$ 9 UNUSED WIRE TO BE CUT FLUSH W/OUTER JACKET AND COVERED BY HEAT SHRINK.
- $\Delta$ 8 IDENTIFY WITH THE 'CAxxxx' CABLE NUMBER AS INDICATED IN THIS DRAWING, THE REVISION OF THIS DRAWING, AND THE SPECIFIED CABLE LENGTH APPROX. WHERE SHOWN.
- $\Delta$ 7 IDENTIFY WITH NOMENCLATURE INDICATED APPROX. WHERE SHOWN.
- $\Delta$ 6 INSTALL CONNECTORS PER MFR. INSTRUCTIONS.
- $\Delta$ 5 TERMINATE COAX PER DETAIL C.
- $\Delta$ 4 STRIP OUTER JACKET BACK 6" ± .5". STRIP INDIVIDUAL CONDUCTORS .25" ± .05" AND TIN WIRE AS REQUIRED BY SCHEMATIC. UNUSED WIRE TO BE CUT FLUSH WITH OUTER JACKET AND COVERED BY HEAT SHRINK IF REQUIRED. SEE DETAIL A.
- $\Delta$ 3 FOR CABLE LENGTHS GREATER THAN 10 FEET: STRIP OUTER JACKET OF CABLE BUNDLE BACK 6 FEET. FOR CABLE LENGTHS LESS THAN 10 FEET: STRIP OUTER JACKET OF CABLE BACK 1/2 OF SPECIFIED LENGTH. FOR ALL CABLES: TERMINATE WIRES AS INDICATED BY SCHEMATIC.
- $\Delta$ 2 INSTALL SHRINK TUBING OVER SPLICED SOLDER JOINTS AS SHOWN IN DETAILS B & D.
- $\Delta$ 1 MAX. CABLE LENGTH: 328 FEET FOR 115VAC; 80 FEET FOR 24VAC. MINIMUM CABLE LENGTH IS 2 FEET.

NOTES: UNLESS OTHERWISE SPECIFIED

UNLESS OTHERWISE SPECIFIED, DIMENSIONS IN ( ) ARE METRIC (mm)		DRAFTER M.C. 11-13-09		ELECTRONICS DIVISION	
TOLERANCES ARE:		CHECKER T.R.		SAN DIEGO CALIFORNIA	
INCHES ±.03 (0.0) ±1.0 ±0° 30'		APPD	CABLE ASSEMBLY CA271		
MILLIMETERS ±.000 (0.00) ±0.25		APPD			
INCHES TOLERANCES		RELEASE ECO 030508			
MILLIMETERS		DO NOT SCALE DRAWING			
.013 THRU +.004 (-.50) THRU +.10			SIZE	CODE IDENT NO.	
.125 -.001 (3.20) -.02			D 05157	7411271	
.126 THRU +.008 (8.21) THRU +.13			G		
.250 -.001 (6.35) -.02			SCALE NONE		
.251 THRU +.006 (6.35) THRU +.16			SHEET 1 OF 6		
.500 -.001 (12.70) -.02					
.501 THRU +.008 (12.71) THRU +.20					
.750 -.001 (20.0) -.02					
REF	7411996	MATERIAL			
DASH	REQD	NEXT ASSEMBLY			
FINISH					

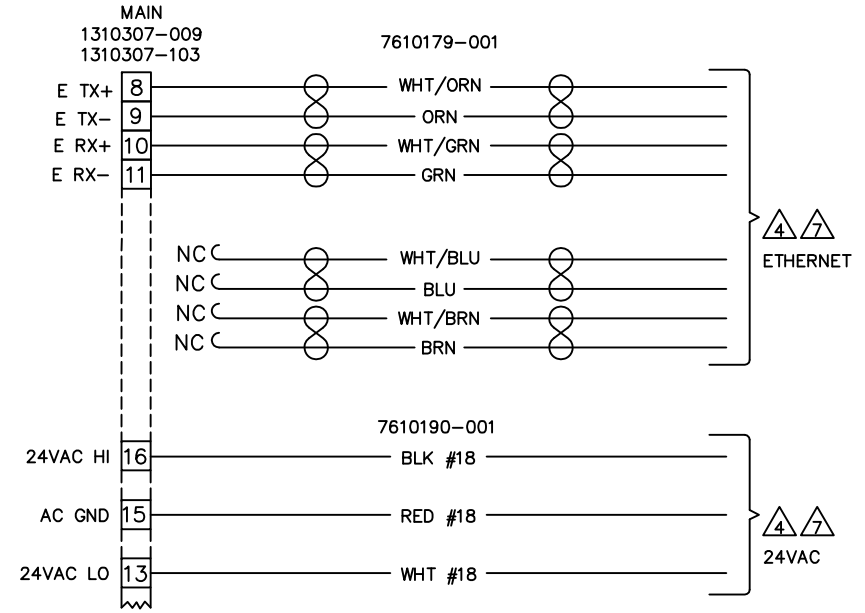
8 7 6 5 4 3 2 1

D



CA271A

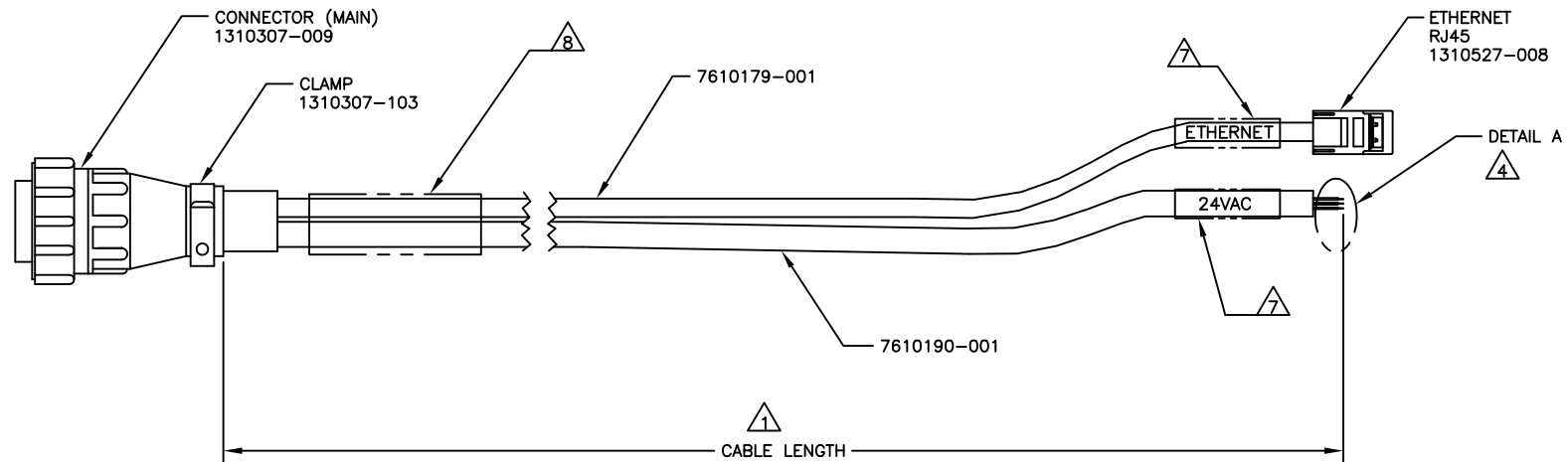
CA 271	CONNECTOR (MAIN)	ACCESSORY	ACCESSORY
A	1310307-009	1310307-103 (CLAMP)	1310308-002 (4 CONTACTS) (8,9,10,11) 1310308-004 (3 CONTACTS) (13,15,16)



SCHEMATIC

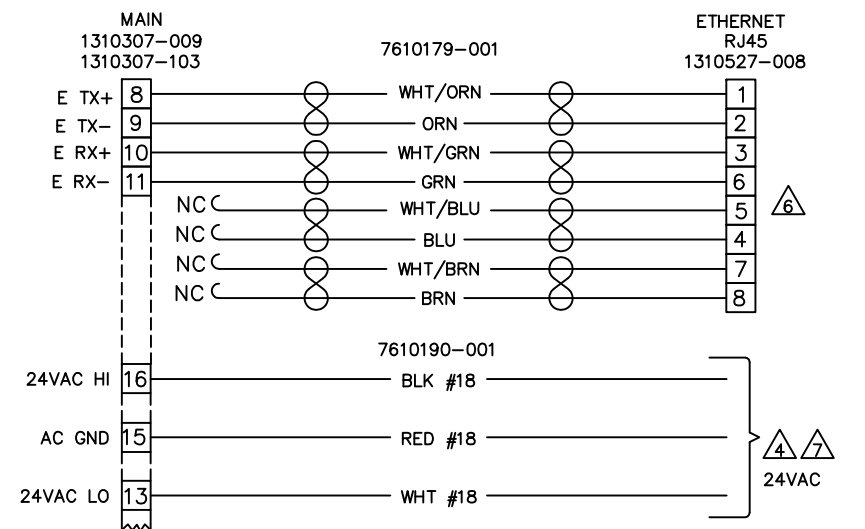
C

B



CA271B

CA 271	CONNECTOR (MAIN)	ACCESSORY	ACCESSORY	CONNECTOR RJ45
B	1310307-009	1310307-103 (CLAMP)	1310308-002 (4 CONTACTS) (8,9,10,11) 1310308-004 (3 CONTACTS) (13,15,16)	1310527-008

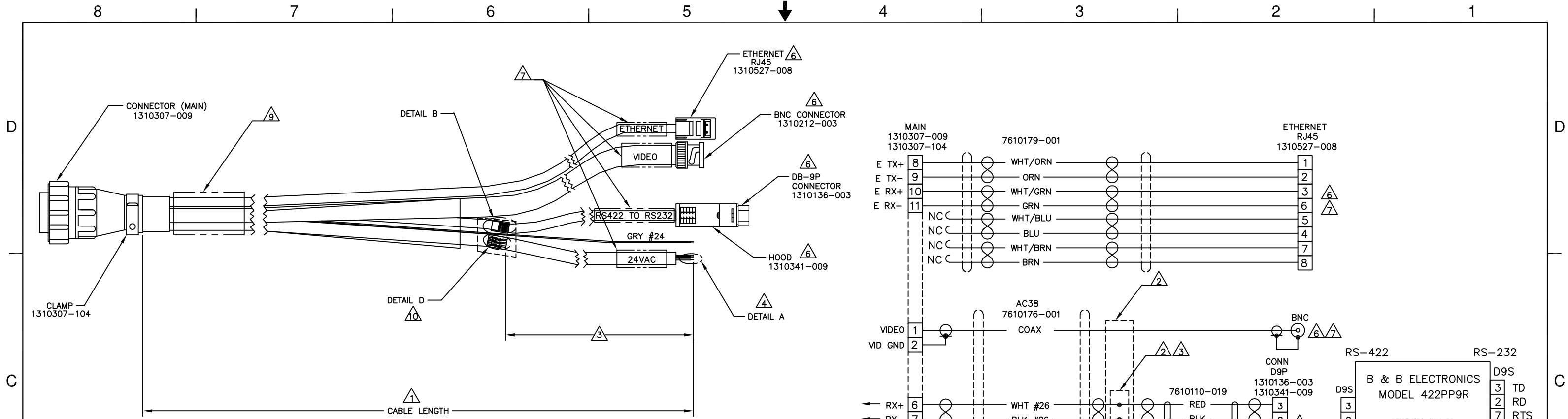


SCHEMATIC

A

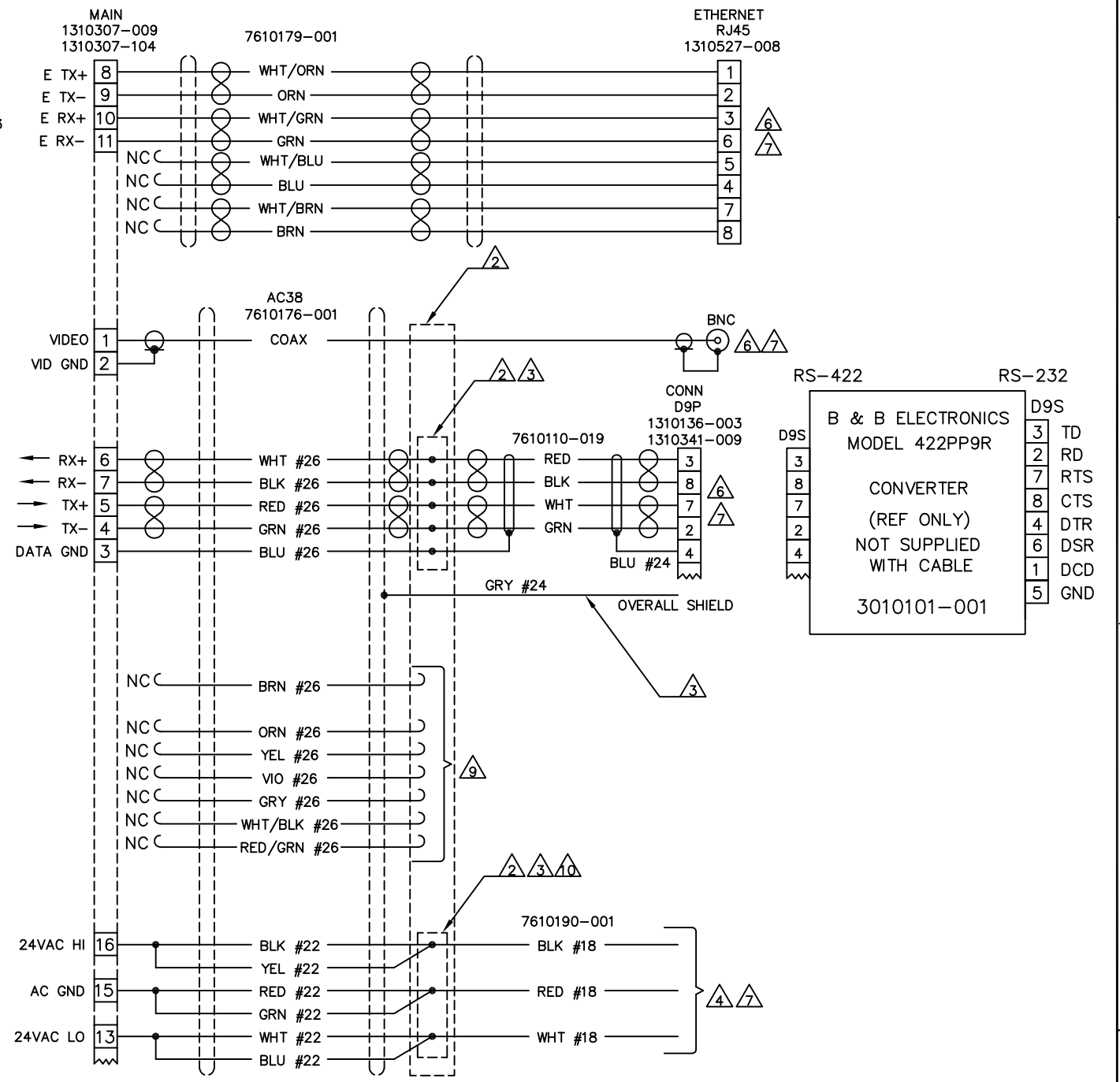
DRAFTER M.C. 11-13-09		<b>COHU</b> INC.	ELECTRONICS DIVISION SAN DIEGO CALIFORNIA		
CHECKER T.R.			CABLE ASSEMBLY CA271		
APPD					
RELEASE ECO 030508					
DO NOT SCALE DRAWING		SIZE	CODE IDENT NO.	7411271	G
REF	7411996	D	05157		
DASH	REQD	SCALE NONE		SHEET 2 OF 6	REV

↑



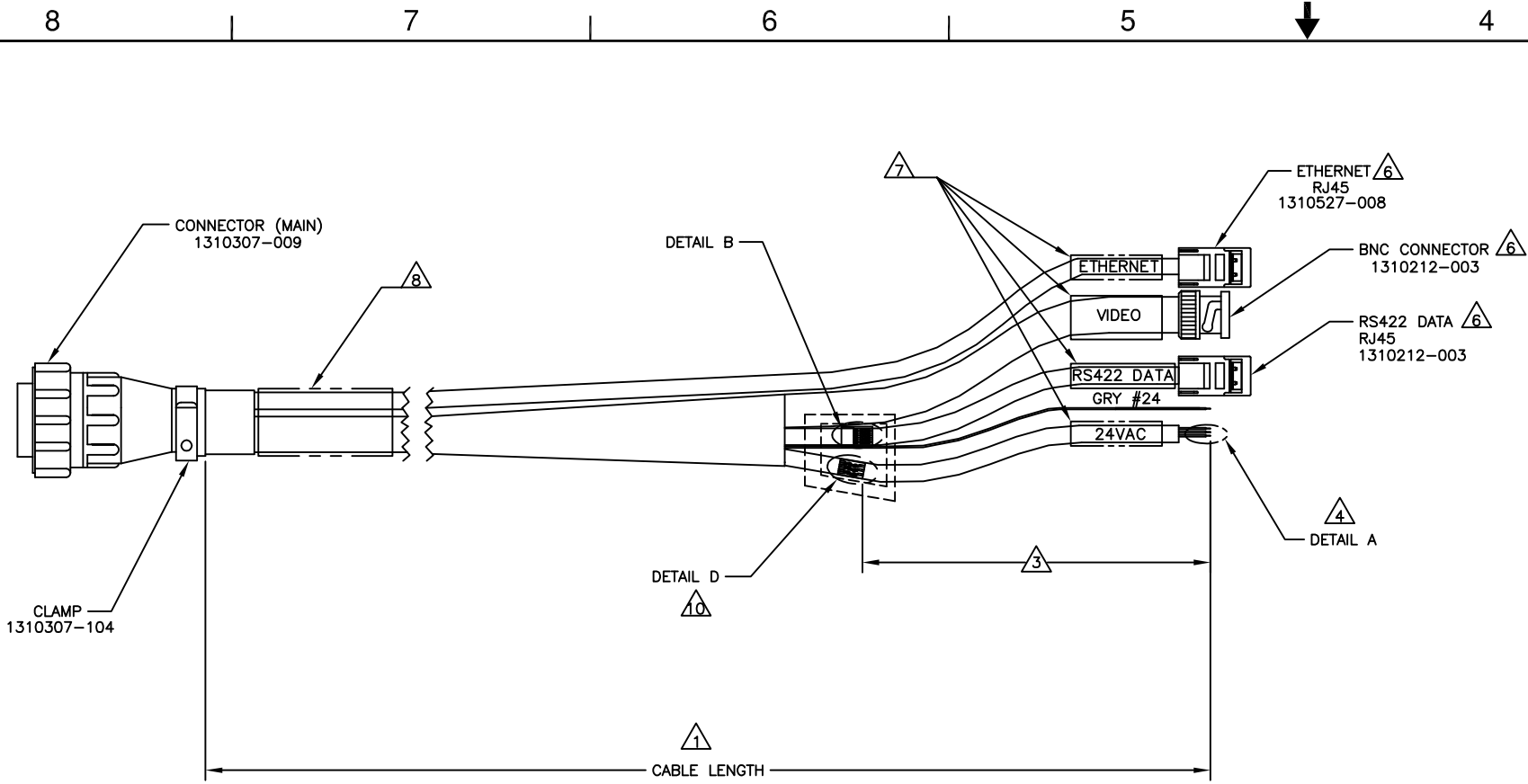
CA271D

CA 271	CONNECTOR (MAIN)	ACCESSORY	ACCESSORY	CONNECTOR RJ-45	CONNECTOR (BNC)	CONNECTOR D9P	ACCESSORY
D	1310307-009	1310307-104 (CLAMP)	1310308-002 (9 CONTACTS) (1,2,8,9,10,11,13,15,16) 1310308-008 (5 CONTACTS) (3,4,5,6,7)	1310527-008	1310212-003	1310136-003	HOOD 1310341-009 (STRAIGHT)



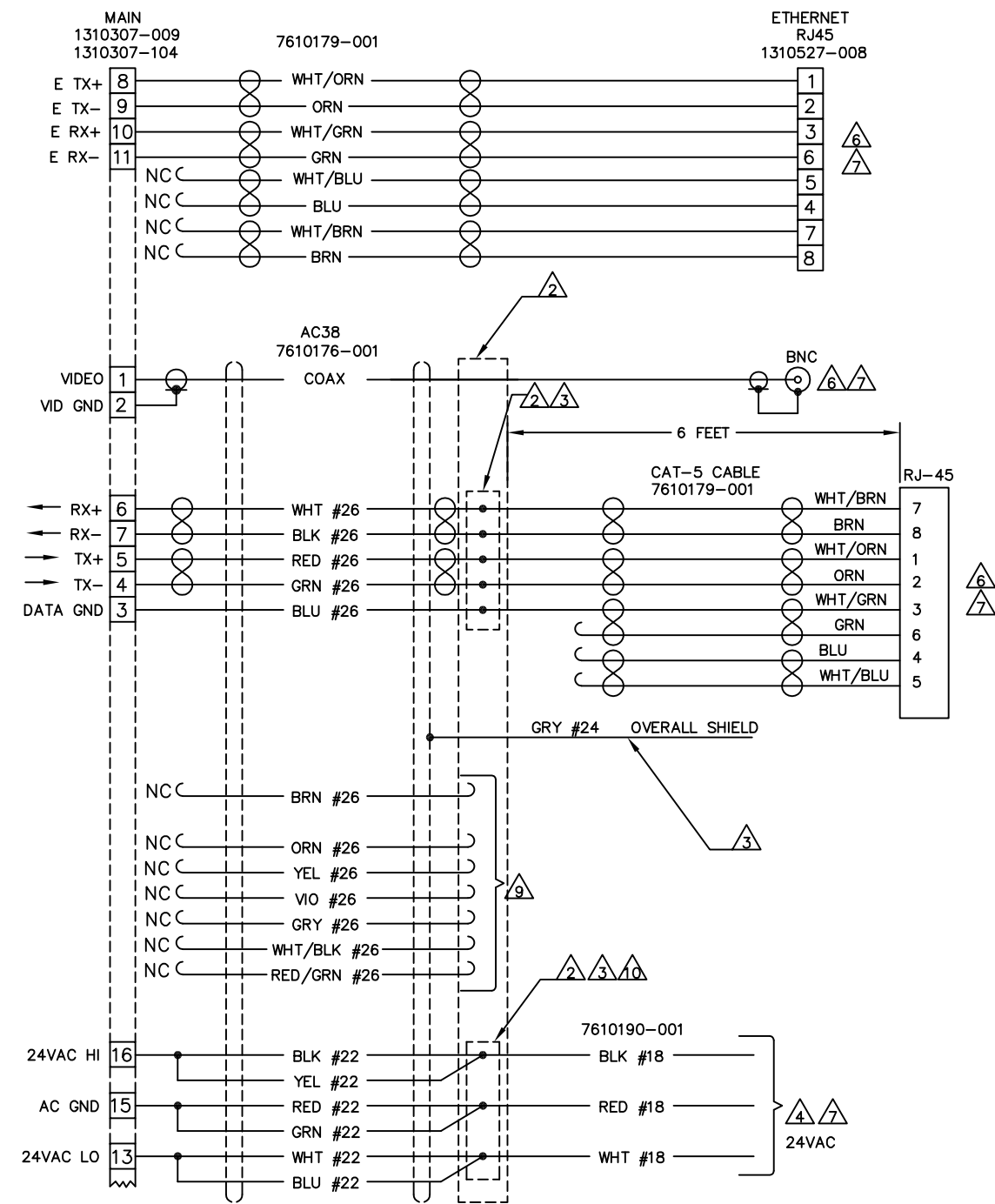
SCHEMATIC

DRAFTER M.C. 11-13-09		ELECTRONICS DIVISION	
CHECKER T.R.		SAN DIEGO CALIFORNIA	
APPD		CABLE ASSEMBLY CA271	
APPD			
RELEASE ECO 030508			
DO NOT SCALE DRAWING			
REF	7411996	SIZE D	CODE IDENT NO. 05157
DASH	REQD	7411271	G
NEXT ASSEMBLY		SCALE NONE	SHEET 3 OF 6



CA271M

CA 271	CONNECTOR (MAIN)	ACCESSORY	ACCESSORY	CONNECTOR RJ45	CONNECTOR (BNC)	RS422 DATA RJ45
M	1310307-009	1310307-104 (CLAMP)	1310308-002 (9 CONTACTS) (1,2,8,9,10,11,13,15,16) 1310308-008 (5 CONTACTS) (3,4,5,6,7)	1310527-008	1310212-003	1310527-008

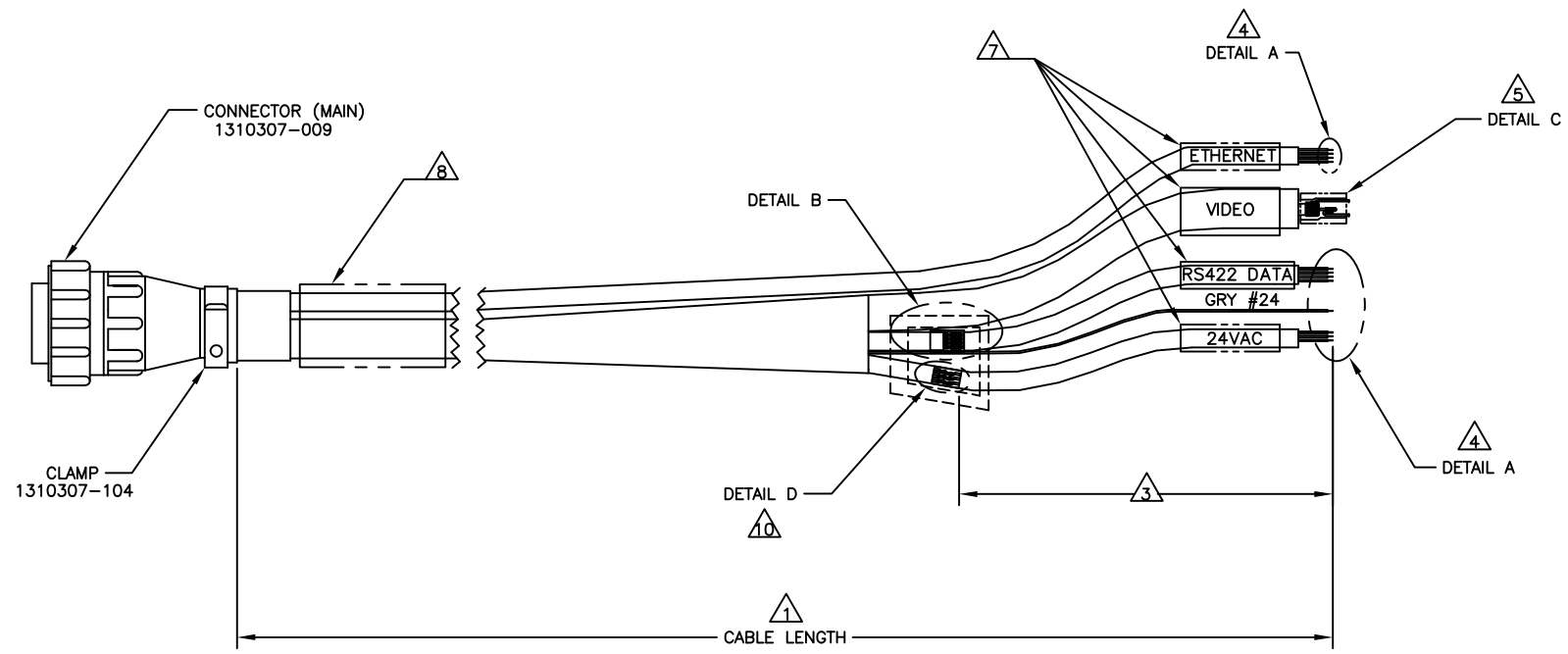


SCHMATIC

DRAFTER M.C. 11-13-09		<b>COHU</b> INC. ELECTRONICS DIVISION SAN DIEGO CALIFORNIA			
CHECKER T.R.					
APPD		CABLE ASSEMBLY CA271			
APPD					
RELEASE ECO 030508					
DO NOT SCALE DRAWING		SIZE D	CODE IDENT NO. 05157	7411271	G
REF 7411996		SCALE NONE	SHEET 4 OF 6	REV	

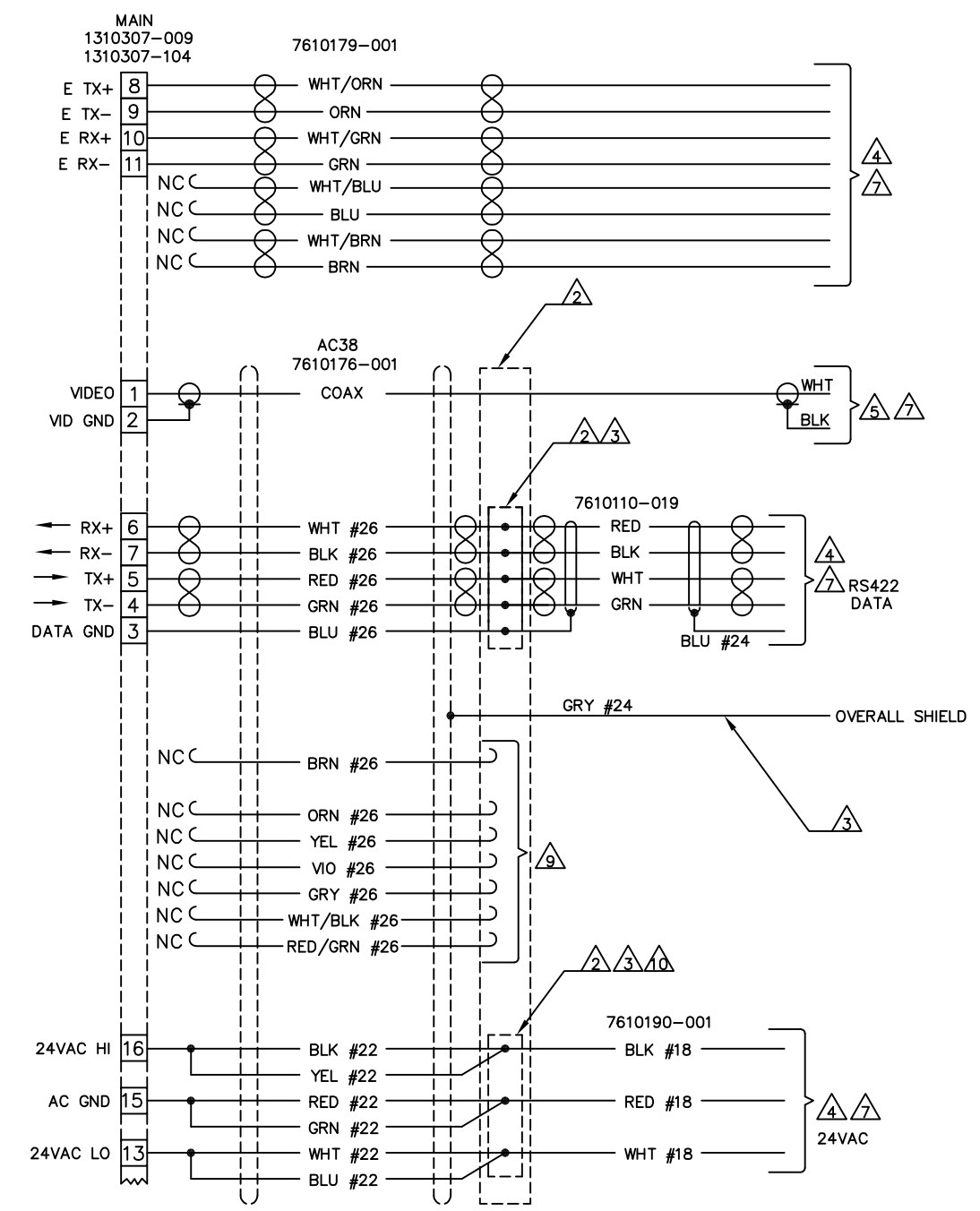
8 7 6 5 4 3 2 1

D  
C  
B  
A



CA271P

CA 271	CONNECTOR (MAIN)	ACCESSORY	ACCESSORY
P	1310307-009	1310307-104 (CLAMP)	1310308-002 (9 CONTACTS) (1,2,8,9,10,11,13,15,16) 1310308-008 (5 CONTACTS) (3,4,5,6,7)



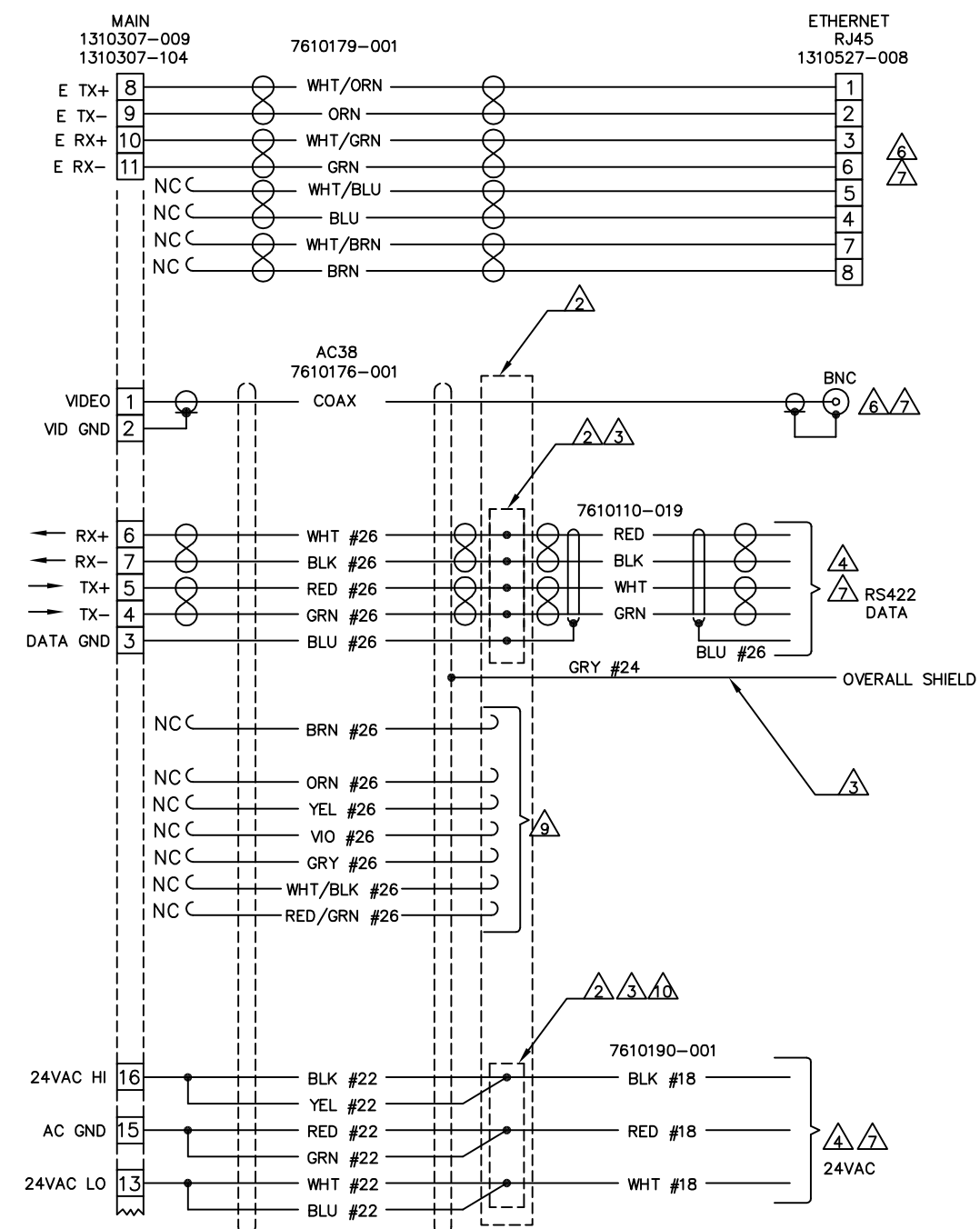
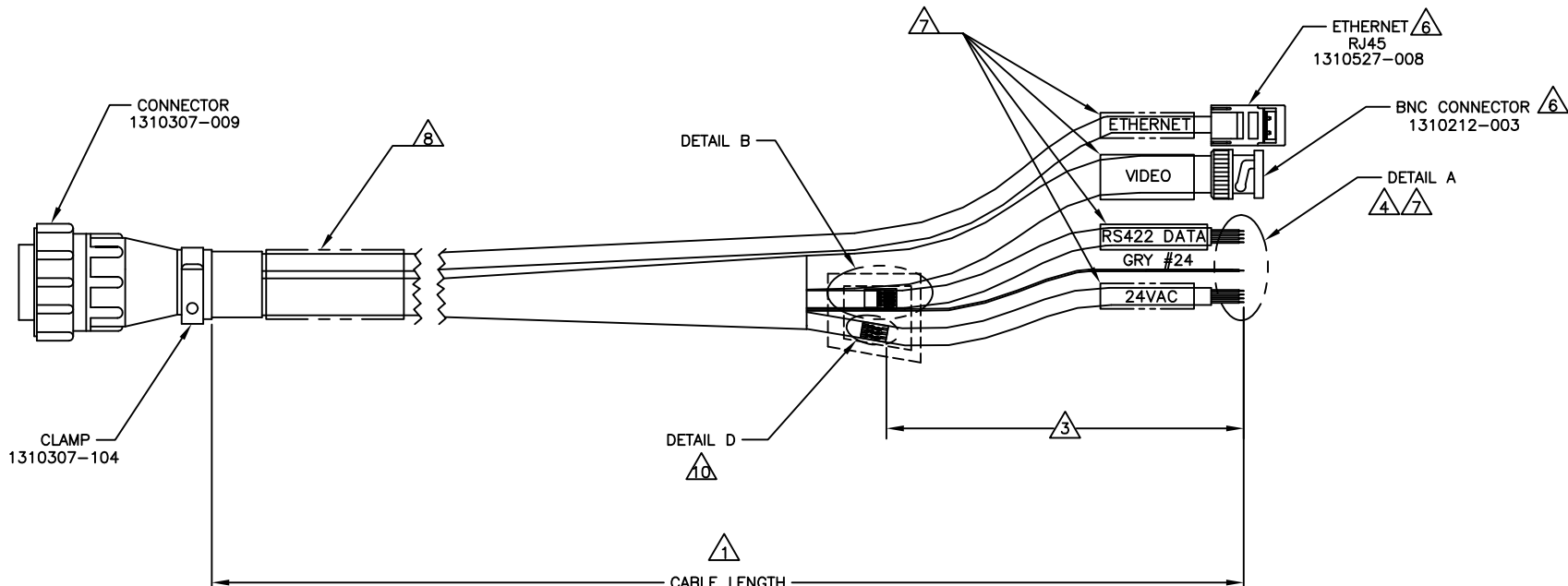
SCHEMATIC

	DRAFTER M.C. 11-13-09	<b>COHU</b> INC.	ELECTRONICS DIVISION SAN DIEGO CALIFORNIA			
	CHECKER T.R.		CABLE ASSEMBLY CA271			
	APPD					
	APPD					
	RELEASE ECO 030508					
	DO NOT SCALE DRAWING	SIZE	CODE IDENT NO.	7411271	G	
REF	7411996	D	05157			
DASH REQD	NEXT ASSEMBLY	SCALE	NONE	SHEET	5 OF 6	REV



8 7 6 5 4 3 2 1

D



CA271Q

CA 271	CONNECTOR (MAIN)	ACCESSORY	ACCESSORY	CONNECTOR RJ-45	CONNECTOR (BNC)
Q	1310307-009	1310307-104 (CLAMP)	1310308-002 (9 CONTACTS) (1,2,8,9,10,11,13,15,16) 1310308-008 (5 CONTACTS) (3,4,5,6,7)	1310527-008	1310212-003

SCHMATIC

A

		DRAFTER M.C. 11-13-09		ELECTRONICS DIVISION		
		CHECKER T.R.		SAN DIEGO CALIFORNIA		
		APPD		CABLE ASSEMBLY CA271		
		APPD				
		RELEASE ECO 030508				
		DO NOT SCALE DRAWING				
REF	7411996		SIZE D	CODE IDENT NO. 05157	7411271 G	
DASH	REQD	NEXT ASSEMBLY	SCALE NONE	SHEET 6 OF 6	REV	

A

