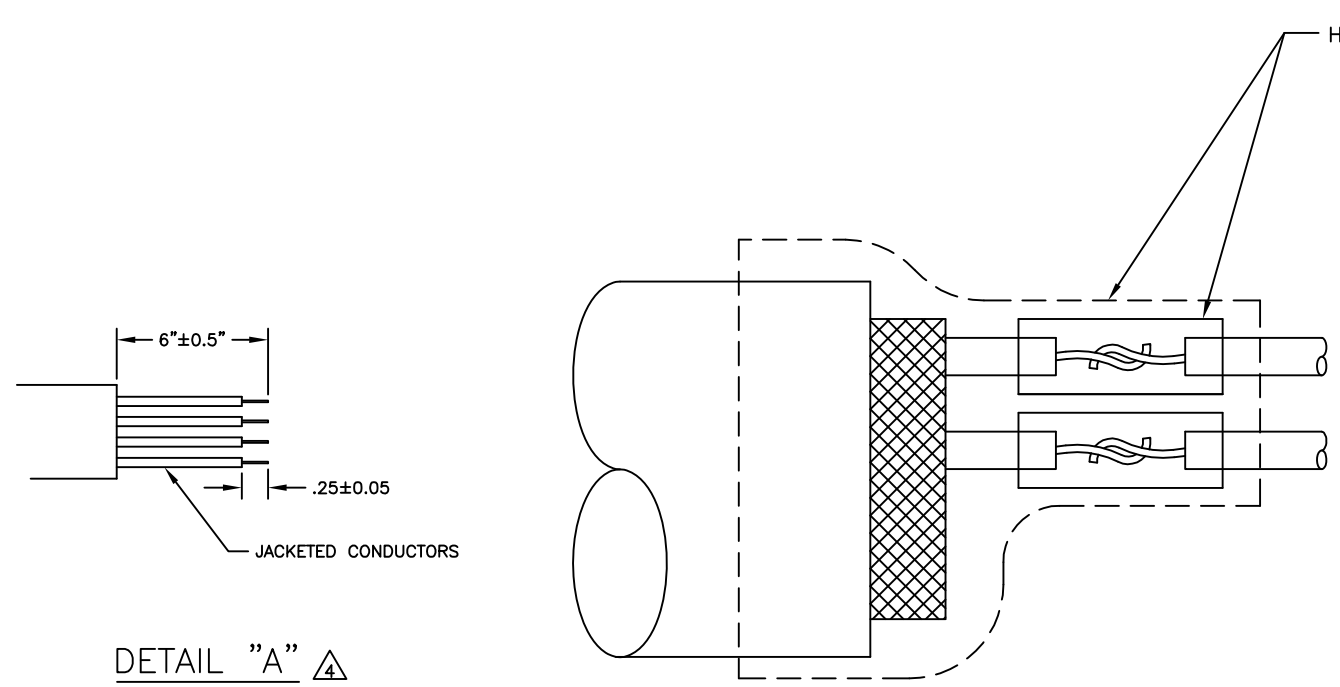
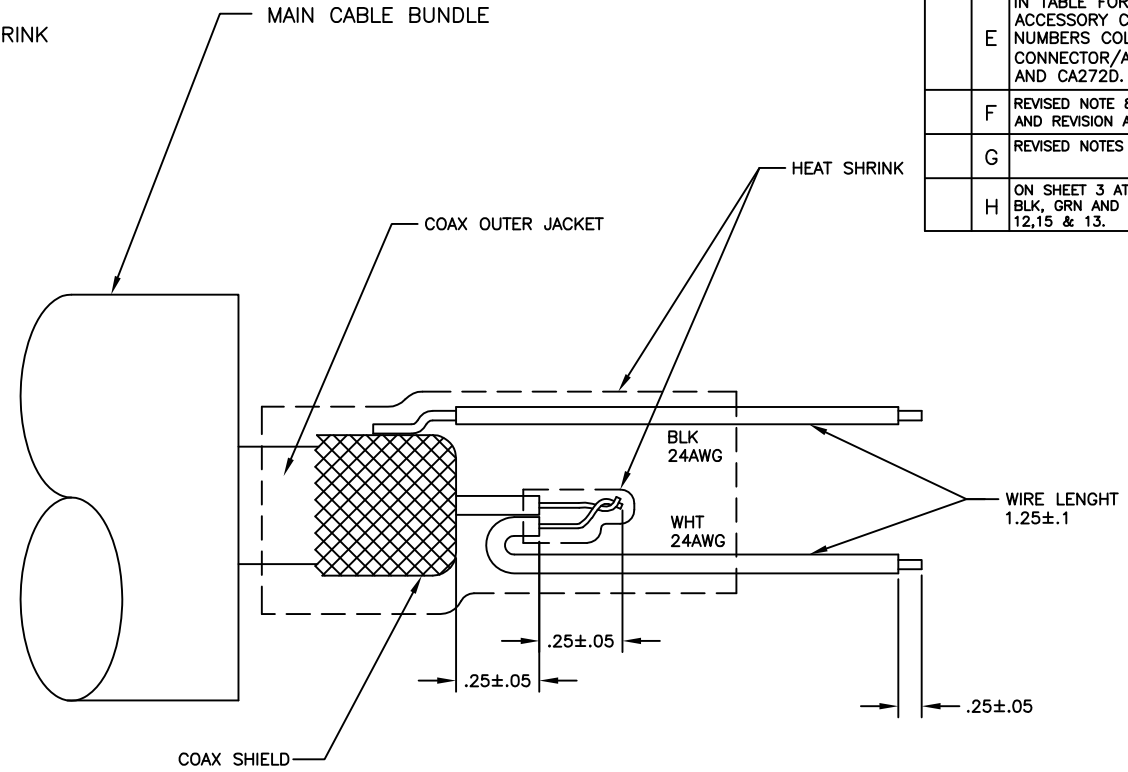


REVISIONS				
ZONE	LTR	DESCRIPTION	DATE	APPROVED
	A	INITIAL RELEASE. ECO 030508	01-08-10 M.C.	DD
	B	PICTURE CHANGE CA272G-1310136-003 WAS 3010101-001. ECO 030574	3-10-10 M.C.	RDL
	C	CA272A, B, D, M, P & Q CLAMP 1310307-104 WAS 1310307-103. ADDED CA272H & SHEET 7. ECO 030608	4-08-10 M.C.	K.L.
	D	SH2: ADDED WIRING VIEW OF 1710487-001. SH5: ADDED CAT5 WIRING. SH6: ADDED D9P CONNECTOR ACCESSORY PART NUMBER. ECO 030625	9-09-10 M.C.	L.G.
	E	IN TABLE FOR CA272A,B,G,M,P & Q ADDED ACCESSORY CONTACT PART NUMBERS AND PIN NUMBERS COLUMN. CA272H REVISED CONNECTOR/ACCESSORIES TABLE. ADDED CA272C AND CA272D. ECO 030833	4-18-11 M.C.	DD
	F	REVISED NOTE 8 (WAS: IDENTIFY WITH PART NUMBER AND REVISION APPROX. WHERE SHOWN). ECO 031159	01-10-12 M.C.	MN
	G	REVISED NOTES 1 & 3. ECO 031171	01-23-12 M.C.	MN
	H	ON SHEET 3 AT SCHEMATIC EXTENDED LINES FOR THE BLK, GRN AND WHT WIRES TO MAIN CONNECTOR PINS 12,15 & 13. ECO 031377	9-28-12 M.C.	MN



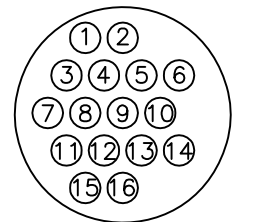
DETAIL "A" Δ

WIRE TERMINATION



DETAIL "C" Δ

COAX TERMINATION



1310307-009
VIEWED FROM
WIRING END

- Δ UNUSED WIRE TO BE CUT FLUSH W/OUTER JACKET AND COVERED BY HEAT SHRINK.
- Δ IDENTIFY WITH THE 'CAxxxx' CABLE NUMBER AS INDICATED IN THIS DRAWING, THE REVISION OF THIS DRAWING, AND THE SPECIFIED CABLE LENGTH APPROX. WHERE SHOWN.
- Δ IDENTIFY WITH NOMENCLATURE INDICATED APPROX. WHERE SHOWN.
- Δ INSTALL CONNECTORS PER MFR. INSTRUCTIONS.
- Δ TERMINATE COAX PER DETAIL C.
- Δ STRIP OUTER JACKET BACK 6" \pm .5". STRIP INDIVIDUAL CONDUCTORS .25" \pm .05" AND TIN WIRE AS REQUIRED BY SCHEMATIC. UNUSED WIRE TO BE CUT FLUSH WITH OUTER JACKET AND COVERED BY HEAT SHRINK IF REQUIRED. SEE DETAIL A.
- Δ FOR CABLE LENGTHS GREATER THAN 10 FEET: STRIP OUTER JACKET OF CABLE BUNDLE BACK 6 FEET. FOR CABLE LENGTHS LESS THAN 10 FEET: STRIP OUTER JACKET OF CABLE 1/2 OF SPECIFIED LENGTH. FOR ALL CABLES: TERMINATE WIRES AS INDICATED BY SCHEMATIC...
- Δ INSTALL SHRINK TUBING OVER SPICED SOLDER JOINTS AS SHOWN IN DETAILS B & D.
- Δ MAX. CABLE LENGTH: 328 FEET FOR 115VAC, 80 FEET FOR 24VAC. MINIMUM CABLE LENGTH IS 2 FEET.

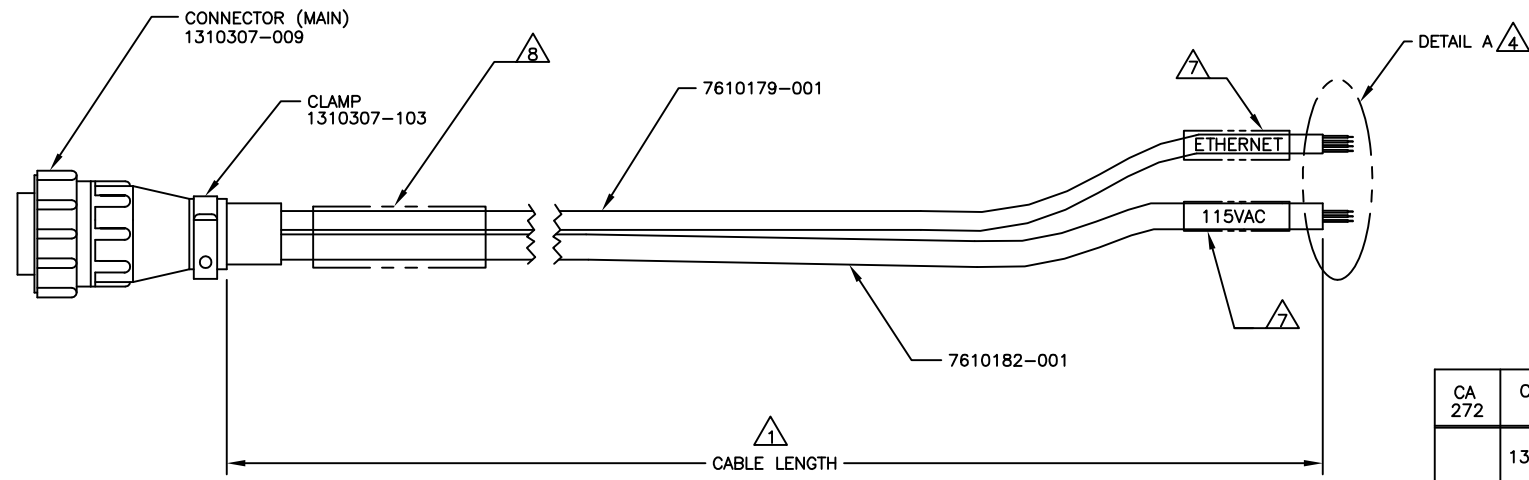
NOTES: UNLESS OTHERWISE SPECIFIED

UNLESS OTHERWISE SPECIFIED DIMENSIONS ARE IN INCHES DIMENSIONS IN () ARE METRIC (mm)		DRAFTER M.C. 11-11-09		ELECTRONICS DIVISION	
TOLERANCES ARE:		CHECKER D.D.		SAN DIEGO CALIFORNIA	
INCHES .00 \pm .03 (0.0) \pm 1.0 \pm 0' 30"		APPD	<p style="text-align: center;">CABLE ASSEMBLY CA272</p>		
MILLIMETERS .000 \pm .010 (0.00) \pm 0.25		APPD			
ANGLES		RELEASE ECO 030397			
TOLERANCES		DO NOT SCALE DRAWING			
INCHES TOLERANCES			SIZE	CODE IDENT NO.	
.013 THRU +.004 (-0.20) THRU +.10			D	05157	
.125 -.001 (3.20) -.02			7411272		
.126 THRU +.008 (8.21) THRU +.13			H		
.250 -.001 (6.35) -.02			SCALE NONE		
.251 THRU +.006 (6.35) THRU +.16			SHEET 1 OF 8		
.500 -.001 (12.70) -.02					
.501 THRU +.008 (12.71) THRU +.20					
.750 -.001 (20.0) -.02					
REF	7411996	MATERIAL			
DASH	REQD	NEXT ASSEMBLY			

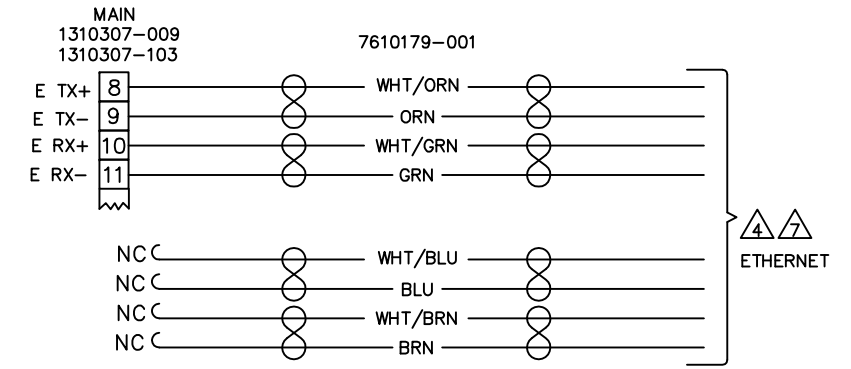
8 7 6 5 4 3 2 1

D

D



CA 272	CONNECTOR (MAIN)	ACCESSORY	ACCESSORY
A	1310307-009	1310307-103 (CLAMP)	1310308-002 (4 CONTACTS) (8,9,10,11) 1310308-004 (3 CONTACTS) (12,13,15)

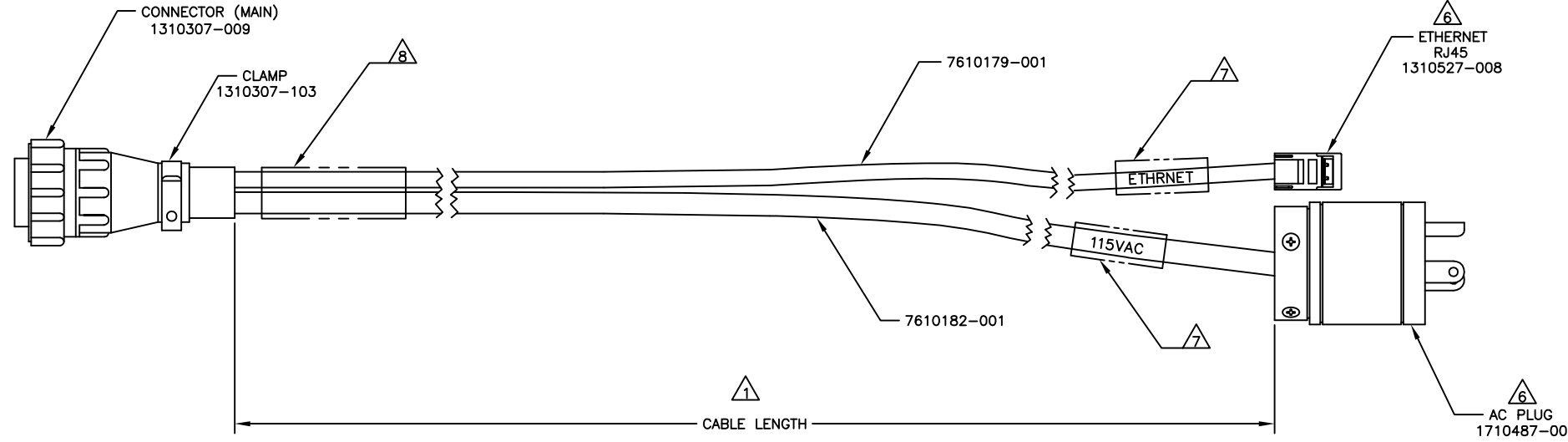


CA272A

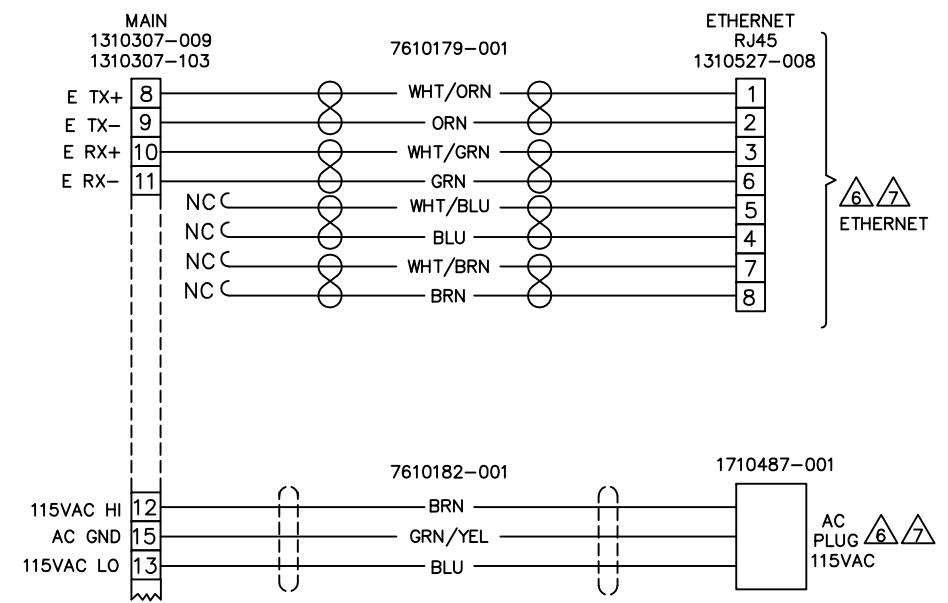
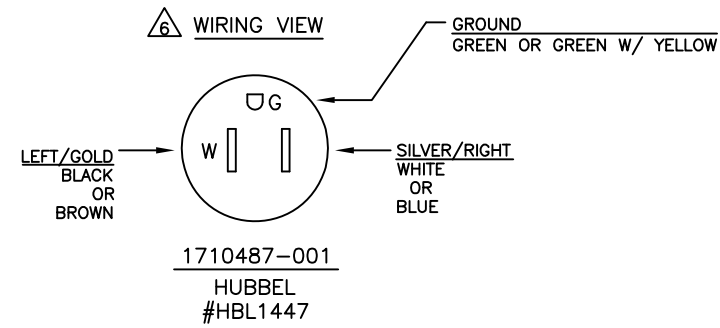
SCHEMATIC

C

C



CA 272	CONNECTOR (MAIN)	ACCESSORY	ACCESSORY	CONNECTOR RJ45	AC PLUG
B	1310307-009	1310307-103 (CLAMP)	1310308-002 (4 CONTACTS) (8,9,10,11) 1310308-004 (3 CONTACTS) (12,13,15)	1310527-008	1710487-001



SCHEMATIC

B

B

A

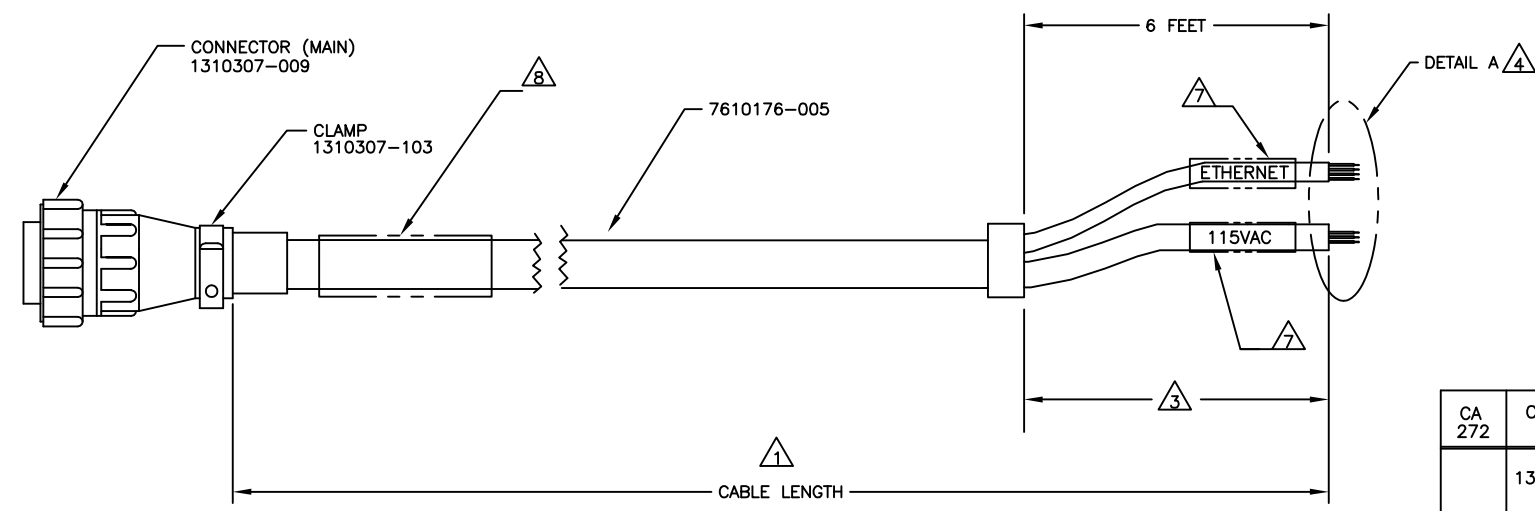
A

DRAFTER M.C. 11-11-09		COHU INC. ELECTRONICS DIVISION	
CHECKER D.D.		SAN DIEGO CALIFORNIA	
APPD		CABLE ASSEMBLY CA272	
APPD			
RELEASE ECO 030508			
DO NOT SCALE DRAWING			
REF	7411996	SIZE D	CODE IDENT NO. 05157
DASH	REQD	7411272	H
NEXT ASSEMBLY		SCALE NONE	SHEET 2 OF 8
			REV

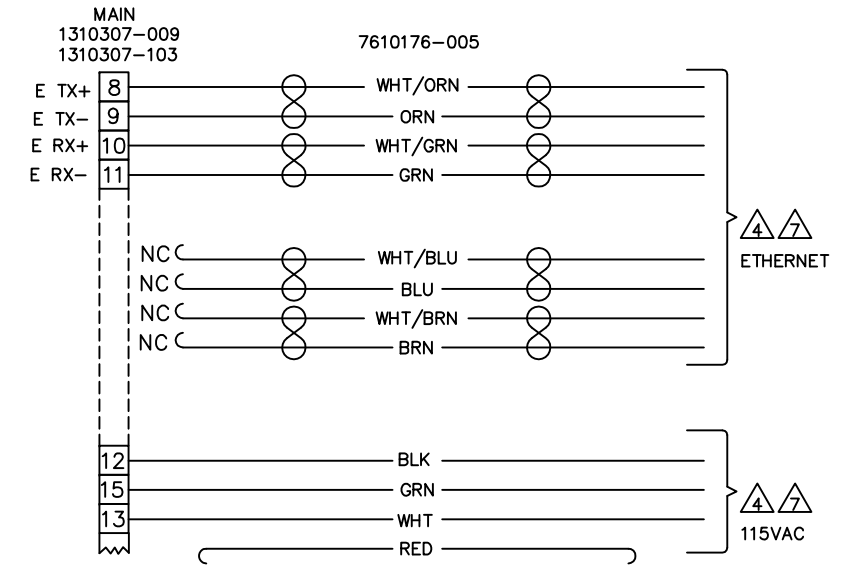


8 7 6 5 4 3 2 1

D



CA 272	CONNECTOR (MAIN)	ACCESSORY	ACCESSORY
C	1310307-009	1310307-103 (CLAMP)	1310308-002 (4 CONTACTS) (8,9,10,11) 1310308-004 (3 CONTACTS) (12,13,15)

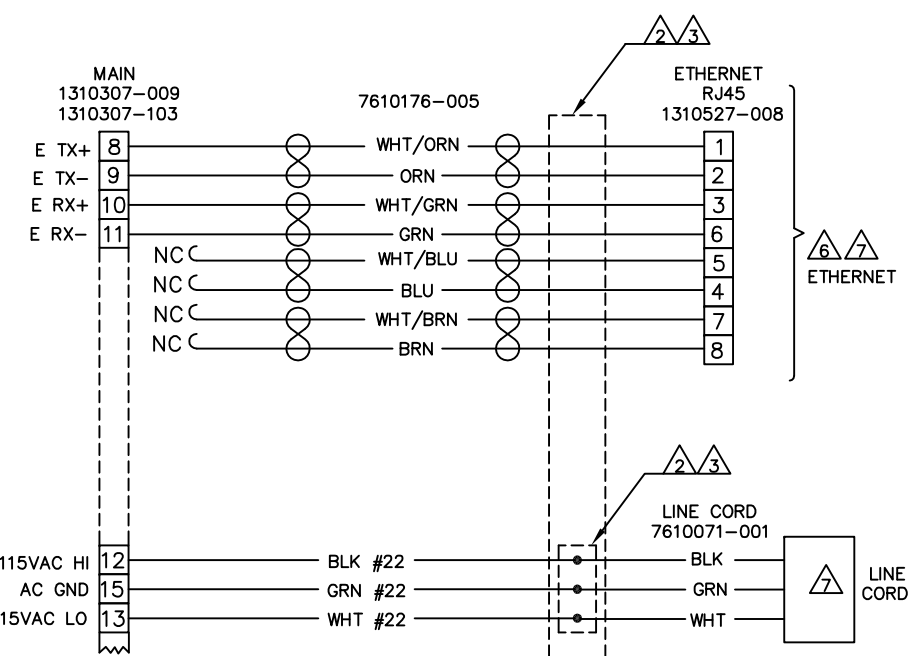
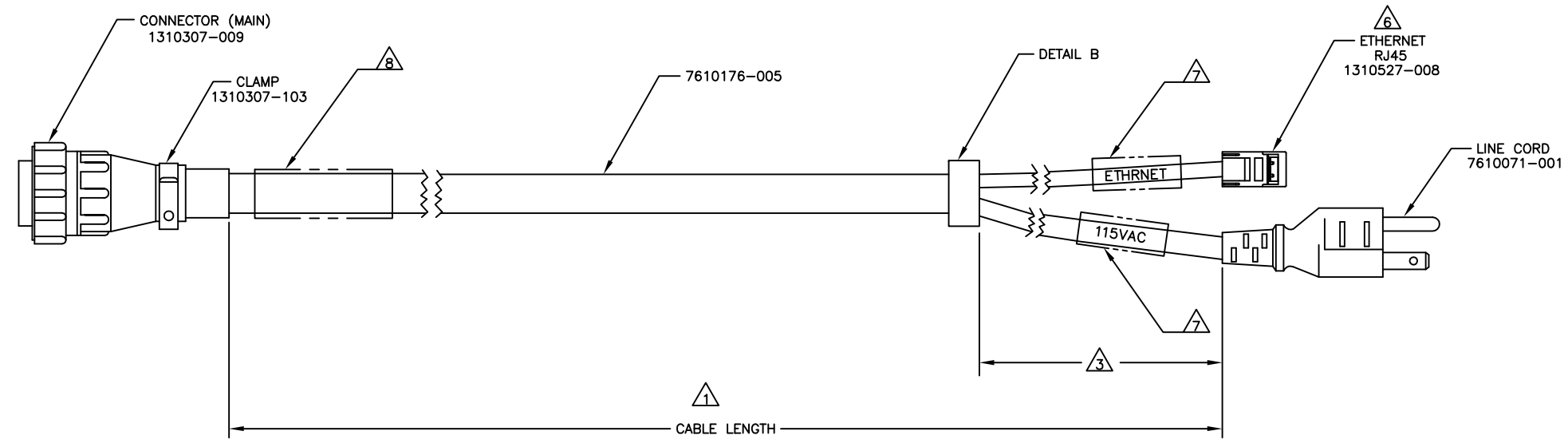


CA272C

SCHEMATIC

C

B



CA272D

SCHEMATIC

B

A

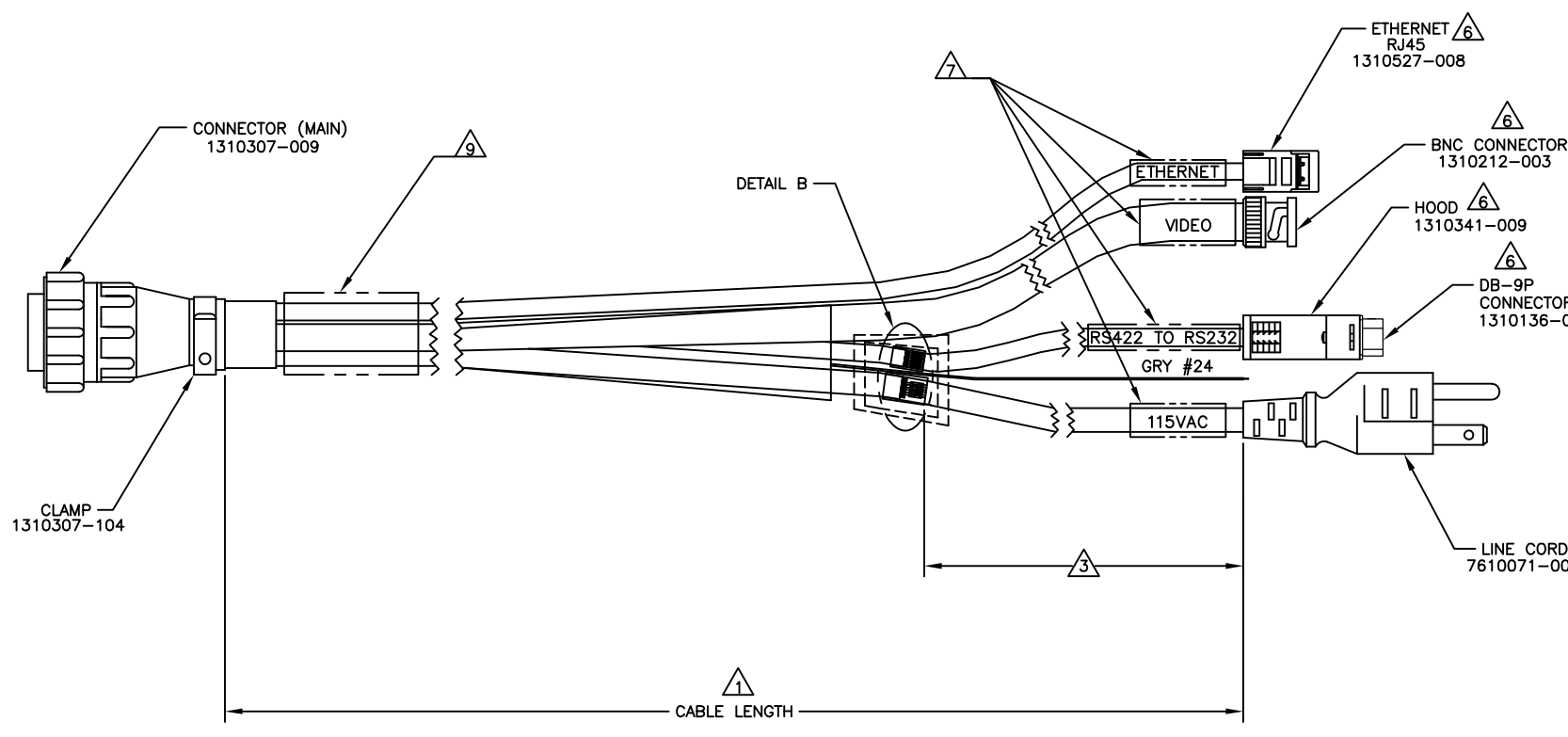
CA 272	CONNECTOR (MAIN)	ACCESSORY	ACCESSORY	CONNECTOR RJ45	LINE CORD
D	1310307-009	1310307-103 (CLAMP)	1310308-002 (4 CONTACTS) (8,9,10,11) 1310308-004 (3 CONTACTS) (12,13,15)	1310527-008	7610071-001

DRAFTER M.C. 04-30-11		COHU INC.	ELECTRONICS DIVISION			
CHECKER D.D.			SAN DIEGO CALIFORNIA			
APPD		CABLE ASSEMBLY CA272				
APPD						
RELEASE ECO 030833		DO NOT SCALE DRAWING				
REF	7411996	SIZE	CODE IDENT NO.	D 05157	7411272	H
DASH	REQD	NEXT ASSEMBLY	SCALE	NONE	SHEET	3 OF 8
				REV		

↑

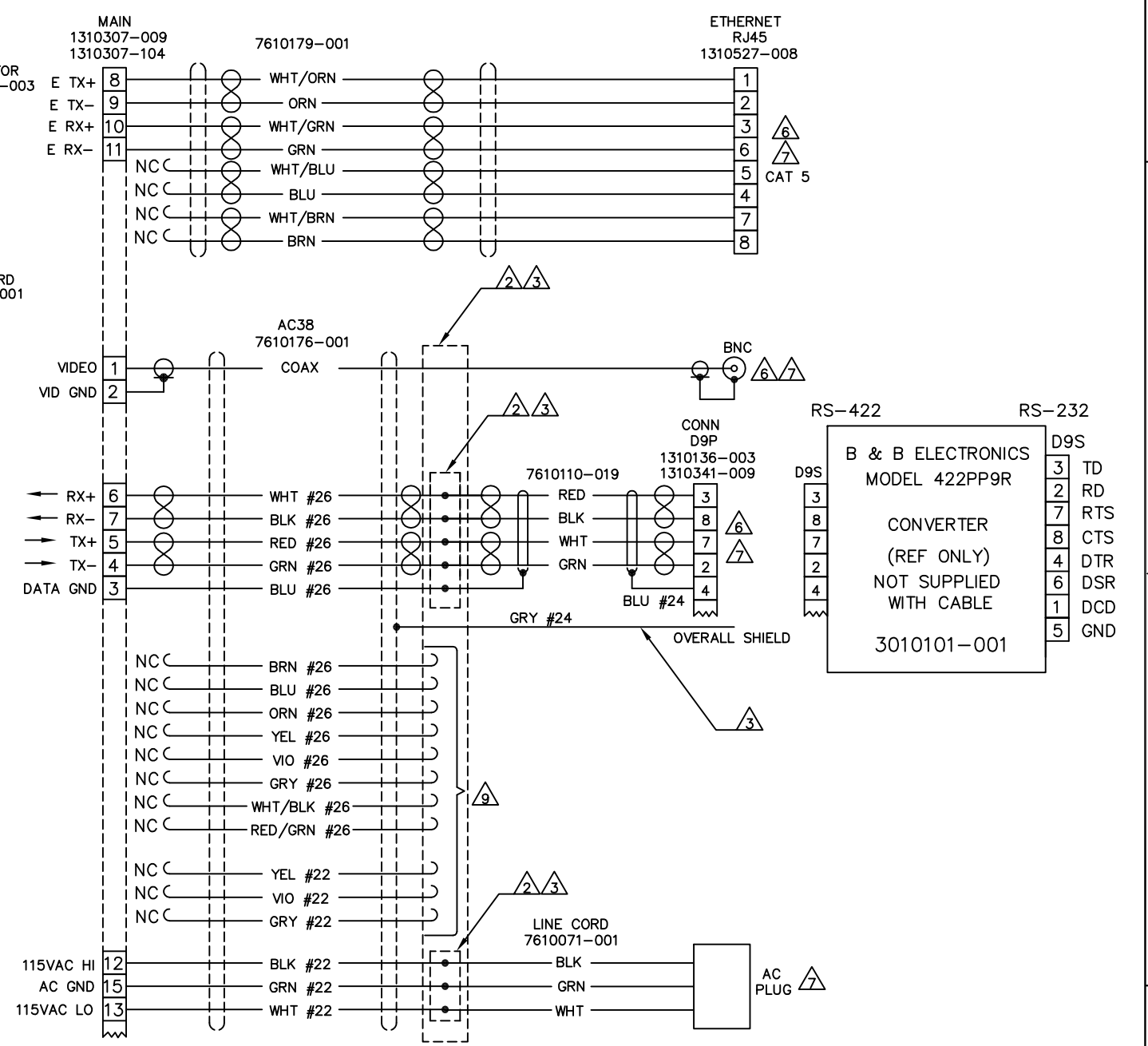
8 7 6 5 4 3 2 1

D
C
B
A



CA272G

CA 272	CONNECTOR (MAIN)	ACCESSORY	ACCESSORY	CONNECTOR RJ-45	CONNECTOR (BNC)	CONNECTOR D9P	ACCESSORY	AC PLUG
G	1310307-009	1310307-104 (CLAMP)	1310308-002 (9 CONTACTS) (1,2,8,9,10,11,12,13,15) 1310308-008 (5 CONTACTS) (3,4,5,6,7)	1310527-008	1310212-003	1310136-003	HOOD 1310341-009 (STRAIGHT)	7610071-001



SCHMATIC

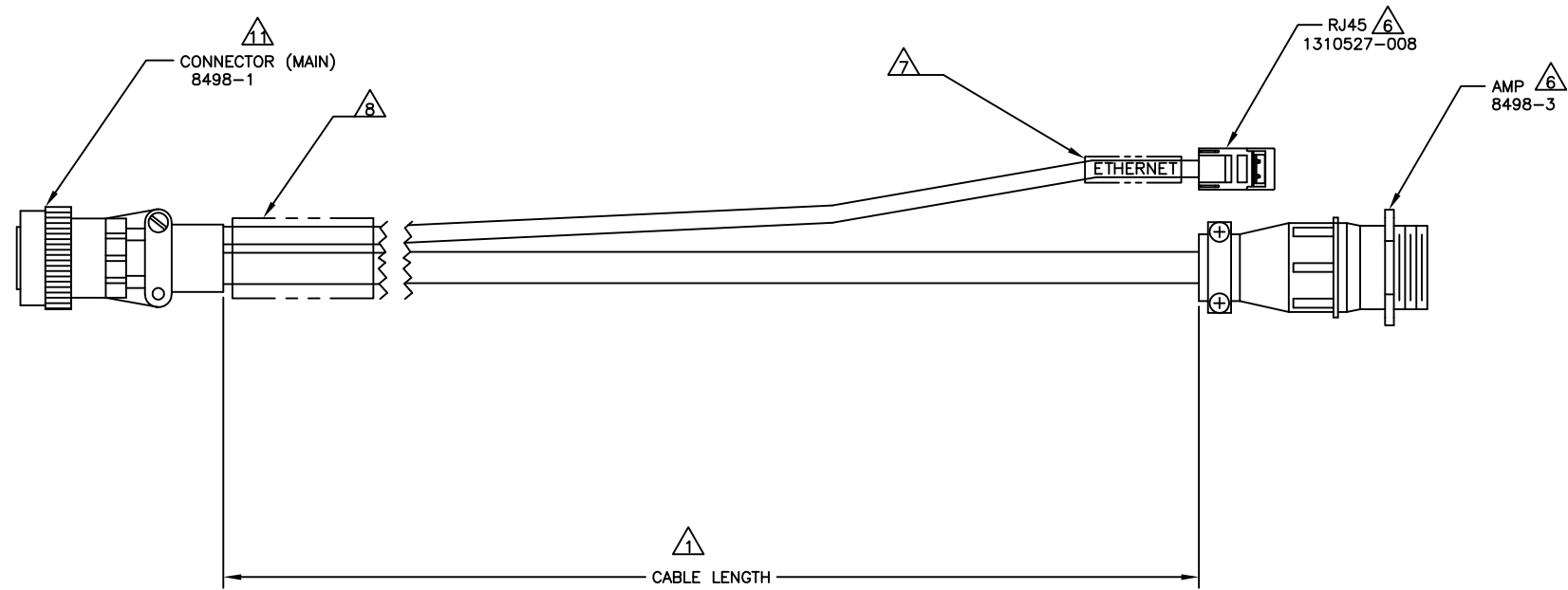
DRAFTER M.C. 11-11-09		COHU INC. ELECTRONICS DIVISION SAN DIEGO CALIFORNIA	
CHECKER D.D.			
APPD		CABLE ASSEMBLY CA272	
APPD			
RELEASE ECO 030508			
DO NOT SCALE DRAWING		SIZE CODE IDENT NO. D 05157 7411272 H	
REF	7411996	SCALE NONE SHEET 4 OF 8 REV	
DASH	REQD NEXT ASSEMBLY		

D

C

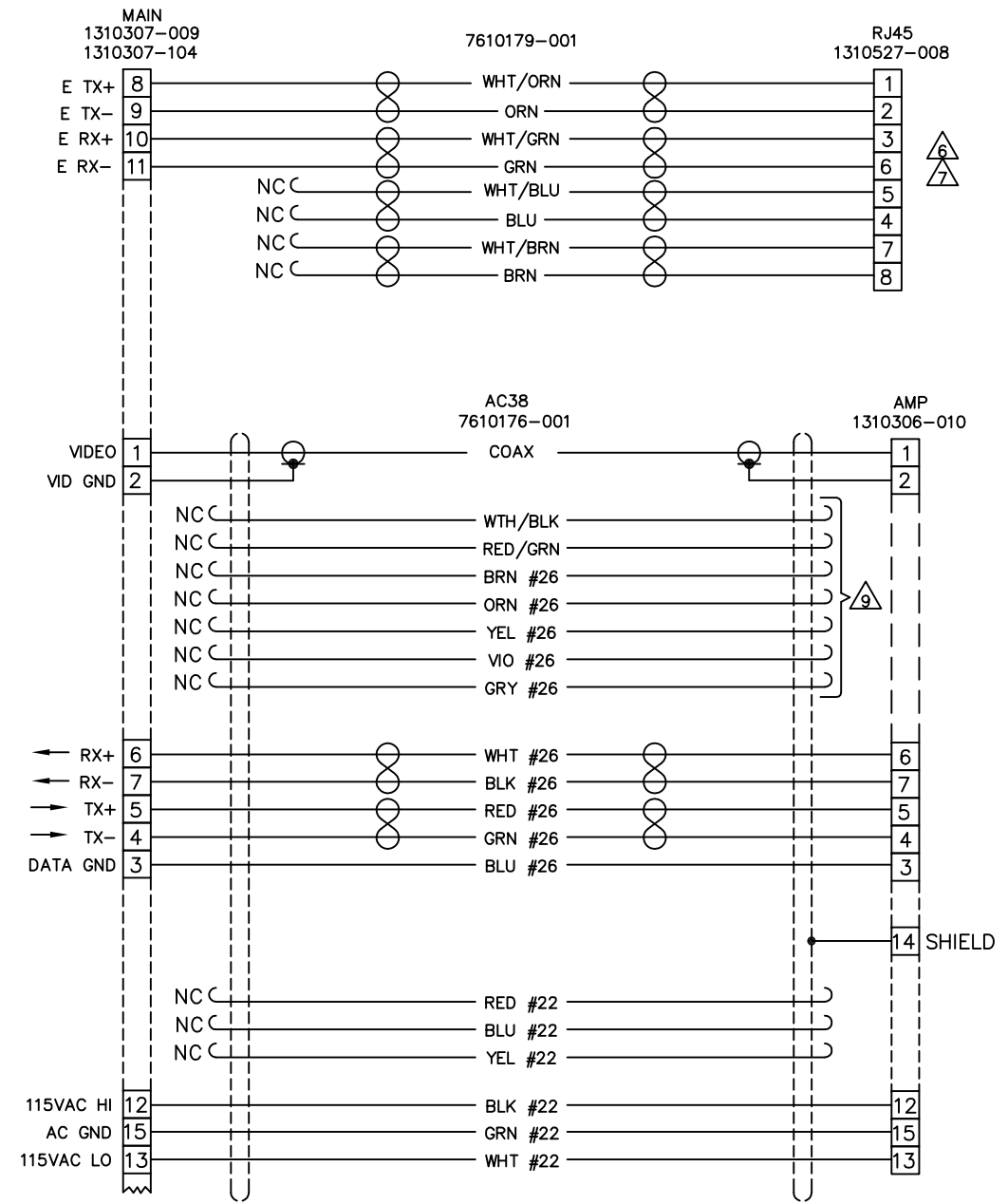
B

A



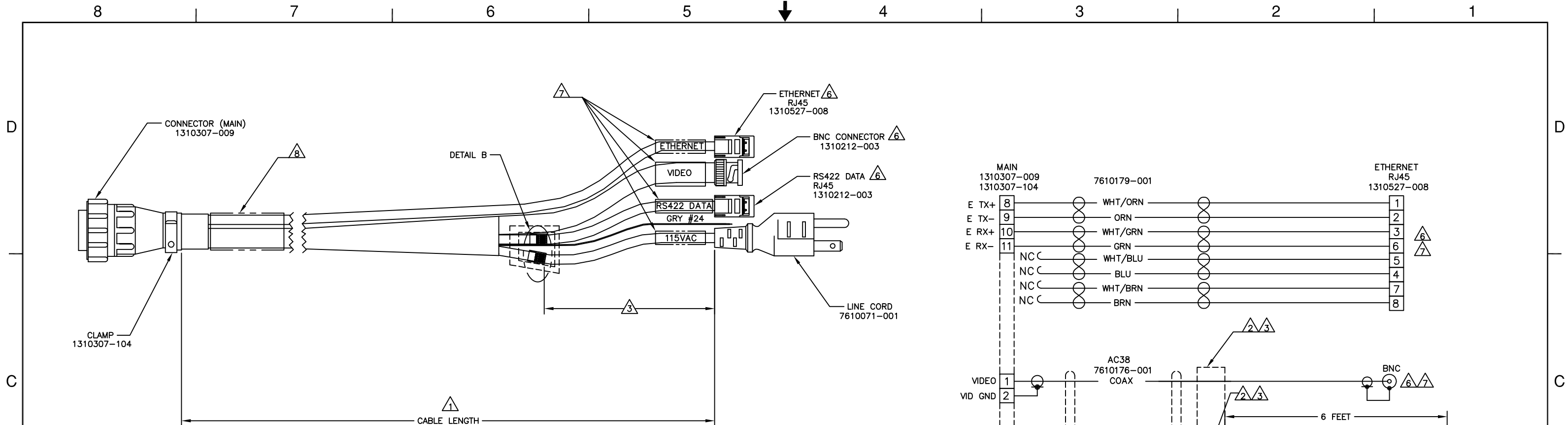
CA272H

CA 272	CONNECTOR (MAIN)	ACCESSORY	ACCESSORY	CONNECTOR RJ45)	CONNECTOR (AMP)	ACCESSORY	ACCESSORY
H	1310307-009	1310307-104 (CLAMP)	1310308-002 (9 CONTACTS) (1,2,8,9,10,11,12,13,15) 1310308-008 (5 CONTACTS) (3,4,5,6,7)	1310527-008	1310306-010	1310307-103 (CLAMP)	1310308-001 (6 CONTACTS) (1,2,12,13,14,15) 1310308-007 (5 CONTACTS) (3,4,5,6,7)



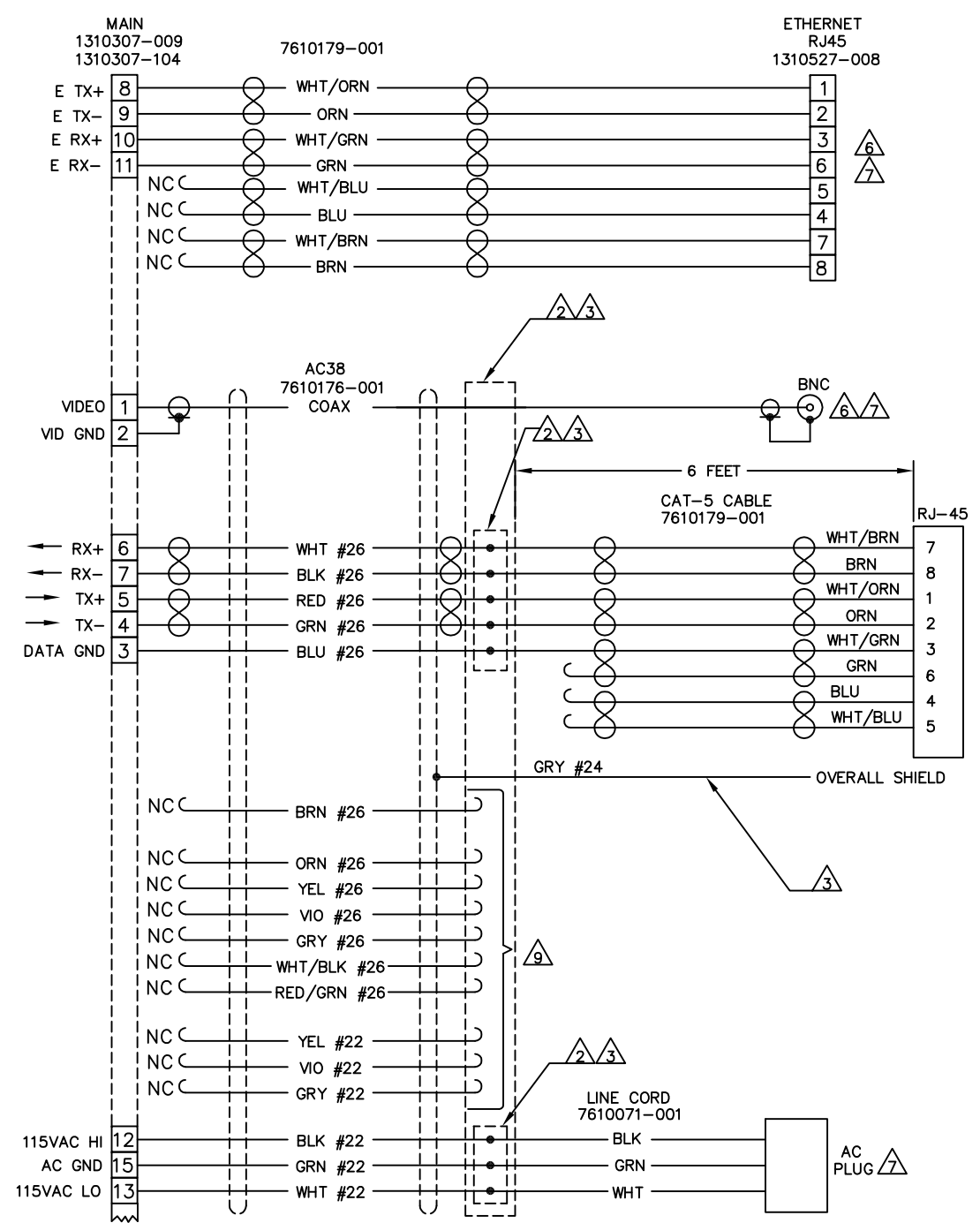
SCHMATIC

DRAFTER M.C. 11-11-09				ELECTRONICS DIVISION	
CHECKER DD				SAN DIEGO CALIFORNIA	
APPD		CABLE ASSEMBLY CA272 SERIES			
APPD					
RELEASE ECO 030508					
DO NOT SCALE DRAWING					
REF	7411996	SIZE	CODE IDENT NO.	7411272	H
DASH	REQD	SCALE	NONE	SHEET	5 OF 8
NEXT ASSEMBLY				REV	



CA272M

CA 272	CONNECTOR (MAIN)	ACCESSORY	ACCESSORY	CONNECTOR RJ45	CONNECTOR (BNC)	RS422 DATA RJ45	AC PLUG
M	1310307-009	1310307-104 (CLAMP)	1310308-002 (9 CONTACTS) (1,2,8,9,10,11,12,13,15) 1310308-008 (5 CONTACTS) (3,4,5,6,7)	1310527-008	1310212-003	1310527-008	7610071-001



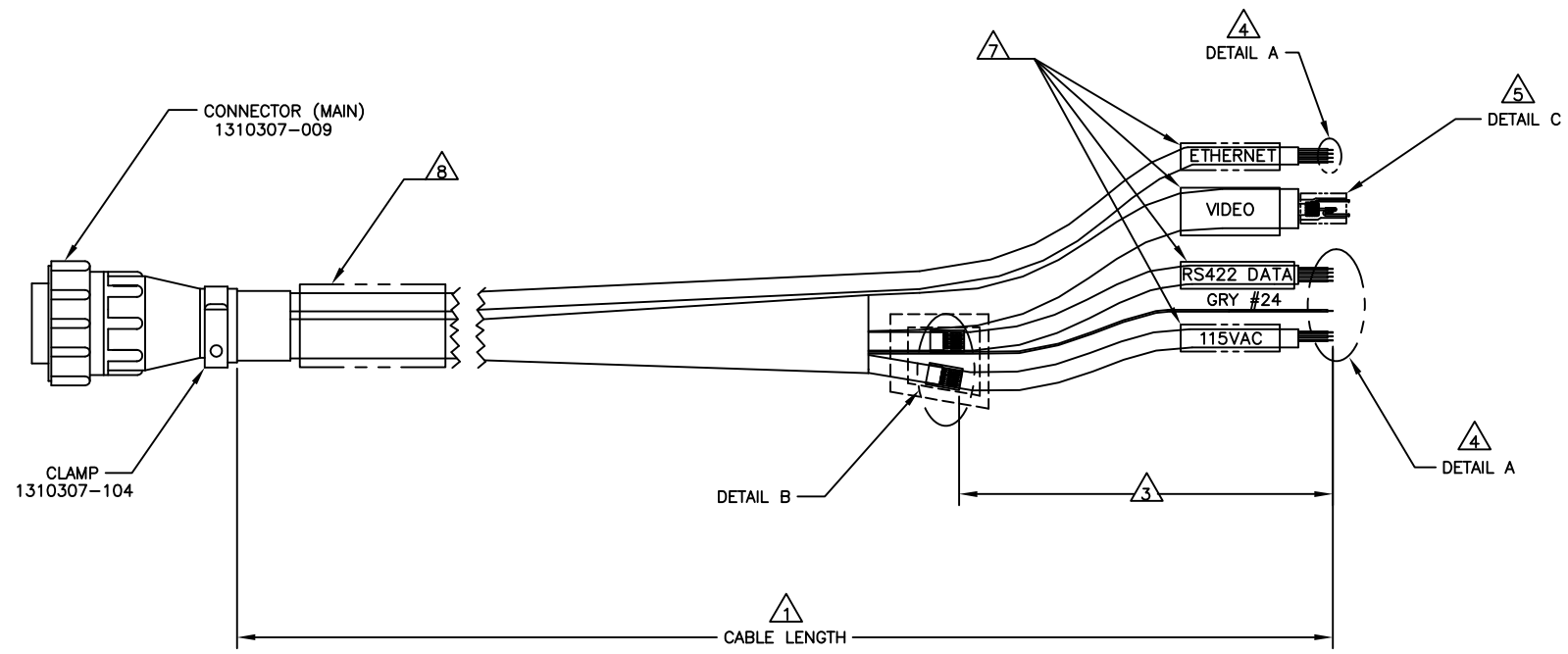
SCHEMATIC

DRAFTER M.C. 11-11-09		COHU INC. ELECTRONICS DIVISION SAN DIEGO CALIFORNIA			
CHECKER D.D.					
APPD		CABLE ASSEMBLY CA272			
APPD					
RELEASE ECO 030508					
DO NOT SCALE DRAWING		SIZE D	CODE IDENT NO. 05157	7411272	H
REF 7411996		SCALE NONE	SHEET 6 OF 8	REV	

8 7 6 5 4 3 2 1

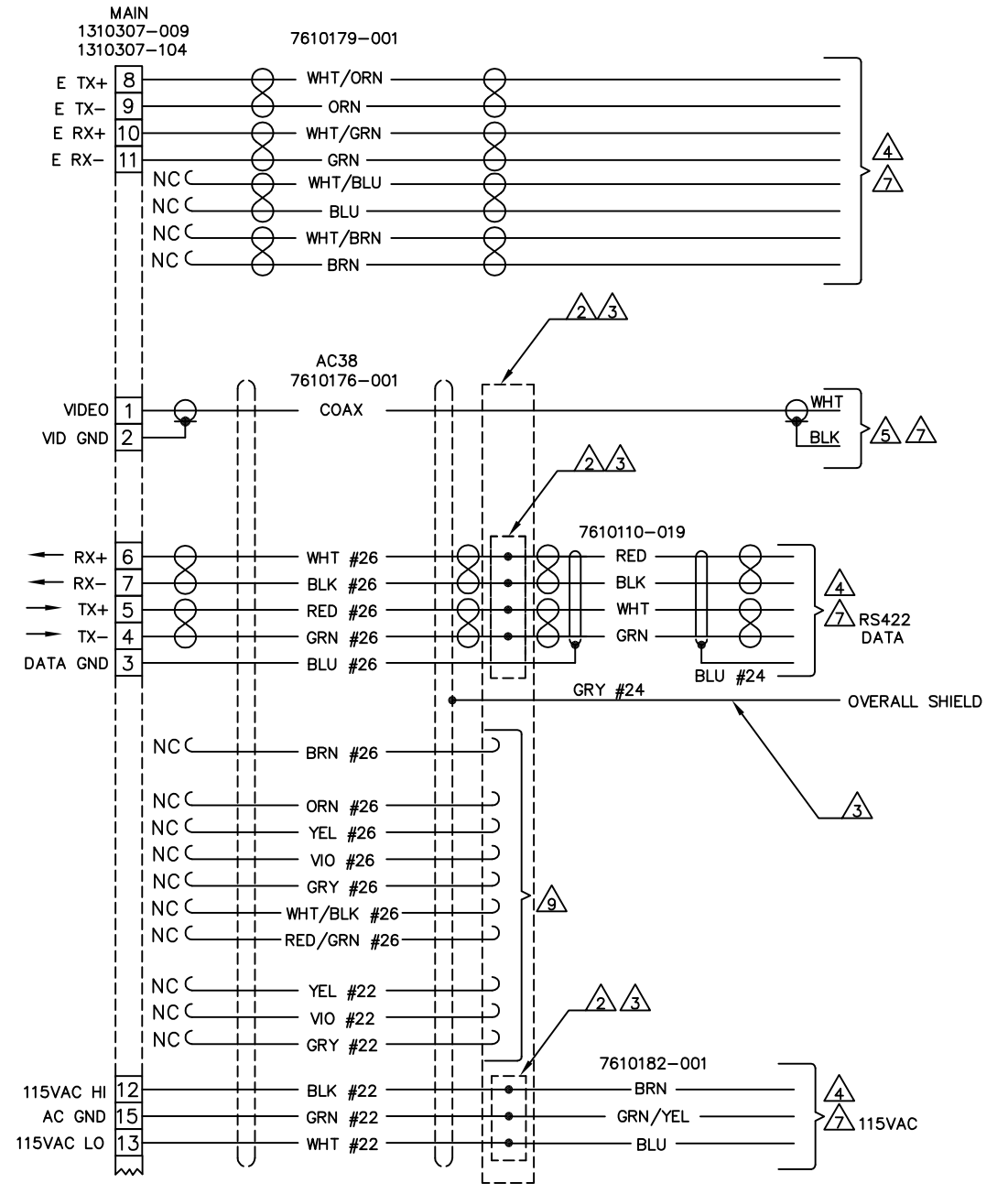
D

D



CA272P

CA 272	CONNECTOR (MAIN)	ACCESSORY	ACCESSORY
P	1310307-009	1310307-104 (CLAMP)	1310308-002 (9 CONTACTS) (1,2,8,9,10,11,12,13,15) 1310308-008 (5 CONTACTS) (3,4,5,6,7)



SCHEMATIC

C

C

B

B

A

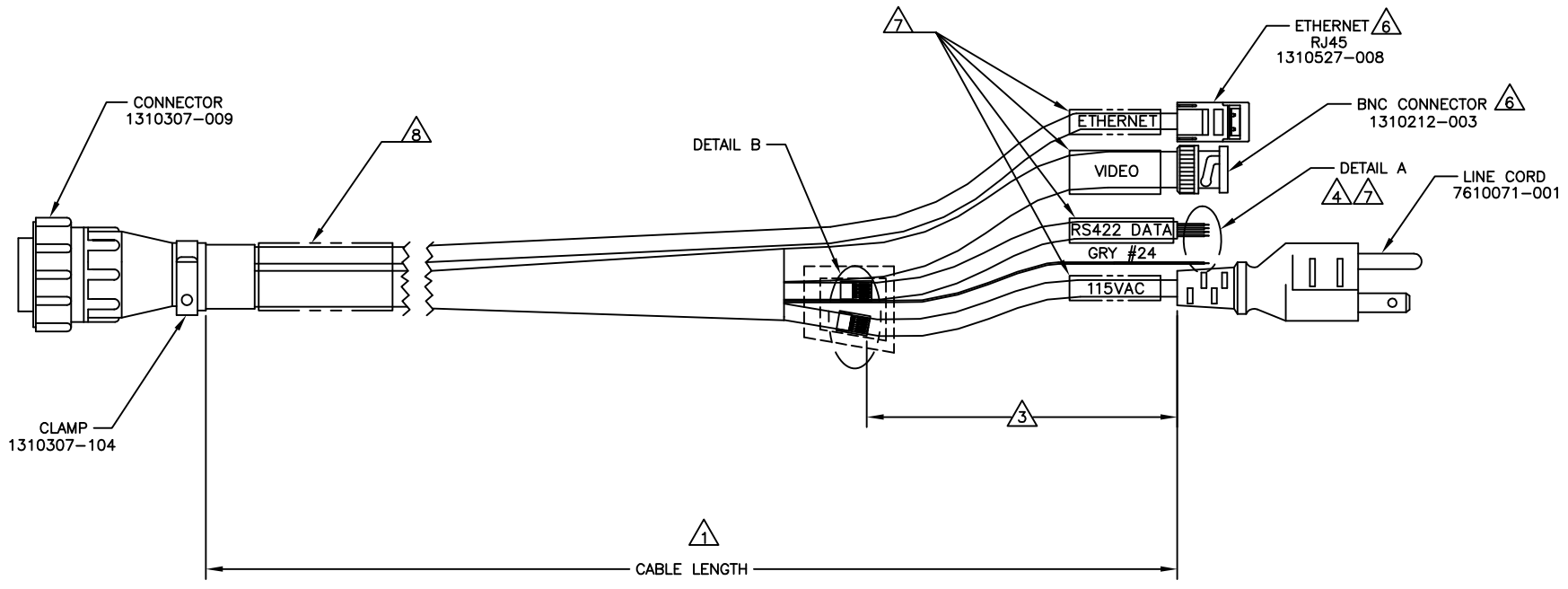
A

		DRAFTER M.C. 11-11-09	COHU INC.	ELECTRONICS DIVISION	
		CHECKER D.D.		SAN DIEGO CALIFORNIA	
		APPD	CABLE ASSEMBLY CA272		
		APPD			
		RELEASE ECO 030508			
		DO NOT SCALE DRAWING	SIZE	CODE IDENT NO.	
REF	7411996		D	05157	7411272 H
DASH	REQD	NEXT ASSEMBLY	SCALE	NONE	SHEET 7 OF 8 REV



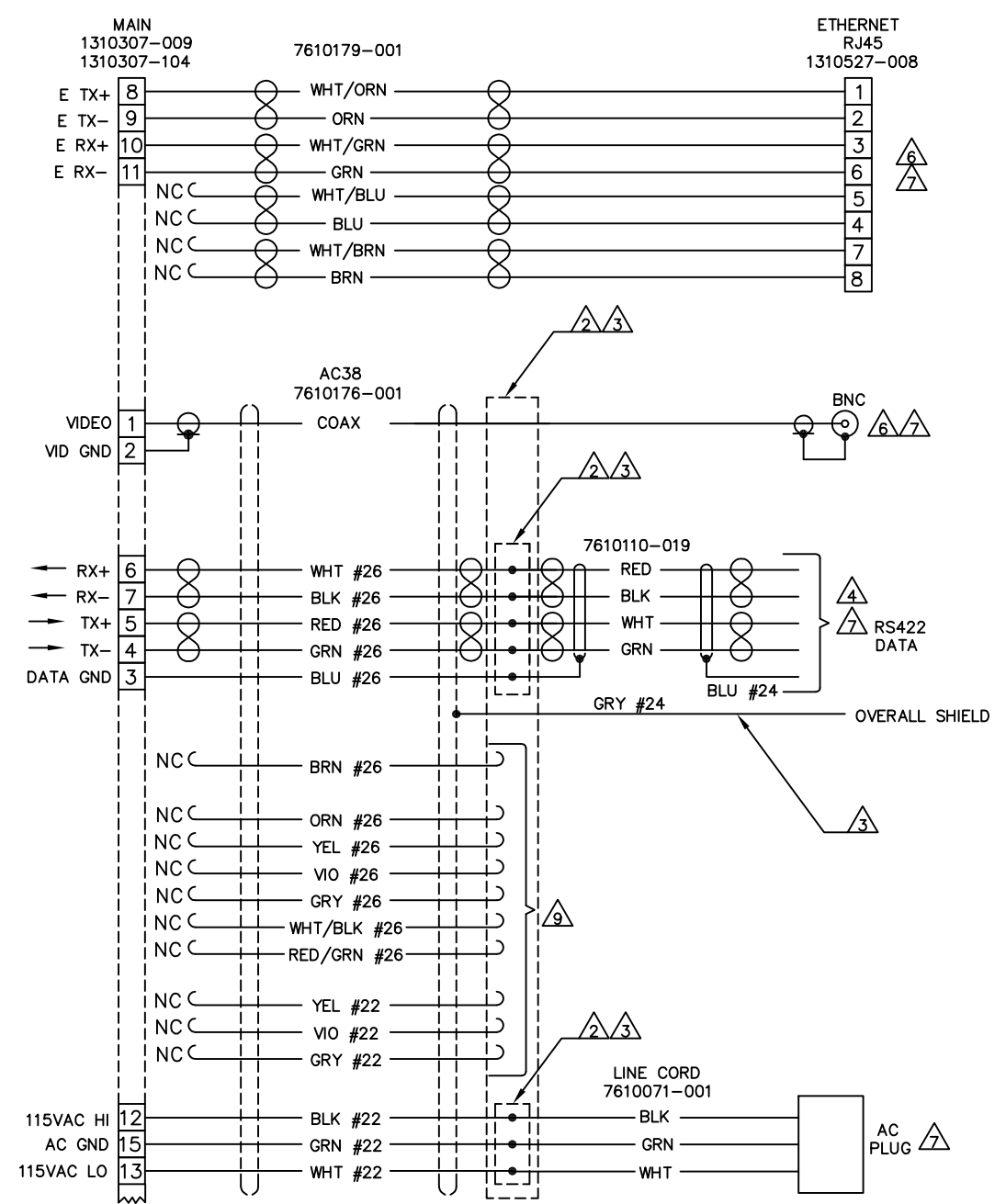
8 7 6 5 4 3 2 1

D



CA272Q

CA 272	CONNECTOR (MAIN)	ACCESSORY	ACCESSORY	CONNECTOR RJ-45	CONNECTOR (BNC)	AC PLUG
Q	1310307-009	1310307-104 (CLAMP)	1310308-002 (9 CONTACTS) (1,2,8,9,10,11,12,13,15) 1310308-008 (5 CONTACTS) (3,4,5,6,7)	1310527-008	1310212-003	7610071-001



SCHEMATIC

C

B

A

DRAFTER M.C. 04-07-10		COHU INC. ELECTRONICS DIVISION SAN DIEGO CALIFORNIA			
CHECKER KL					
APPD		CABLE ASSEMBLY CA272			
APPD					
RELEASE ECO 030608					
DO NOT SCALE DRAWING		SIZE D	CODE IDENT NO. 05157	7411272	H
REF 7411996		SCALE NONE	SHEET 8 OF 8	REV	

