

8

7

6

5

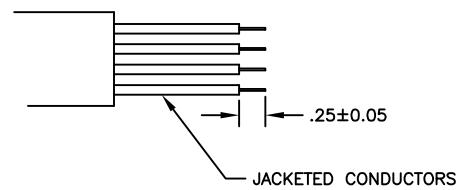
4

3

2

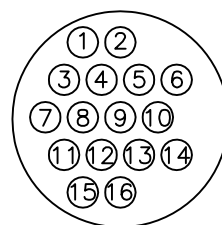
1

REVISIONS				
ZONE	LTR	DESCRIPTION	DATE	APPROVED
	A	INITIAL RELEASE. ECO 031387	9-28-12 M.C.	MN
AB	B	IN NOTE 4, AFTER TIN WIRE...REMOVED "AS REQUIRED BY SCHEMATIC." ADDED NOTES 9 & 10. ECO 031431	12-10-12 M.C.	MN
AB	C	DELETED NOTE 2. ADDED "ROHS" TO NOTE 7. ADDED NOTE 11. ECO 031751	3-11-14 M.C.	MN



DETAIL "A"

WIRE TERMINATION



1310307-009
VIEWED FROM
WIRING END

11. MUST BE ROHS COMPLIANT, USE ONLY PB-FREE SOLDER.

10. SOLER 12" BLACK #18 WIRE TO SHIELD BRAID. STRIP/TIN 0.5" FREE END OF WIRE.

9. SOLDER 12" BLACK #18 WIRE TO SHIELD DRAIN WIRE. COVER END OF JACKET AND SOLDER JOINT WITH 2" HEAT SHRINK. STRIP/TIN 0.5" FREE END OF WIRE.

8. UNUSED WIRE TO BE CUT FLUSH W/OUTER JACKET AND COVERED BY HEAT SHRINK.

7. IDENTIFY WITH THE 'CAxxxY' CABLE NUMBER AS INDICATED IN THIS DRAWING, THE REVISION OF THIS DRAWING, "ROHS", AND THE SPECIFIED CABLE LENGTH APPROX. WHERE SHOWN.

6. IDENTIFY WITH NOMENCLATURE INDICATED APPROX. WHERE SHOWN.

5. INSTALL CONNECTORS PER MFR. INSTRUCTIONS.

4. STRIP OUTER JACKET BACK 6" ±.5". STRIP INDIVIDUAL CONDUCTORS .25±.05" AND TIN WIRE. UNUSED WIRE TO BE CUT FLUSH WITH OUTER JACKET AND COVERED BY HEAT SHRINK IF REQUIRED. SEE DETAIL A.

3. FOR CABLE LENGTHS GREATER THAN 10 FEET: STRIP OUTER JACKET OF CABLE BUNDLE BACK 6 FEET. FOR CABLE LENGTHS LESS THAN 10 FEET: STRIP OUTER JACKET OF CABLE BACK 1/2 OF SPECIFIED LENGTH. FOR ALL CABLES: TERMINATE WIRES AS INDICATED BY SCHEMATIC. COVER END OF OUTER JACKET WITH 4" HEAT SHRINK.

2. DELETED.

1. CA273A MAX. CABLE LENGTH: 328 FEET, CA273B MAX CABLE LENGTH: 80 FEET
MINIMUM CABLE LENGTH IS 3 FEET.

NOTES: UNLESS OTHERWISE SPECIFIED

UNLESS OTHERWISE SPECIFIED, DIMENSIONS ARE IN INCHES. DIMENSIONS IN () ARE METRIC (mm).		DRAFTER M.C. 08-14-12	ELECTRONICS DIVISION	
TOLERANCES ARE:		CHECKER MN	SAN DIEGO CALIFORNIA	
INCHES ±.03 (0.0) ±1.0 ±0° 30'		APPD	CABLE ASSEMBLY CA273	
MILLIMETERS ±.000 ±.010 (0.00) ±0.25		APPD		
ANGLE TOLERANCES		RELEASE ECO 031334		
DO NOT SCALE DRAWING				
INCHES TOLERANCES		SIZE CODE IDENT NO.		
.013 THRU +.004 (-.50) THRU +.10		D 05157 7411273 C		
.125 -.001 (3.20) -.02		SCALE NONE SHEET 1 OF 3 REV		
.126 THRU +.008 (3.21) THRU +.13				
.250 -.001 (6.35) -.02				
.251 THRU +.006 (6.36) THRU +.16				
.500 -.001 (12.70) -.02				
.501 THRU +.008 (12.71) THRU +.20				
.750 -.001 (20.0) -.02				
REF	7411996	MATERIAL		
DASH	REQD	NEXT ASSEMBLY	FINISH	

8 7 6 5 4 3 2 1

D

D

C

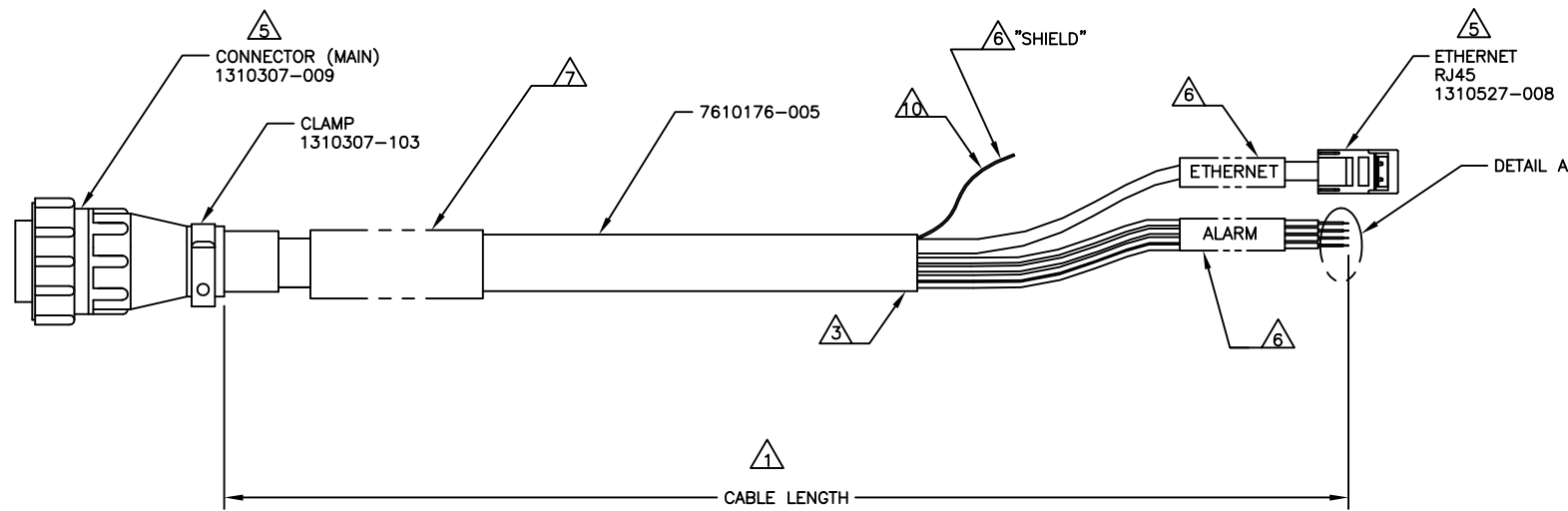
C

B

B

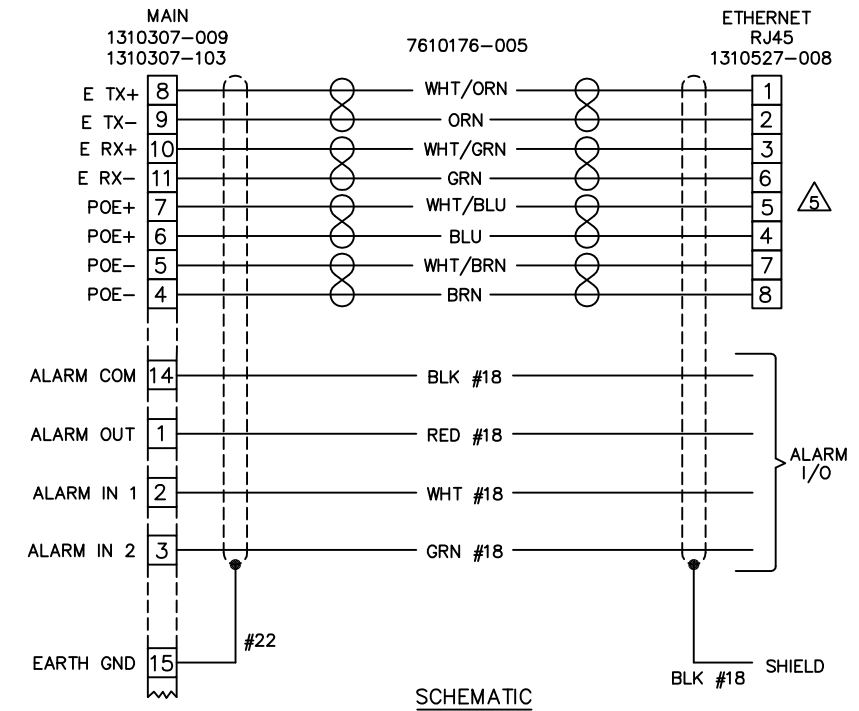
A

A



CA273A

CA 273	CONNECTOR (MAIN)	ACCESSORY	ACCESSORY	CONNECTOR RJ45
A	1310307-009	1310307-103 (CLAMP)	1310308-002 (9 CONTACTS) (4,5,6,7,8,9,10,11,15) 1310308-004 (4 CONTACTS) (1,2,3,14)	1310527-008



SCHEMATIC

DRAFTER M.C. 08-14-12			ELECTRONICS DIVISION				
CHECKER MN			SAN DIEGO CALIFORNIA				
APPD			CABLE ASSEMBLY CA273				
APPD							
RELEASE ECO 031334		DO NOT SCALE DRAWING					
REF	7411996	SIZE	CODE IDENT NO.	D 05157	7411273	C	
DASH	REQD	NEXT ASSEMBLY	SCALE	NONE	SHEET	2 OF 3	REV



8 7 6 5 4 3 2 1

D

D

C

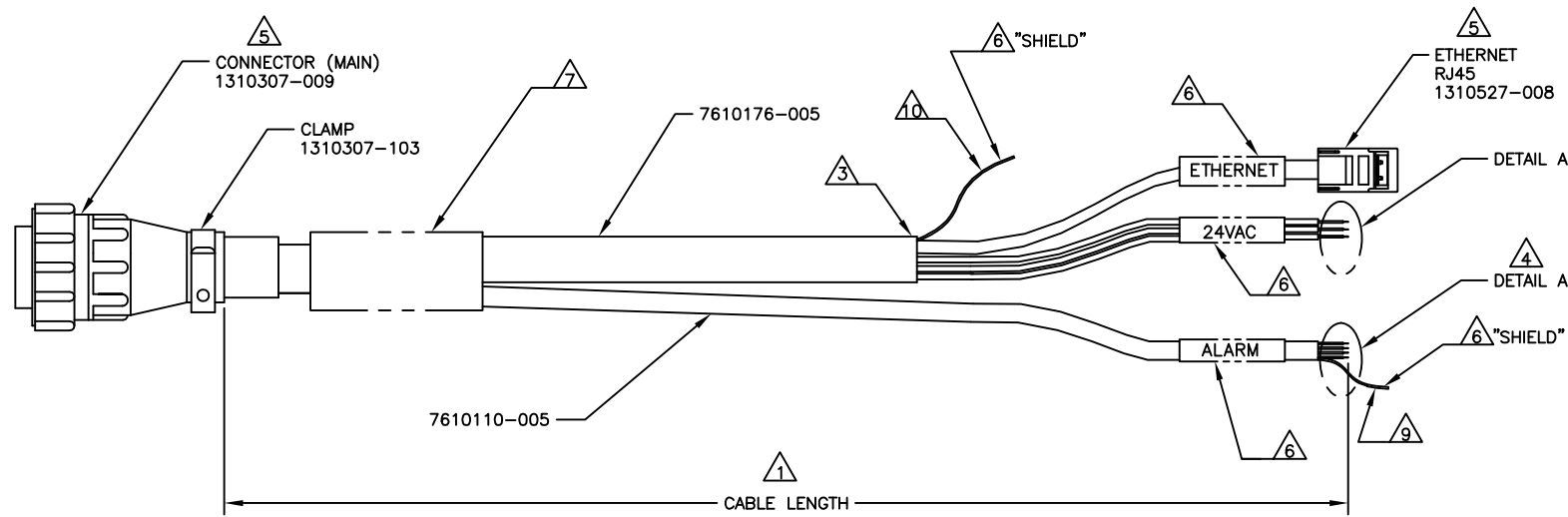
C

B

B

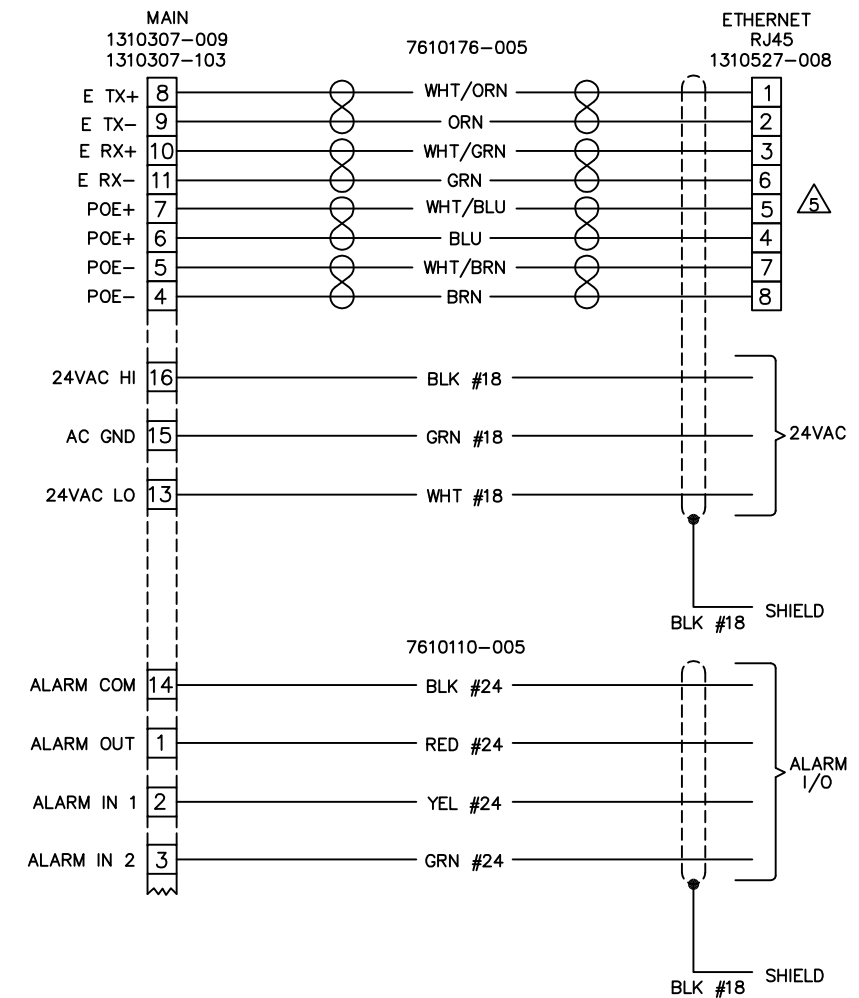
A

A



CA273B

CA 273	CONNECTOR (MAIN)	ACCESSORY	ACCESSORY	CONNECTOR RJ45
B	1310307-009	1310307-103 (CLAMP)	1310308-002 (12 CONTACTS) (4,5,6,7,8, 9,10,11,14, 1,2,3) 1310308-004 (3 CONTACTS) (13,15,16)	1310527-008



SCHEMATIC

		DRAFTER M.C. 08-14-12		ELECTRONICS DIVISION		
		CHECKER MN		SAN DIEGO CALIFORNIA		
		APPD		CABLE ASSEMBLY CA273		
		APPD				
		RELEASE ECO 031334	DO NOT SCALE DRAWING			
			SIZE	CODE IDENT NO.		
REF	7411996		D	05157	7411273	
DASH	REQD	NEXT ASSEMBLY	SCALE NONE	SHEET 3 OF 3	REV	

