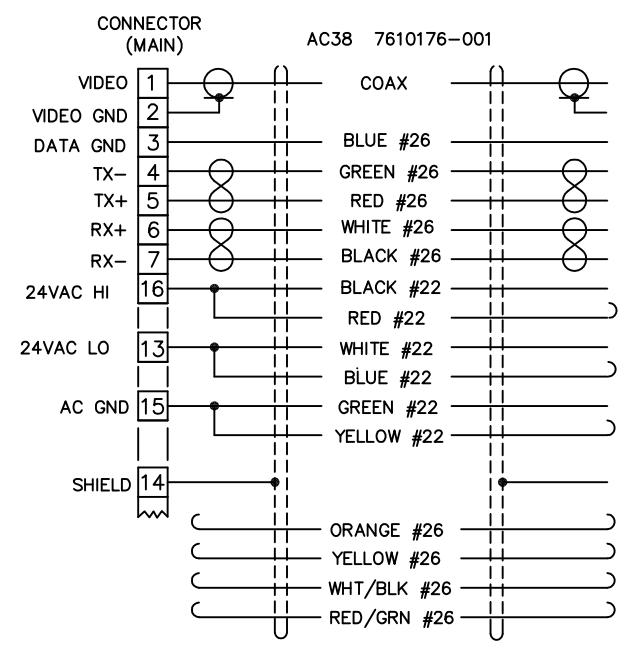
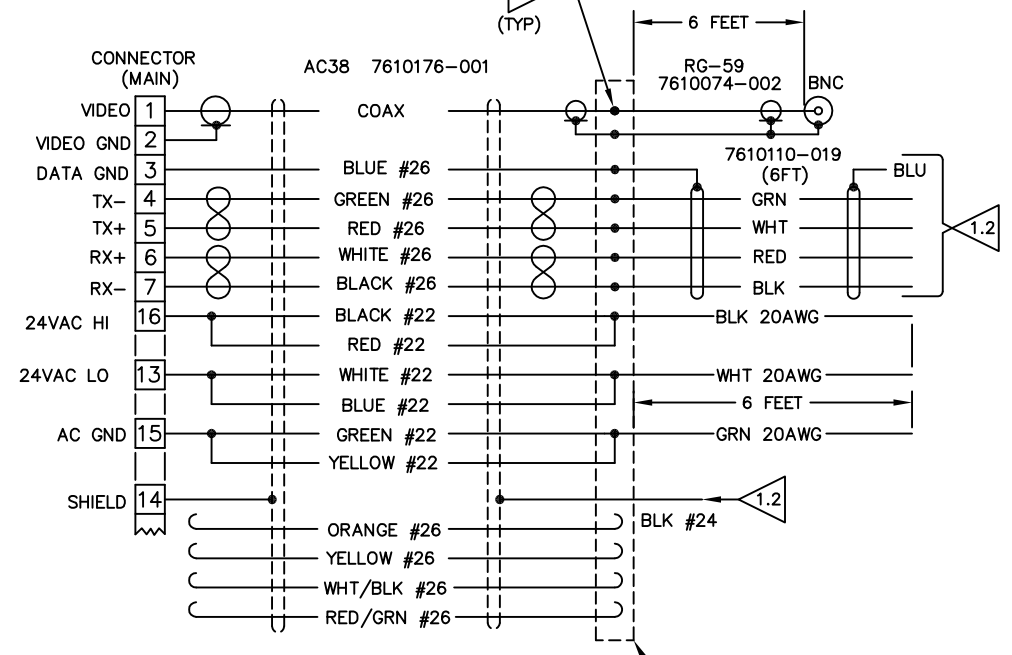


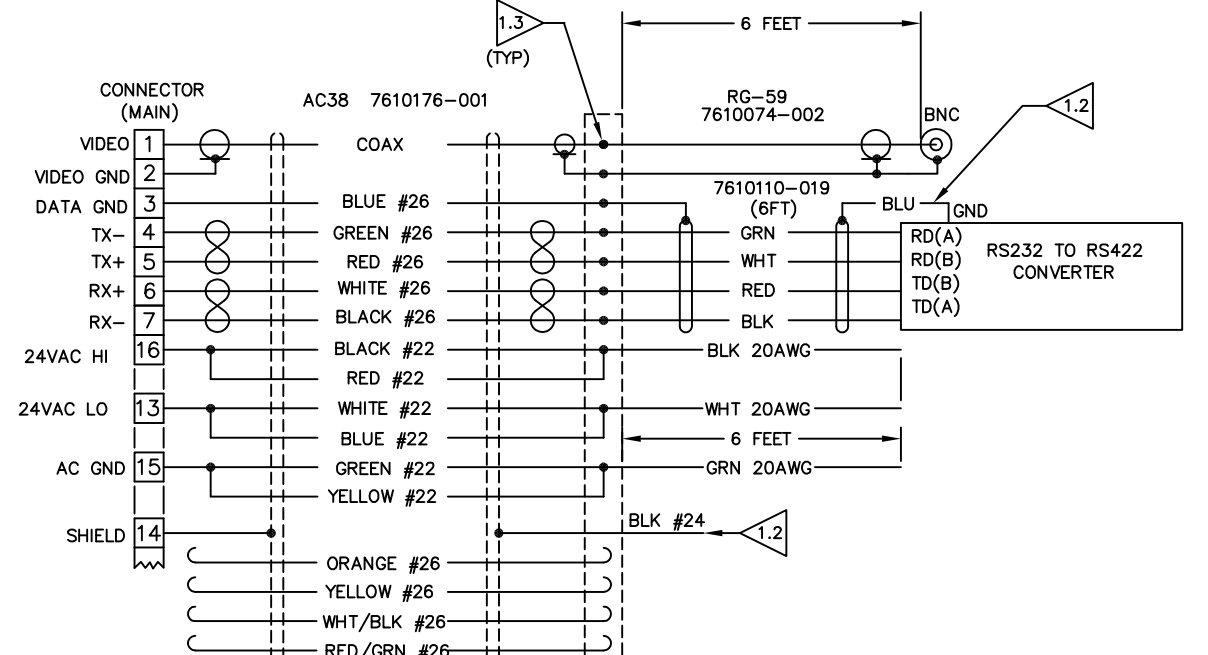
REVISIONS				
ZONE	LTR	DESCRIPTION	DATE	APPROVED
	B	ADDED CA291J & SHEET4. ECN K081	05-24-08 M.C.	
	C	CHANGE BORDER FORMAT. IN TABLE AT MAIN CONNECTOR ACCESSORY ADDED CONTACT PIN NUMBERS TO ALL CABLE ASSEMBLIES. ECO 030833	4-18-11 M.C.	DD



CA291A



CA291B



CA291C

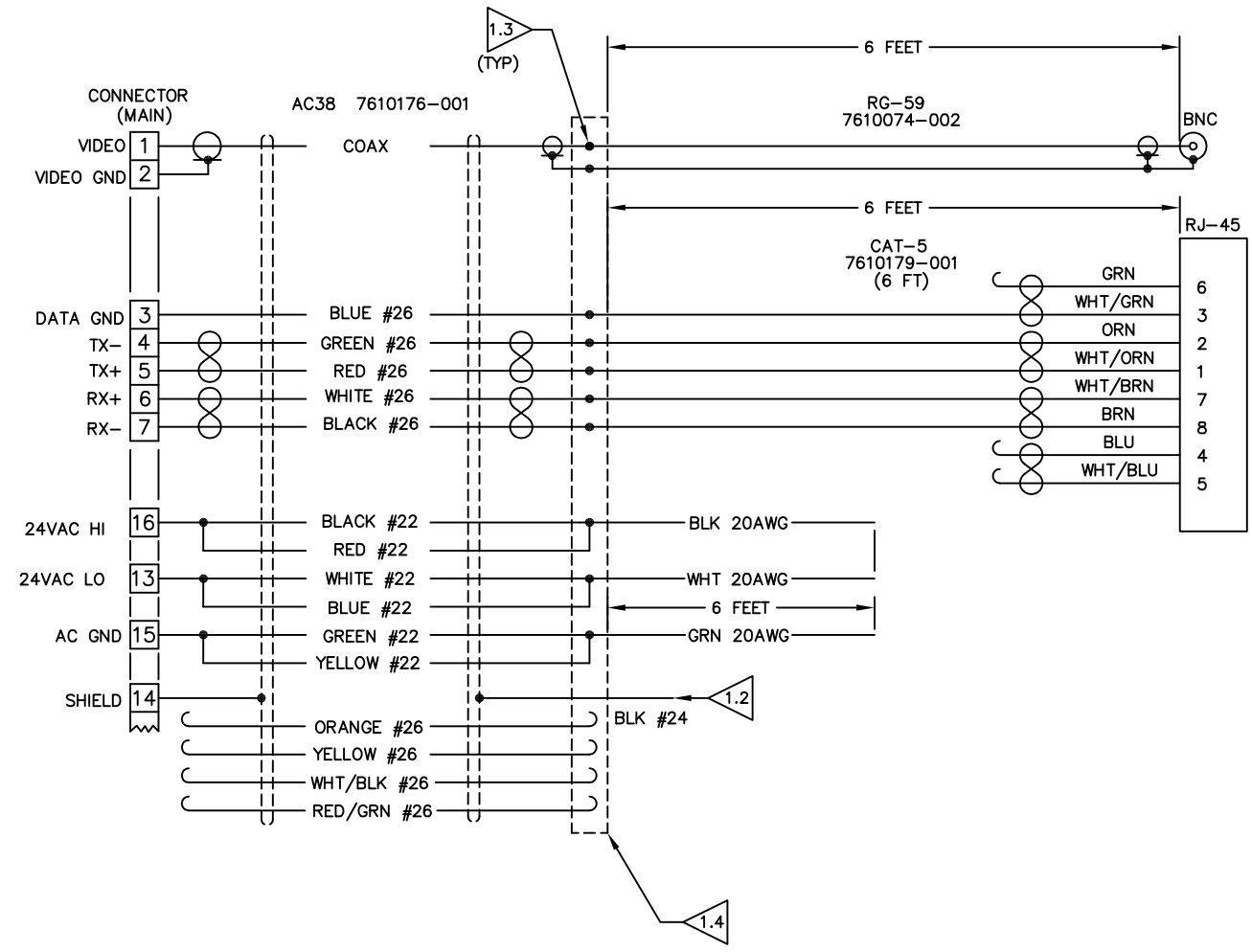
CA	CONNECTOR (MAIN)	ACCESSORY	ACCESSORY	CONNECTOR (BNC)	ACCESSORY	RS232 TO RS422 CONVERTER
A	1310307-009	1310307-103 (CLAMP)	1310308-002 (6 CONTACTS) (1,2,13,14,15,16) 1310308-008 (5 CONTACTS) (3,4,5,6,7)	-	-	-
B	1310307-009	1310307-103 (CLAMP)	1310308-002 (6 CONTACTS) (1,2,13,14,15,16) 1310308-008 (5 CONTACTS) (3,4,5,6,7)	1310212-003	-	-
C	1310307-009	1310307-103 (CLAMP)	1310308-002 (6 CONTACTS) (1,2,13,14,15,16) 1310308-008 (5 CONTACTS) (3,4,5,6,7)	1310212-003	-	3010100-001

- 1.4 INSTALL OVERALL SHRINK TUBING.
 - 1.3 INSTALL SHRINK TUBING OVER EACH SPLICED JOINT.
 - 1.2 STRIP & TIN WIRE ENDS. WIRES TO BE 6 INCH LONG PIGTAIL.
 - 1.1 MAX CABLE LENGTH : 80 FEET.
- NOTES: UNLESS OTHERWISE SPECIFIED

UNLESS OTHERWISE SPECIFIED, DIMENSIONS ARE IN INCHES. DIMENSIONS IN () ARE METRIC (mm). TOLERANCES ARE:		DRAFTER M.C. 09-09-05		ELECTRONICS DIVISION	
INCHES: .00 ±.03 (0.0) ±1.0 ±0° 30'		CHECKER N.T.		SAN DIEGO CALIFORNIA	
MILLIMETERS: .000 ±.000 (0.00) ±0.25		APPD	<p style="text-align: center;">CABLE ASSEMBLY, 3964 CONTROL CA291</p>		
ANGLES: ±0° 30'		APPD N.T.			
HOLE TOLERANCES:		RELEASE ECN J753	<p style="text-align: center;">DO NOT SCALE DRAWING</p>		
INCHES: .013 THRU +.004 (-0.50) THRU +.10					
MILLIMETERS: .250 -0.001 (6.35) -0.02					
.126 THRU +.008 (3.21) THRU +.13					
.251 THRU +.006 (6.35) THRU +.16					
.501 THRU +.008 (12.71) THRU +.20					
MATERIAL FINISH					
REF	7411996		SIZE	CODE IDENT NO.	7411291
DASH REQD	NEXT ASSEMBLY		D		C
			SCALE	NONE	SHEET 1 OF 4


8 7 6 5 4 3 2 1

D
C
B
A

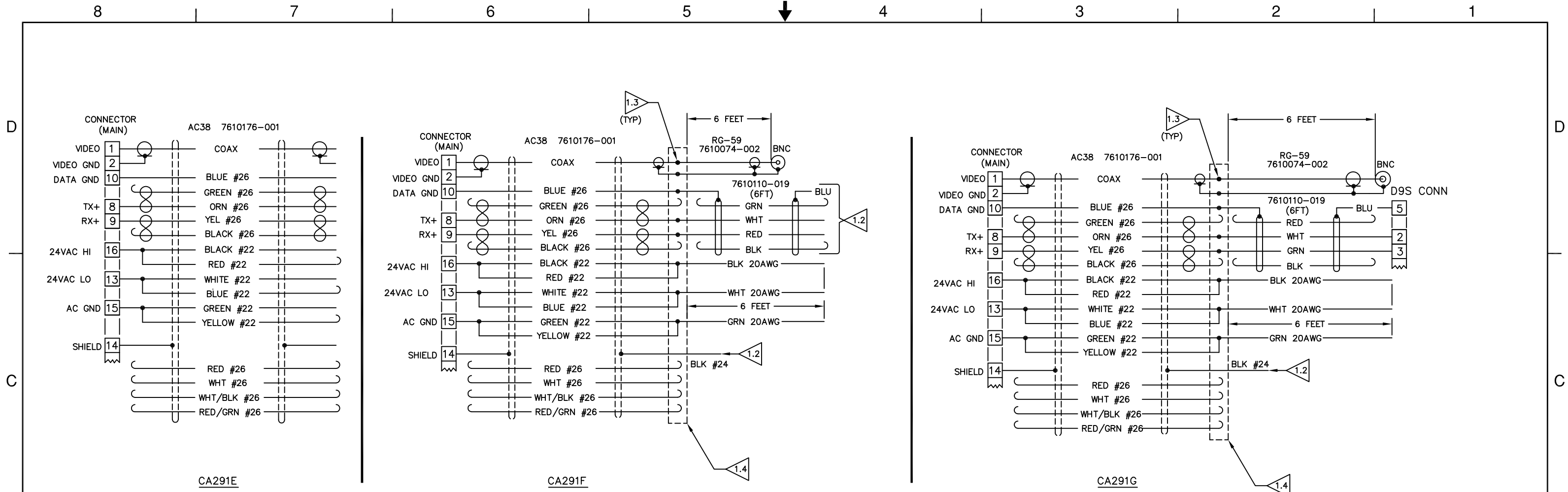


CA291M

CA	CONNECTOR (MAIN)	ACCESSORY	ACCESSORY	CONNECTOR (BNC)	CONNECTOR RJ-45
M	1310307-009	1310307-103 (CLAMP)	1310308-002 (6 CONTACTS) (1,2,13,14,15,16) 1310308-008 (5 CONTACTS) (3,4,5,6,7)	1310212-003	1310527-008

	DRAFTER	M.C. 09-09-05	 ELECTRONICS DIVISION SAN DIEGO CALIFORNIA			
	CHECKER	N.T.				
	APPD	N.T.				
	RELEASE	ECN J753				
	DO NOT SCALE DRAWING			CABLE ASSEMBLY, 3964 CONTROL CA291		
REF	7411996	SIZE	D 05157		7411291	C
DASH	REQD	NEXT ASSEMBLY	SCALE		NONE	SHEET 2 OF 4





CA	CONNECTOR (MAIN)	ACCESSORY	ACCESSORY	CONNECTOR (BNC)	ACCESSORY	CONNECTOR (D9S) (RS-232)	ACCESSORY
E	1310307-009	1310307-103 (CLAMP)	1310308-002 (6 CONTACTS) (1,2,13,14,15,16) 1310308-008 (3 CONTACTS) (8,9,10)	-	-	-	-
F	1310307-009	1310307-103 (CLAMP)	1310308-002 (6 CONTACTS) (1,2,13,14,15,16) 1310308-008 (3 CONTACTS) (8,9,10)	1310212-003	-	-	-
G	1310307-009	1310307-103 (CLAMP)	1310308-002 (6 CONTACTS) (1,2,13,14,15,16) 1310308-008 (3 CONTACTS) (8,9,10)	1310212-003	-	1310136-004	1310341-009 (HOOD)

DRAFTER M.C. 10-24-05			ELECTRONICS DIVISION			
CHECKER N.T.			SAN DIEGO CALIFORNIA			
APPD			CABLE ASSEMBLY, 3964 CONTROL CA291			
APPD						
RELEASE ECN J967		DO NOT SCALE DRAWING				
REF	7411996	SIZE	CODE IDENT NO.	D 05157	7411291	C
DASH	REQD	SCALE	NEXT ASSEMBLY	NONE	SHEET	3 OF 4

8 7 6 5 4 3 2 1

D

D

C

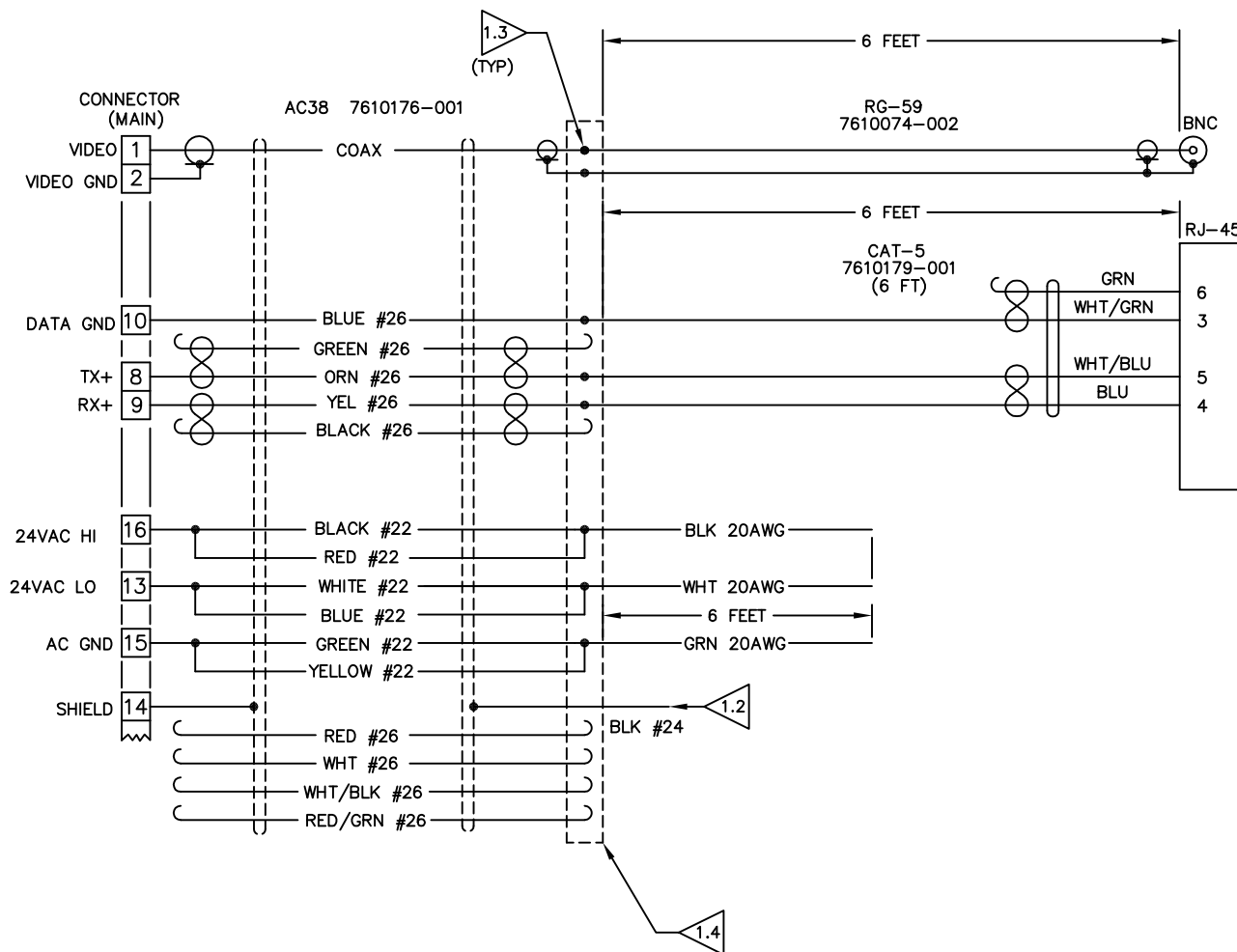
C

B

B


A

A



CA291J

CA	CONNECTOR (MAIN)	ACCESSORY	ACCESSORY	CONNECTOR (BNC)	CONNECTOR RJ-45
J	1310307-009	1310307-103 (CLAMP)	1310308-002 (6 CONTACTS) (1,2,13,14,15,16) 1310308-008 (3 CONTACTS) (8,9,10)	1310212-003	1310527-008

	DRAFTER	M.C. 09-09-05	 ELECTRONICS DIVISION SAN DIEGO CALIFORNIA			
	CHECKER	N.T.				
	APPD	N.T.				
	RELEASE	ECN J753				
	DO NOT SCALE DRAWING		CABLE ASSEMBLY, 3964 CONTROL CA291			
REF	7411996	SIZE		CODE IDENT NO.		
DASH	REQD	NEXT ASSEMBLY	D	05157	7411291	C
			SCALE	NONE	SHEET	4 OF 4
						REV

