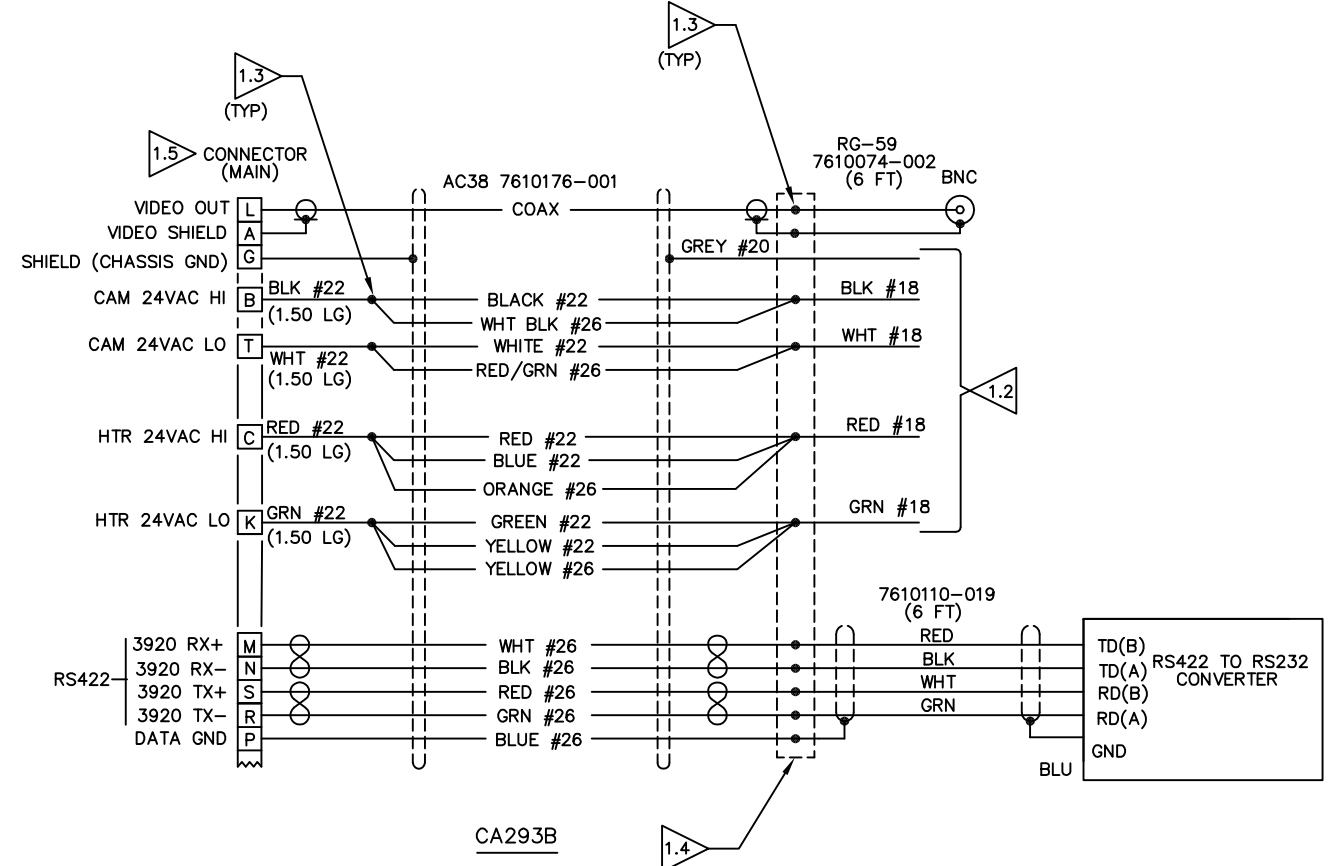
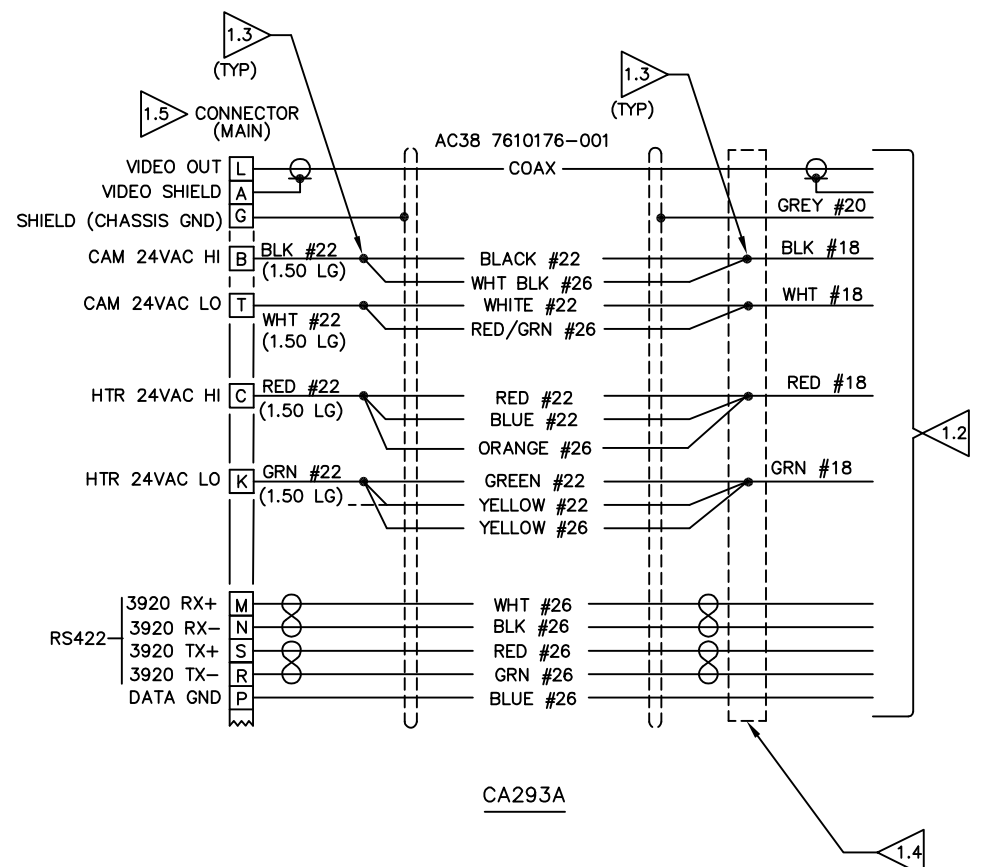


REVISIONS				
ZONE	LTR	DESCRIPTION	DATE	APPROVED
	C	REDRAWN - ADDED CA293M & SHEET2. ECN K081	05-24-08 M.C.	
	D	CA293A-G WIRE TO SHIELD WAS MISSING CONNECTING DOT. CA293A-T WHT #18 WAS WHT 318. AT PIN P ADDED CONNECTOR BREAK TO ALL CABLE ASSEMBLIES. ECO 030833	4-18-11 M.C.	DD



CA 293	CONNECTOR (MAIN)	ACCESSORY	CONNECTOR (BNC)	ACCESSORY	RS422 TO RS232 CONVERTER
A	1310230-011	-	-	-	-
B	1310230-011	-	1310212-003	-	3010100-001

- 1.5 POT MAIN CONNECTOR PER MM-81.
 - 1.4 INSTALL OVERALL SHRINK TUBING.
 - 1.3 INSTALL SHRINK TUBING OVER EACH SPLICED JOINT.
 - 1.2 STRIP & TIN WIRE ENDS. WIRES TO BE 6-INCH LONG PIGTAIL.
 - 1.1 MAX CABLE LENGTH : 80 FT.
- NOTES: UNLESS OTHERWISE SPECIFIED

UNLESS OTHERWISE SPECIFIED, DIMENSIONS ARE IN INCHES. DIMENSIONS IN () ARE METRIC (mm). TOLERANCES ARE:		DRAFTER M.C. 01-30-03	COHU INC ELECTRONICS DIVISION SAN DIEGO, CALIFORNIA
INCHES: .00 ±.03 (0.0) ±1.0 ±0° 30'		CHECKER N.T.	
MILLIMETERS: .000 ±.010 (0.00) ±0.25		APPD	CABLE ASSEMBLY, 24VAC 3924 DOME CONTROL RS422 CA293
ANGLES: .013 THRU +.004 (0.30) THRU +.10 (3.20) -.02		APPD	
MATERIAL FINISH		RELEASE ECN J010	DO NOT SCALE DRAWING
.125 -.001 (3.20) -.02			
.126 THRU +.008 (3.21) THRU +.13 (6.35) -.02			SIZE CODE IDENT NO. D 05157 7411293 D
.251 THRU +.006 (6.36) THRU +.16 (2.70) -.02			
.501 THRU +.008 (12.71) THRU +.20 (20.0) -.02			SCALE NONE
REF 7411996			SHEET 1 OF 2

8 7 6 5 4 3 2 1

D

D

C

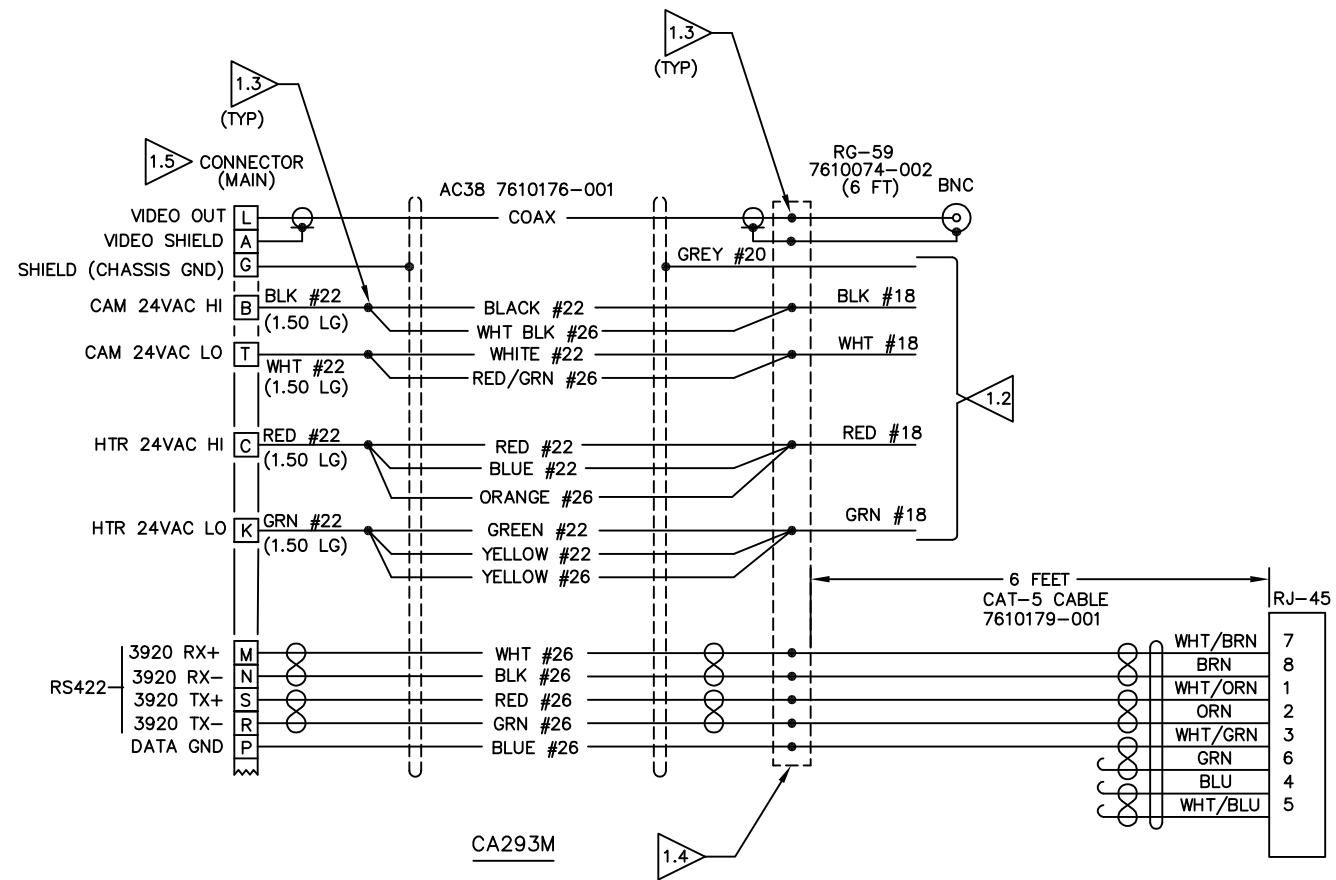
C

B

B

A

A



CA 293	CONNECTOR (MAIN)	ACCESSORY	CONNECTOR (BNC)	ACCESSORY	CONNECTOR RJ-45
M	1310230-011	-	1310212-003	-	1310527-008

		DRAFTER M.C. 01-30-03		ELECTRONICS DIVISION		
		CHECKER N.T.		SAN DIEGO CALIFORNIA		
		APPD		CABLE ASSEMBLY, 24VAC 3924 DOME CONTROL RS422 CA293		
		APPD				
		RELEASE ECN J010				
		DO NOT SCALE DRAWING				
			SIZE	CODE IDENT NO.		
REF	7411996		D	05157	7411293 D	
DASH	REQD	NEXT ASSEMBLY	SCALE	NONE	SHEET 2 OF 2	
					REV	

