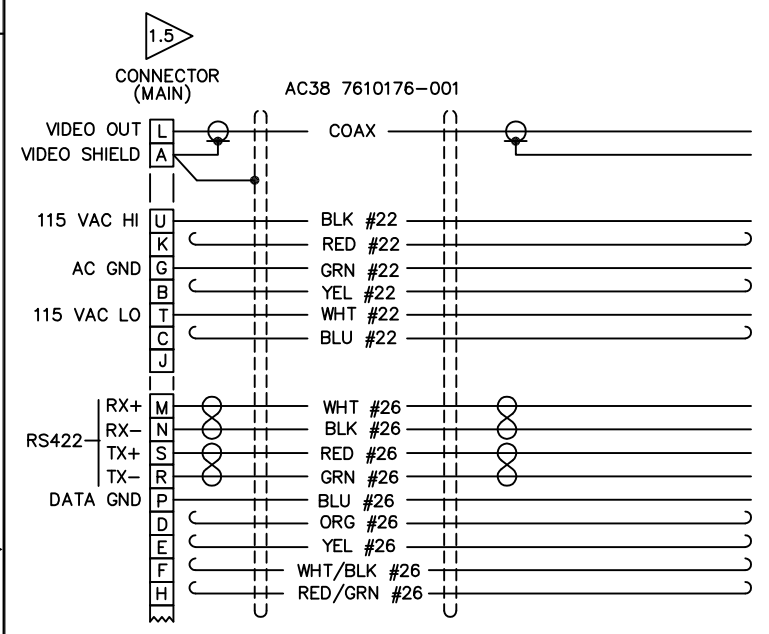
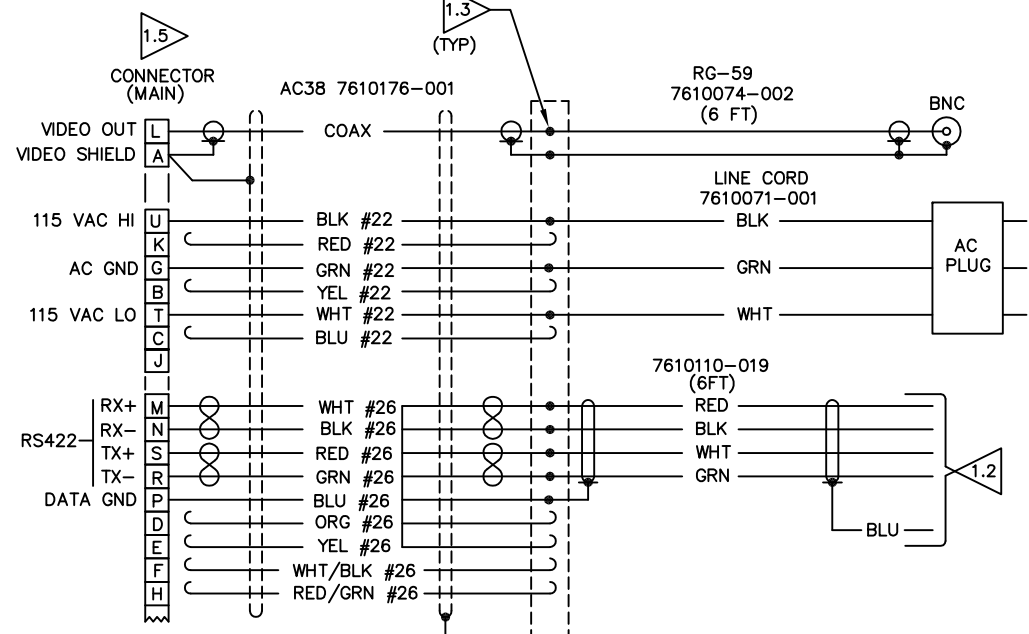


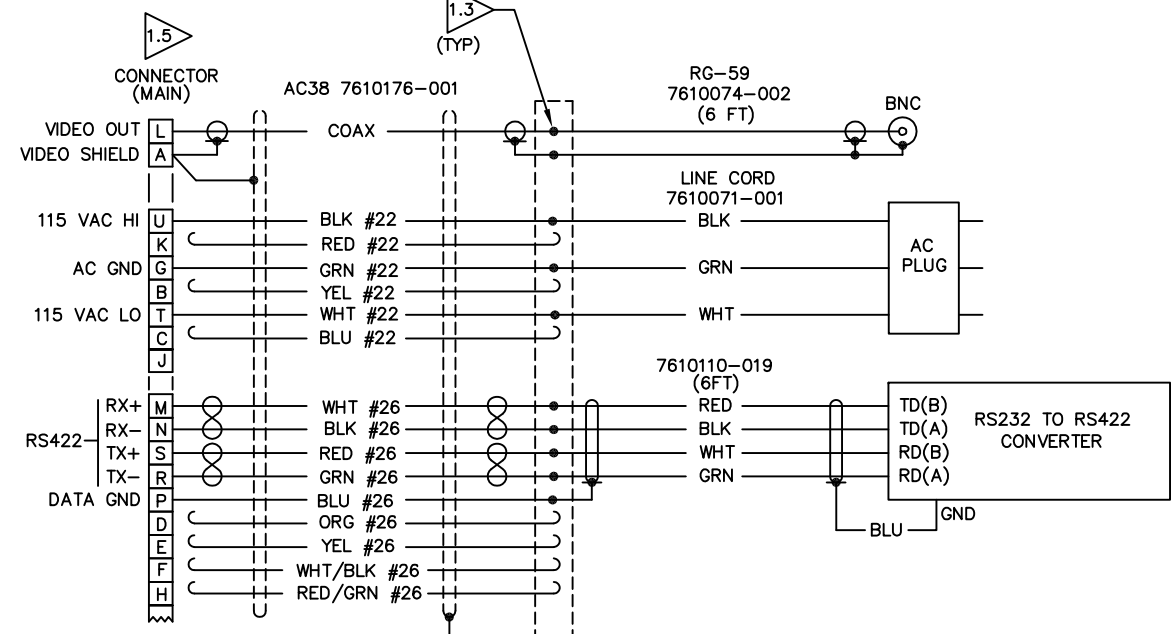
REVISIONS				
ZONE	LTR	DESCRIPTION	DATE	APPROVED
	N	REDRAWN-CHANGE BORDER FORMAT. RENUMBERED SHEETS TO CORRECTLY LIST SHEET NUMBER AND TOTAL NUMBER OF SHEET. ECO 030397	6-03-10 M.C.	T.R.
	P	IN TABLE AT AMP CONNECTOR ACCESSORY FOR CA295D & CA295H ADDED PIN NUMBERS. ECO 030833	4-18-11 M.C.	DD



CA295A
1.6



CA295B
1.6



CA295C
1.6

CA 295	CONNECTOR (MAIN)	ACCESSORY	CONNECTOR (BNC)	ACCESSORY	RS232 TO RS422 CONVERTER
A	1310230-011	-	-	-	-
B	1310230-011	-	1310212-003	-	-
C	1310230-011	-	1310212-003	-	3010100-001

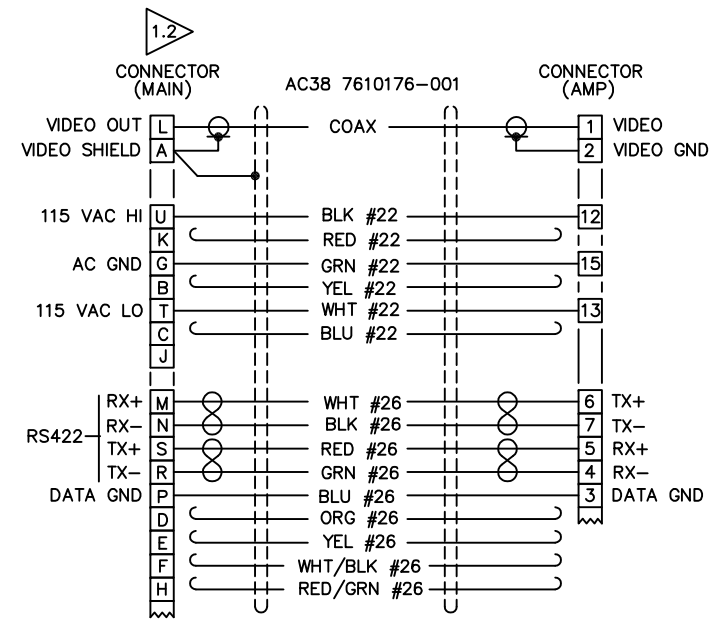
- 1.6 CABLE CAN BE USED ON 230V UNITS.
- 1.5 POT MAIN CONNECTOR PER MM-81.
- 1.4 INSTALL OVERALL SHRINK TUBING.
- 1.3 INSTALL SHRINK TUBING OVER EACH SPLICED JOINT.
- 1.2 STRIP & TIN WIRE ENDS. WIRES TO BE 6-INCH LONG PIGTAIL.
- 1.1 MAX CABLE LENGTH : 750 FT.

UNLESS OTHERWISE SPECIFIED, DIMENSIONS ARE IN INCHES. DIMENSIONS IN () ARE METRIC (mm). TOLERANCES ARE: INCHES: .00 ±.03 (0.0) ±1.0 ±0° 30' .000 ±.010 (0.00) ±0.25 ANGLES: TABLE TOLERANCES: INCHES: .013 THRU +.004 (-) THRU +.10 (-) .125 -.001 (3.20) -.02 .126 THRU +.008 (8.21) THRU +.13 (-) .250 -.001 (6.35) -.02 .251 THRU +.006 (6.35) THRU +.15 (-) .500 -.001 (12.70) -.02 .501 THRU +.008 (12.71) THRU +.20 (-) .750 -.001 (20.0) -.02		DRAFTER M.C. 08-05-02		ELECTRONICS DIVISION
REF 7411996	CHECKER N.T.	APPD N.T.		SAN DIEGO CALIFORNIA
DASH REQD NEXT ASSEMBLY FINISH	DO NOT SCALE DRAWING	RELEASE ECN H903	CABLE ASSEMBLY, 3925 DOME CONTROL RS422 CA295	
			SIZE D	CODE IDENT NO. 05157
				7411295
				P
			SCALE NONE	SHEET 1 OF 6
				REV

8 7 6 5 4 3 2 1

D

D



CA295D

115V ONLY
9300 INTERFACE

CA 295	CONNECTOR (MAIN)	ACCESSORY	CONNECTOR (AMP)	ACCESSORY	ACCESSORY
D	1310230-011	-	1310306-010	1310307-103 (CLAMP)	1310308-001 (5 CONTACTS) (1,2,12,13,15) 1310308-007 (5 CONTACTS) (3,4,5,6,7)

C

C

B

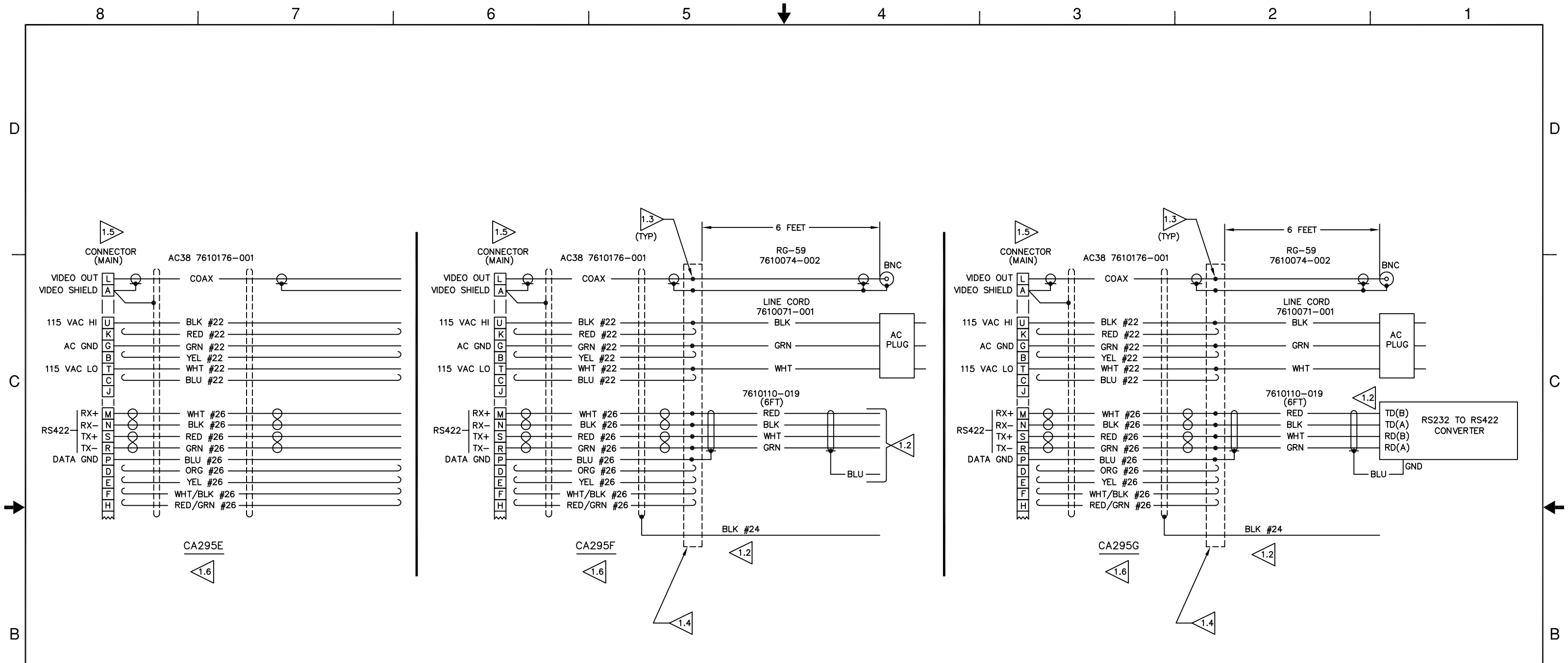
B

A

A

		DRAFTER M.C. 01-30-03		ELECTRONICS DIVISION		
		CHECKER N.T.		SAN DIEGO CALIFORNIA		
		APPD		CABLE ASSEMBLY, 3925 DOME CONTROL RS422 CA295		
		APPD N.T.				
		RELEASE ECN J010	DO NOT SCALE DRAWING			
			SIZE	CODE IDENT NO.		
			D	05157	7411295 P	
REF		7411996	SCALE NONE		SHEET 2 OF 6	
DASH	REQD	NEXT ASSEMBLY			REV	



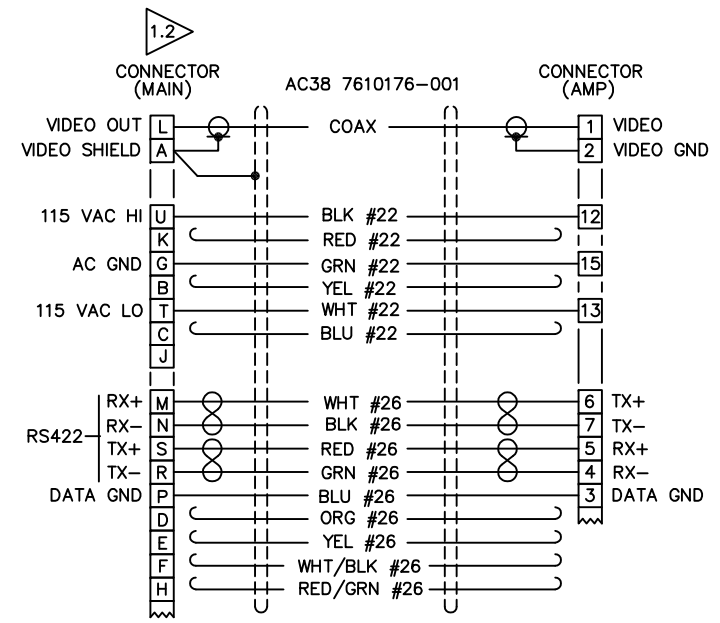


CA 295	CONNECTOR (MAIN)	ACCESSORY	CONNECTOR (BNC)	ACCESSORY	RS232 TO RS422 CONVERTER
E	1310230-011	-	-	-	-
F	1310230-011	-	1310212-003	-	-
G	1310230-011	-	1310212-003	-	3010100-001

		DRAFTER M.C. 08-06-03	ELECTRONICS DIVISION SAN DIEGO CALIFORNIA
		CHECKER N.T.	
		APPD N.T.	
		RELEASE ECN H182	
		DO NOT SCALE DRAWING	CABLE ASSEMBLY, 3925 DOME CONTROL RS422 CA295
REF	7411996		
DASH	REQD	NEXT ASSEMBLY	SIZE CODE IDENT NO. D 05157 7411295 P
			SCALE NONE SHEET 3 OF 6 REV

D

D



CA295H

115V ONLY
9300 INTERFACE

CA 295	CONNECTOR (MAIN)	ACCESSORY	CONNECTOR (AMP)	ACCESSORY	ACCESSORY
H	1310230-011	-	1310306-010	1310307-103 (CLAMP)	1310308-001 (5 CONTACTS) (1,2,12,13,15) 1310308-007 (5 CONTACTS) (3,4,5,6,7)

C

C

B

B

A

A

	DRAFTER	M.C. 08-06-03		ELECTRONICS DIVISION		
	CHECKER	N.T.		SAN DIEGO CALIFORNIA		
	APPD			CABLE ASSEMBLY, 3925 DOME CONTROL RS422 CA295		
	APPD	N.T.				
	RELEASE	ECN J182				
	DO NOT SCALE DRAWING					
			SIZE	CODE IDENT NO.		
REF	7411996		D	05157	7411295 P	
DASH	REQD	NEXT ASSEMBLY	SCALE	NONE	SHEET 4 OF 6 REV	



8 7 6 5 4 3 2 1

D

D

C

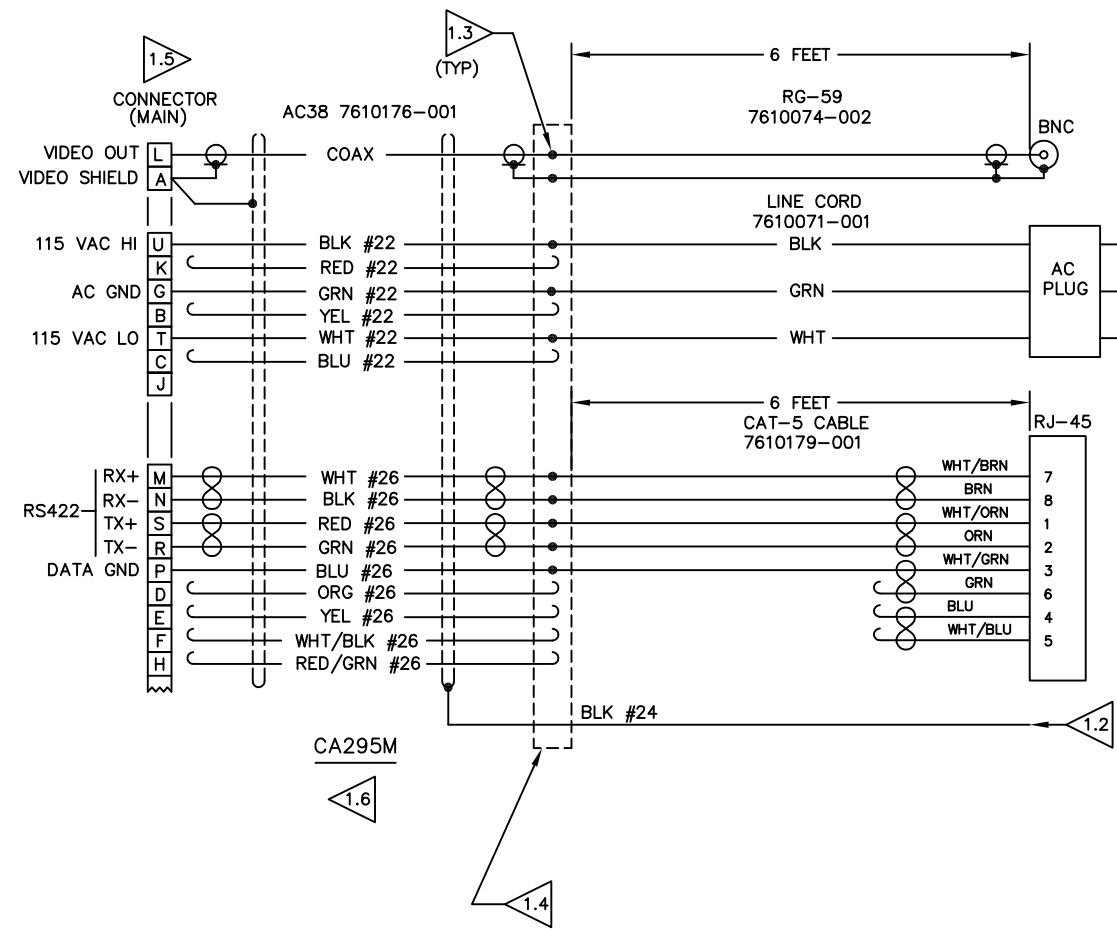
C

B


B

A

A



CA 295	CONNECTOR (MAIN)	ACCESSORY	CONNECTOR (BNC)	CONNECTOR RJ-45
M	1310230-011	-	1310212-003	1310527-008

		DRAFTER M.C. 02-23-05	 ELECTRONICS DIVISION SAN DIEGO CALIFORNIA	
		CHECKER N.T.		
		APPD		
		APPD N.T.		
		RELEASE ECN J736	CABLE ASSEMBLY, 3925 DOME CONTROL RS422 CA295	
		DO NOT SCALE DRAWING		
			SIZE CODE IDENT NO.	D 05157 7411295 P
REF	7411996			
DASH	REQD	NEXT ASSEMBLY	SCALE NONE	SHEET 5 OF 6



8

7

6

5

4

3

2

1

D

D

C

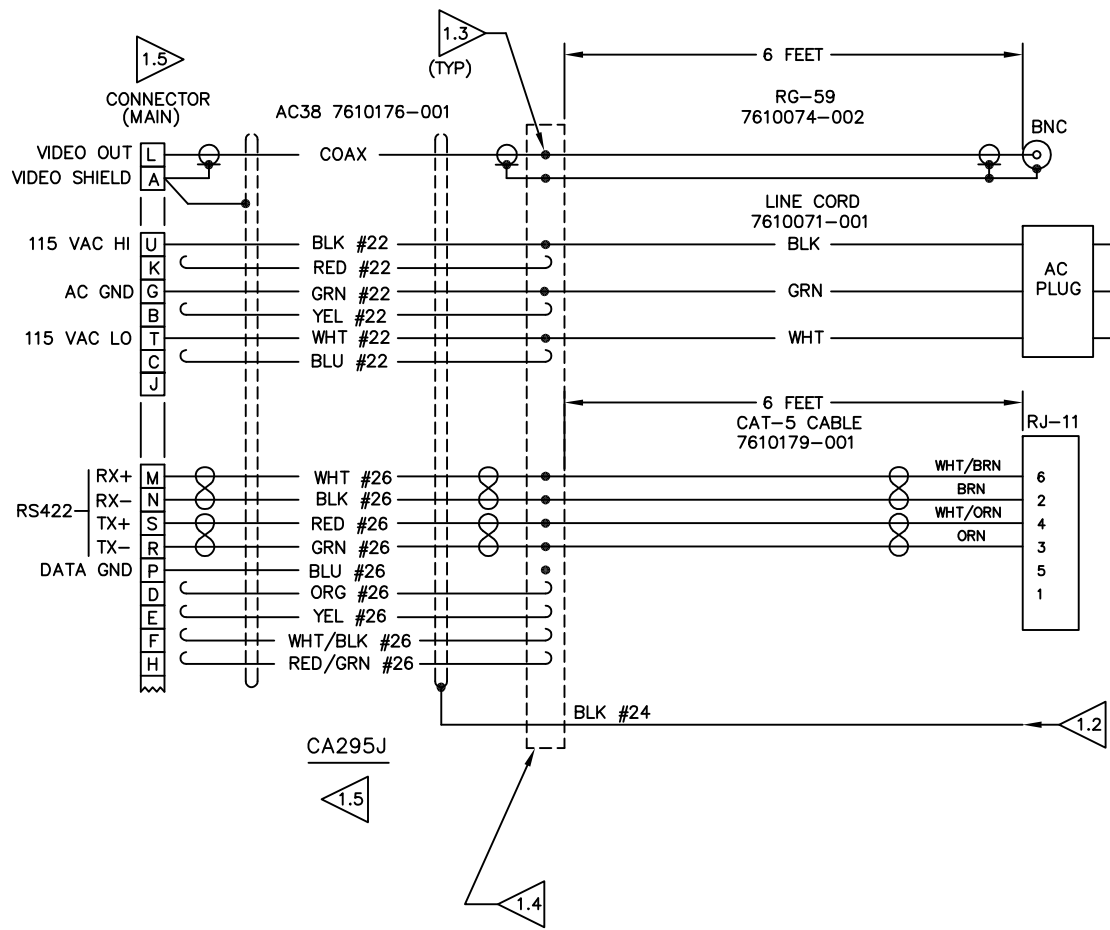
C

B


B

A

A



CA 295	CONNECTOR (MAIN)	ACCESSORY	CONNECTOR (BNC)	CONNECTOR RJ-11
J	1310230-011	-	1310212-003	1310527-006

		DRAFTER M.C. 02-23-05	 ELECTRONICS DIVISION SAN DIEGO CALIFORNIA				
		CHECKER N.T.					
		APPD					
		APPD N.T.					
		RELEASE ECN J736	CABLE ASSEMBLY, 3925 DOME CONTROL RS422 CA295				
		DO NOT SCALE DRAWING					
			SIZE	CODE IDENT NO.	D 05157	7411295	P
REF		7411996					
DASH	REQD	NEXT ASSEMBLY	SCALE NONE	SHEET 6 OF 6	REV		