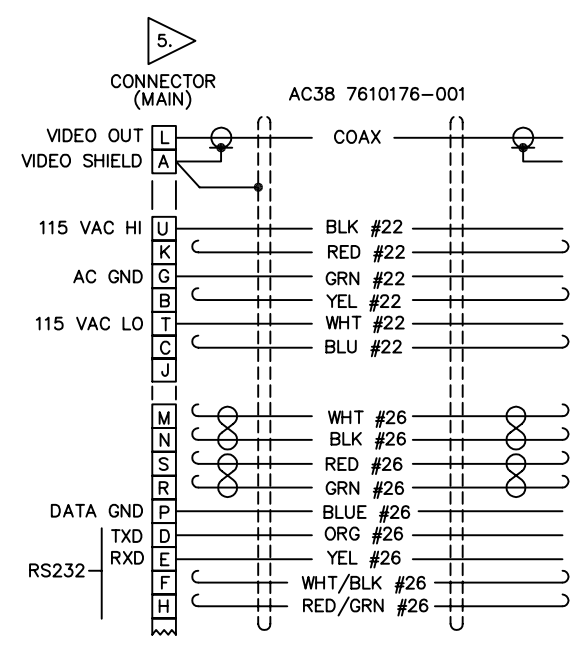
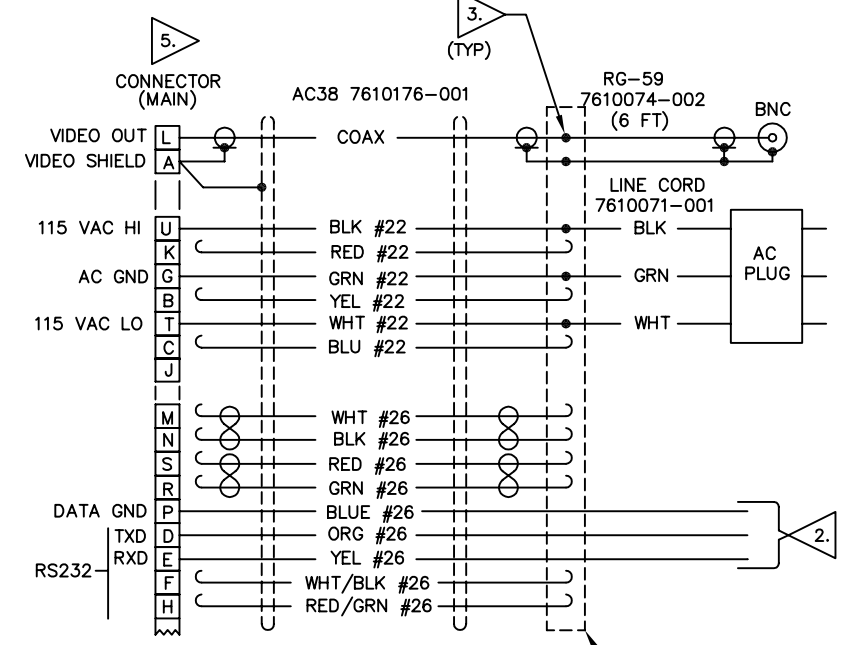


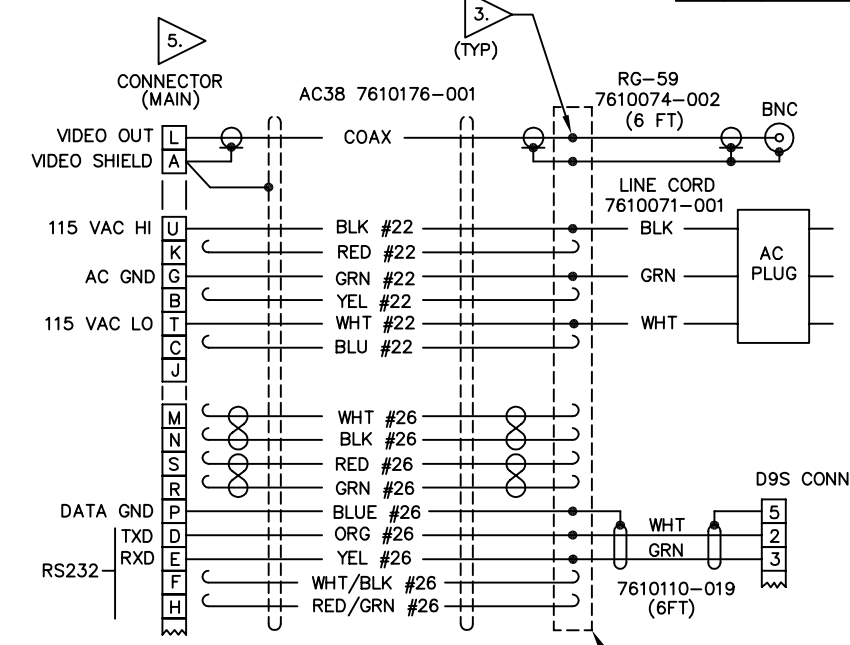
REVISIONS					
ZONE	LTR	DESCRIPTION	DATE	APPROVED	
	A	REVISED & REDRAWN.	9-05-02 M.C.	N.T.	
C8,C6	B	AT CA296A & B, DELETED RS-422 CONNECTIONS FROM MAIN CONNECTOR.	9-11-02 M.C.	N.T.	
A8 C8,6,4	C	ADDED NOTE 5. AT MAIN CONNECTOR DELETED CONNECTIONS RTS (PIN-F) & CTS (PIN-H).	10-25-02 M.C.	N.T.	
A8	D	ADDED NOTE 6.	1-29-03 M.C.	N.T.	
C2	E	AT D9S CONNECTOR OF CA296C, ADDED WIRE COLOR WHT & GRN.	7-22-04 J.K.	N.T.	
D7,5,3 D5,D2	F	AC38 7610176-001 WAS AC33 7610129-001, RG-59 7610074-002 WAS RG174/U 7610093-001.	3-23-05 M.C.	N.T.	
B5	G	IN TABLE CA296B & CA296C BNC CONNECTOR 1310212-003 WAS 1310212-004.	05-31-05 M.C.		



CA296A  
6.



CA296B  
6.



CA296C  
6.

CA 296	CONNECTOR (MAIN)	ACCESSORY	CONNECTOR (BNC)	ACCESSORY	CONNECTOR (D9S)	ACCESSORY
A	1310230-011	-	-	-	-	-
B	1310230-011	-	1310212-003	-	-	-
C	1310230-011	-	1310212-003	-	1310136-004	1310341-009 (HOOD)

6. CABLE CAN BE USED ON 230V UNITS.
5. POT MAIN CONNECTOR PER MM-81.
4. INSTALL OVERALL SHRINK TUBING.
3. INSTALL SHRINK TUBING OVER EACH SPLICED JOINT.
2. STRIP & TIN WIRE ENDS. WIRES TO BE 6-INCH LONG PIGTAIL.
1. MAX CABLE LENGTH : 100 FT.
- NOTES: UNLESS OTHERWISE SPECIFIED

UNLESS OTHERWISE SPECIFIED DIMENSIONS ARE IN INCHES DIMENSIONS IN ( ) ARE METRIC (mm)		DRAFTER M.C. 09-05-02	<b>COHU</b> ELECTRONICS DIVISION INC. SAN DIEGO CALIFORNIA
TOLERANCES ARE:		CHECKER N.T.	
INCHES	MILLIMETERS	APPD	CABLE ASSEMBLY, 3925 DOME CONTROL RS232 CA296
.00 ±.03	(0.0) ±1.0	APPD N.T.	
.000 ±.010	(0.00) ±0.25	RELEASE ECN H903	
HOLE TOLERANCES		DO NOT SCALE DRAWING	SIZE CODE IDENT NO. <b>D</b> 05157 7411296
INCHES	MILLIMETERS		
.013 THRU +.004	(.20) THRU +.10		SCALE NONE SHEET 1 OF 1
.125 - .001	(3.20) - .02		
.126 THRU +.005	(3.21) THRU +.13		
.250 - .001	(6.35) - .02		
.251 THRU +.006	(6.36) THRU +.16		
.500 - .001	(12.70) - .02		
.501 THRU +.008	(12.71) THRU +.20		
.750 - .001	(20.0) - .02		
REF 7411996	MATERIAL		
DASH REQD	FINISH		