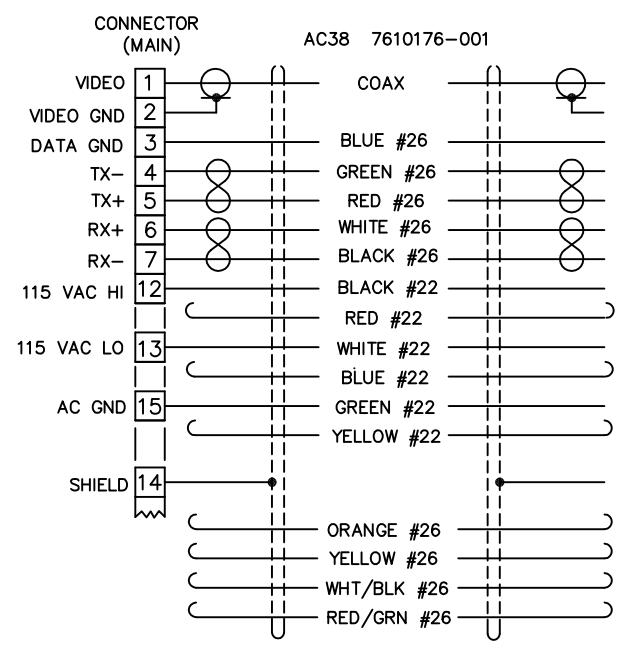
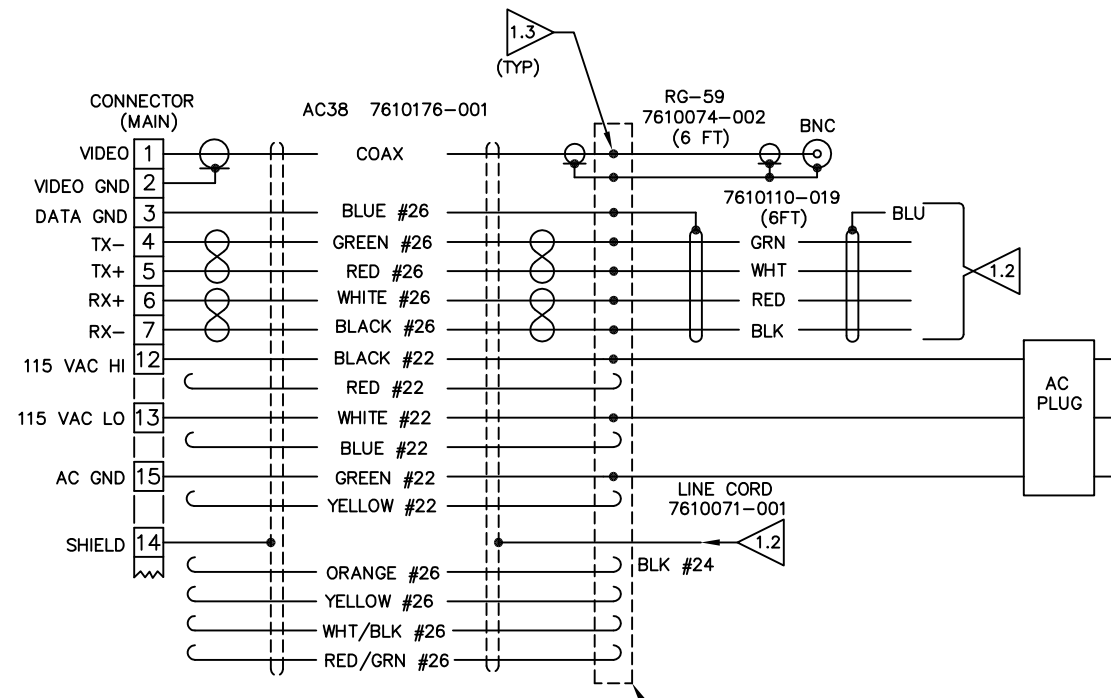


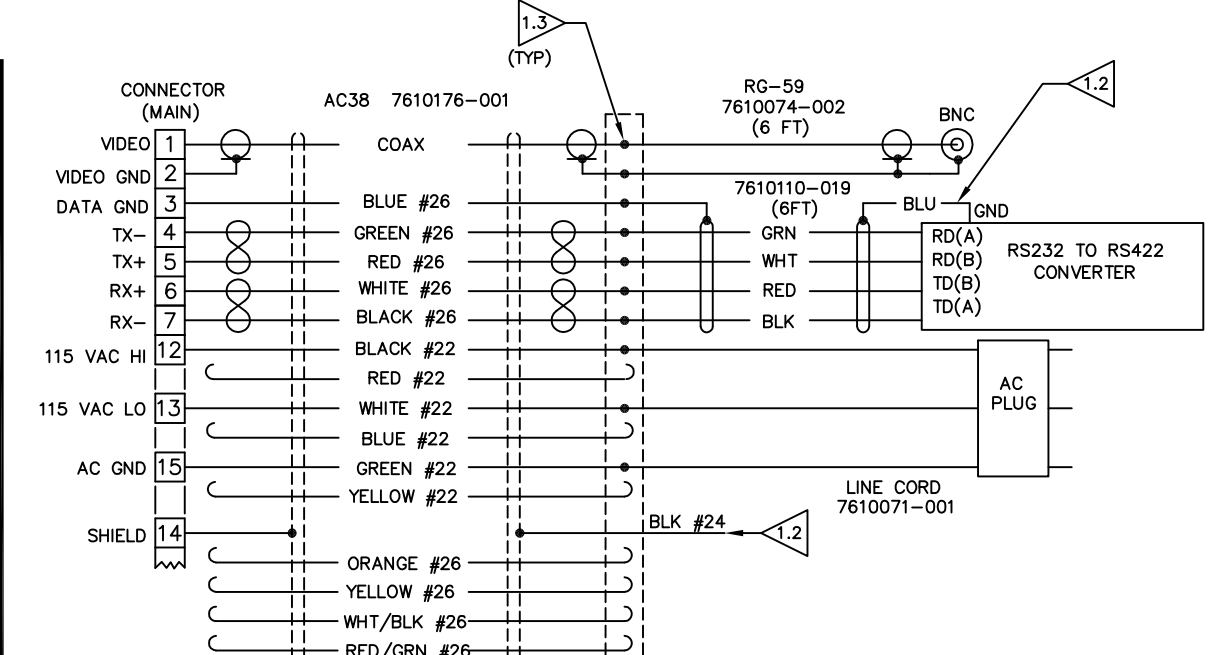
REVISIONS					
ZONE	LTR	DESCRIPTION	DATE	APPROVED	
	N	REDRAWN - ADDED CA297S & SHEET7.	05-24-08 M.C.	ECN K081	N.T.
	P	SEE SH6 FOR CHG.	11-28-07 M.C.	ECN K566	
	R	CHANGE BORDER FORMAT. IN TABLE AT ACCESSORY FOR MAIN CABLE ADDED PIN NUMBERS TO ALL CABLE ASSEMBLIES.	4-18-11 M.C.	ECO 030833	DD



CA297A



CA297B



CA297C

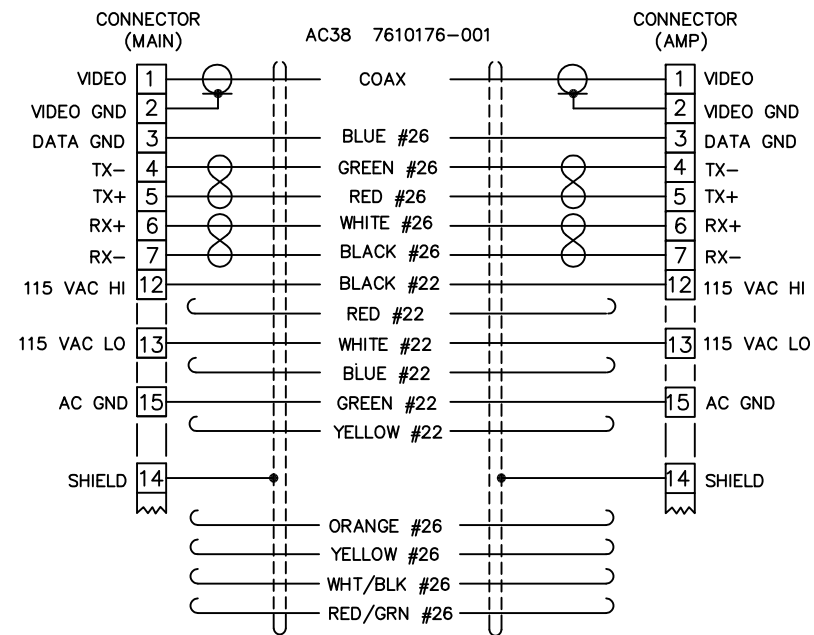
CA 297	CONNECTOR (MAIN)	ACCESSORY	ACCESSORY	CONNECTOR (BNC)	ACCESSORY	RS232 TO RS422 CONVERTER
A	1310307-009	1310307-103 (CLAMP)	1310308-002 (6 CONTACTS) (1,2,12,13,14,15) 1310308-008 (5 CONTACTS) (3,4,5,6,7)	-	-	-
B	1310307-009	1310307-103 (CLAMP)	1310308-002 (6 CONTACTS) (1,2,12,13,14,15) 1310308-008 (5 CONTACTS) (3,4,5,6,7)	1310212-003	-	-
C	1310307-009	1310307-103 (CLAMP)	1310308-002 (6 CONTACTS) (1,2,12,13,14,15) 1310308-008 (5 CONTACTS) (3,4,5,6,7)	1310212-003	-	3010100-001

- 1.4 INSTALL OVERALL SHRINK TUBING.
  - 1.3 INSTALL SHRINK TUBING OVER EACH SPLICED JOINT.
  - 1.2 STRIP & TIN WIRE ENDS. WIRES TO BE 6 INCH LONG PIGTAIL.
  - 1.1 MAX CABLE LENGTH : 750 FT.
- NOTES: UNLESS OTHERWISE SPECIFIED

UNLESS OTHERWISE SPECIFIED, DIMENSIONS ARE IN INCHES. DIMENSIONS IN ( ) ARE METRIC (MM). TOLERANCES ARE:		DRAFTER M.C. 08-07-02	
INCHES: .00 ±.03 (0.0) ±1.0 ±0° 30'		CHECKER N.T.	
MILLIMETERS: .000 ±.010 (0.00) ±0.25		APPD N.T.	<p>CABLE ASSEMBLY, 3955 CONTROL CA297</p>
ANGLES: ±.01 (0.25) ±.02 (0.51) ±.03 (0.76) ±.04 (1.02) ±.05 (1.27) ±.06 (1.52) ±.07 (1.78) ±.08 (2.03) ±.09 (2.29) ±.10 (2.54) ±.11 (2.79) ±.12 (3.05) ±.13 (3.30) ±.14 (3.55) ±.15 (3.81) ±.16 (4.06) ±.17 (4.32) ±.18 (4.57) ±.19 (4.83) ±.20 (5.08) ±.21 (5.33) ±.22 (5.59) ±.23 (5.84) ±.24 (6.10) ±.25 (6.35) ±.26 (6.60) ±.27 (6.86) ±.28 (7.11) ±.29 (7.37) ±.30 (7.62)		APPD N.T.	
FINISH: .013 THRU +.004 (-.50) THRU +.10 (-.125) -.001 (3.20) -.02		RELEASE ECN H903	<p>DO NOT SCALE DRAWING</p>
.126 THRU +.008 (3.21) THRU +.13 (.250) -.001 (6.35) -.02			
.251 THRU +.006 (6.35) THRU +.16 (.500) -.001 (12.70) -.02			SIZE CODE IDENT NO.
.501 THRU +.008 (12.71) THRU +.20 (.750) -.001 (20.0) -.02			D 05157 7411297 R
REF 7411996	MATERIAL FINISH		SCALE NONE SHEET 1 OF 7

D

D



CA297D

C

C

→

←


B

B

CA 297	CONNECTOR (MAIN)	ACCESSORY	ACCESSORY	CONNECTOR (AMP)	ACCESSORY	ACCESSORY
D	1310307-009	1310307-103 (CLAMP)	1310308-002 (6 CONTACTS) (1,2,12,13,14,15) 1310308-008 (5 CONTACTS) (3,4,5,6,7)	1310306-010	1310307-103 (CLAMP)	1310308-001 (6 CONTACTS) (1,2,12,13,14,15) 1310308-007 (5 CONTACTS) (3,4,5,6,7)

A

A

	DRAFTER	M.C. 01-31-03	 ELECTRONICS DIVISION SAN DIEGO CALIFORNIA
	CHECKER	N.T.	
	APPD	N.T.	
	RELEASE	ECN J010	
	DO NOT SCALE DRAWING		
REF	7411996	SIZE	CODE IDENT NO.
DASH	REQD	NEXT ASSEMBLY	SCALE NONE
			SHEET 2 OF 7 REV
			CABLE ASSEMBLY, 3955 CONTROL CA297 D 05157 7411297 R

↑

8

7

6

5

4

3

2

1

D

D

C

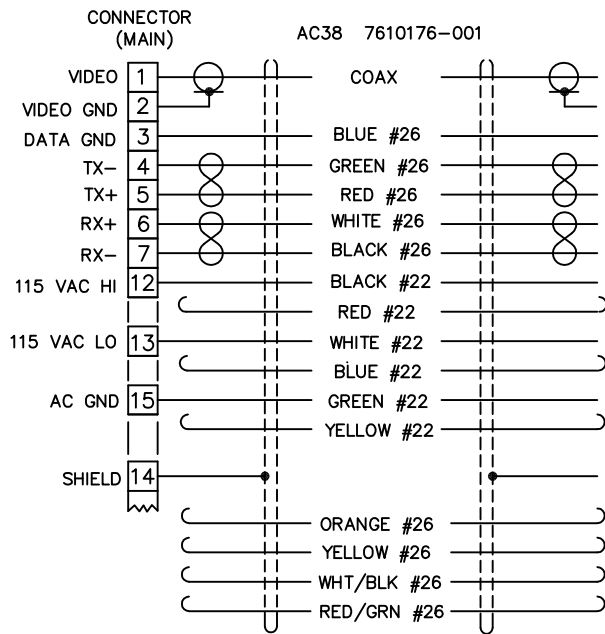
C

B

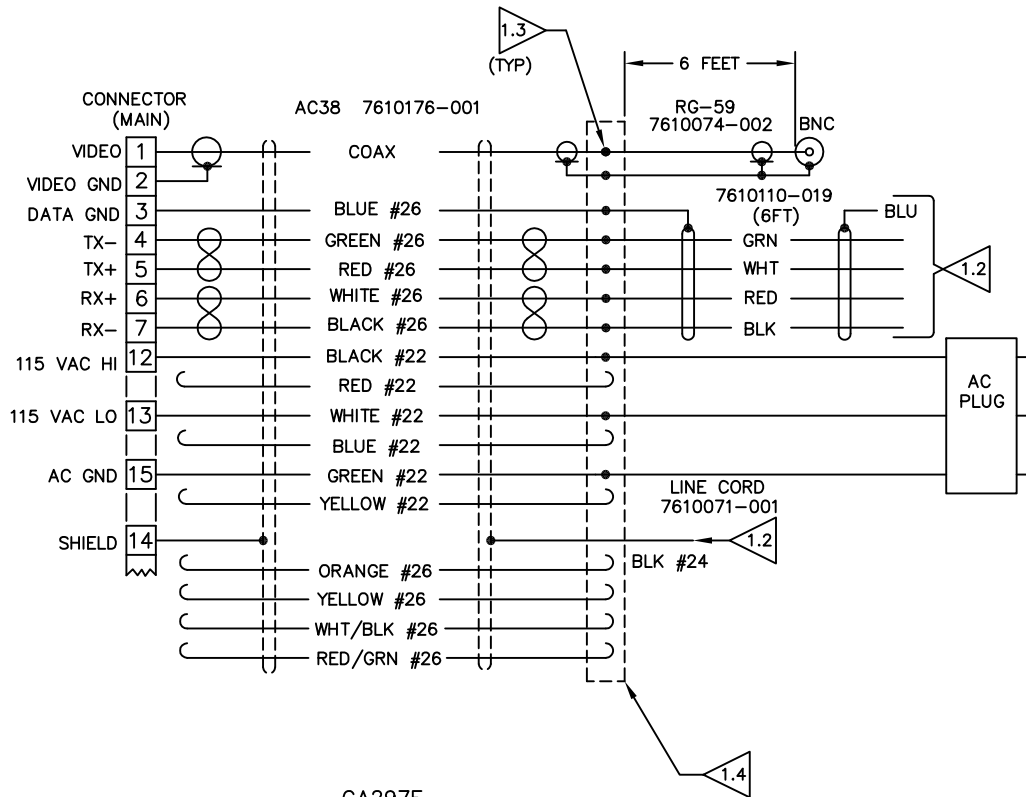
B

A

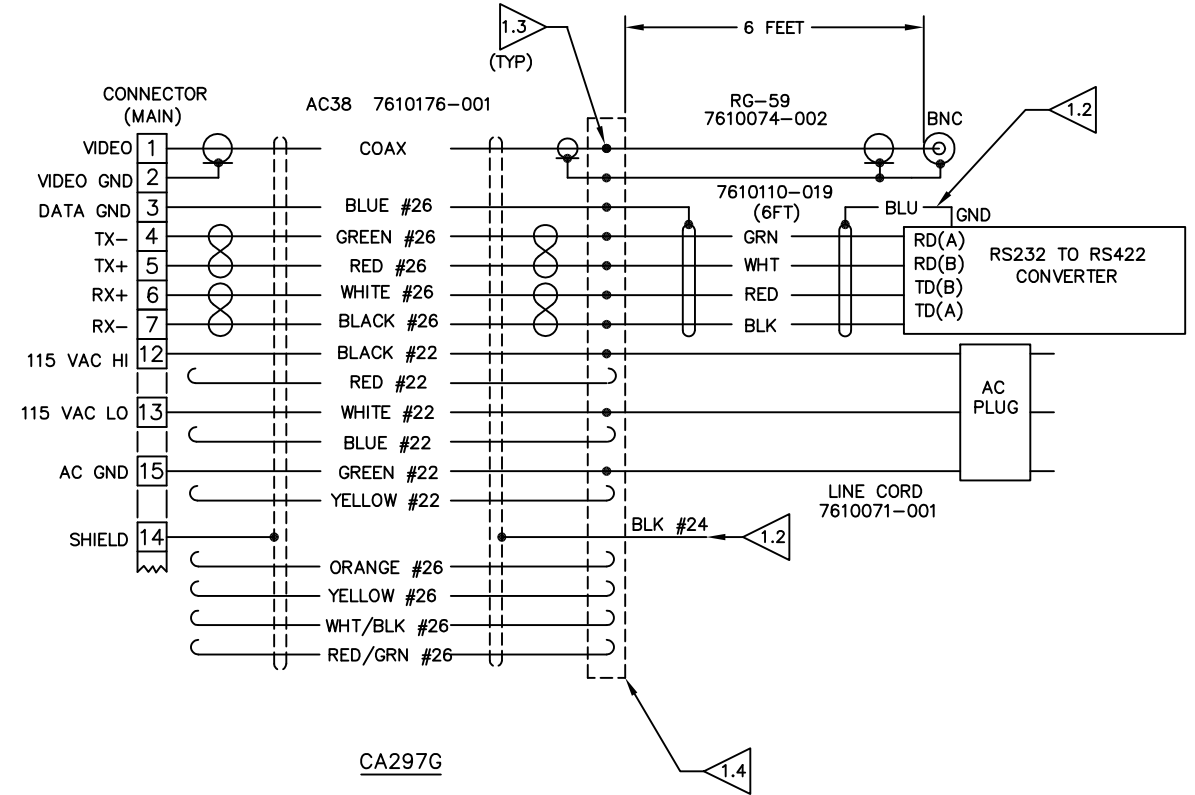
A



CA297E



CA297F



CA297G

CA 297	CONNECTOR (MAIN)	ACCESSORY	ACCESSORY	CONNECTOR (BNC)	ACCESSORY	RS232 TO RS422 CONVERTER
E	1310307-009	1310307-103 (CLAMP)	1310308-002 (6 CONTACTS) (1,2,12,13,14,15) 1310308-008 (5 CONTACTS) (3,4,5,6,7)	-	-	-
F	1310307-009	1310307-103 (CLAMP)	1310308-002 (6 CONTACTS) (1,2,12,13,14,15) 1310308-008 (5 CONTACTS) (3,4,5,6,7)	1310212-003	-	-
G	1310307-009	1310307-103 (CLAMP)	1310308-002 (6 CONTACTS) (1,2,12,13,14,15) 1310308-008 (5 CONTACTS) (3,4,5,6,7)	1310212-003	-	3010100-001

DRAFTER M.C. 08-06-03		<b>COHU</b> INC	ELECTRONICS DIVISION SAN DIEGO CALIFORNIA			
CHECKER N.T.			CABLE ASSEMBLY, 3955 CONTROL CA297			
APPD						
APPD N.T.						
RELEASE ECN J182						
DO NOT SCALE DRAWING						
REF	7411996	SIZE	CODE IDENT NO.	D 05157	7411297	R
DASH	REQD	SCALE	NONE	SHEET	3 OF 7	REV



8 7 6 5 4 3 2 1

D

D

C

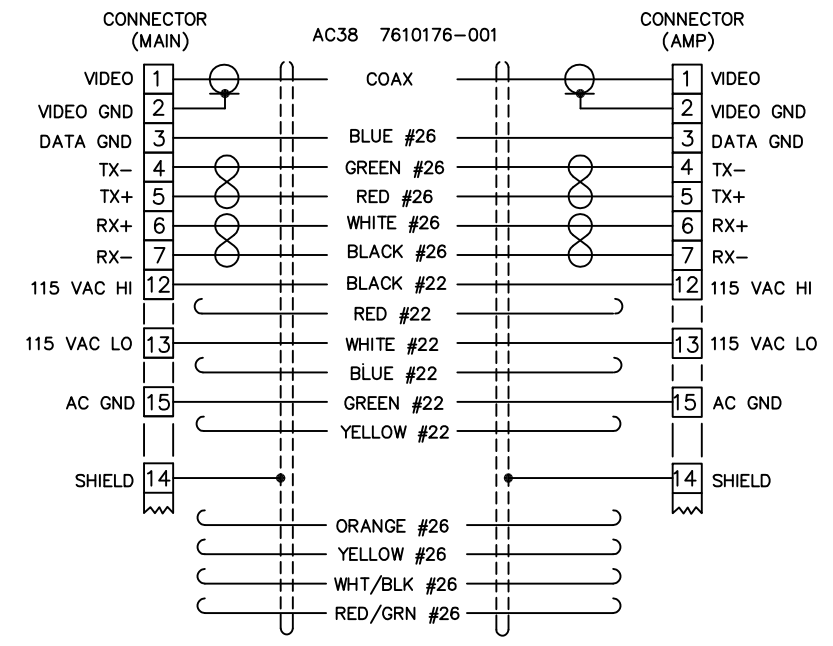
C

B

B


A

A



CA297H  
115V ONLY  
9300 INTERFACE

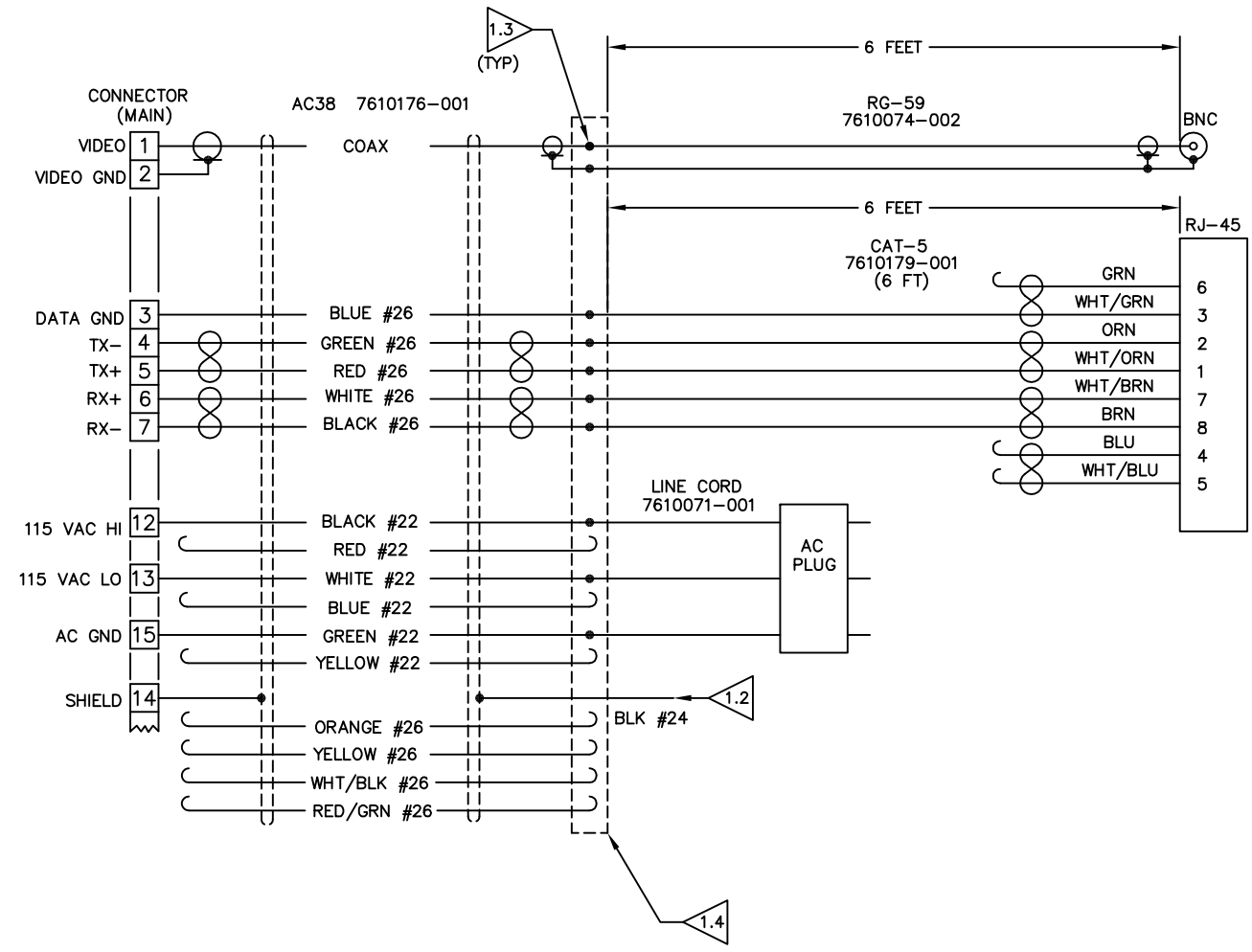
CA 297	CONNECTOR (MAIN)	ACCESSORY	ACCESSORY	CONNECTOR (AMP)	ACCESSORY	ACCESSORY
H	1310307-009	1310307-103 (CLAMP)	1310308-002 (6 CONTACTS) (1,2,12,13,14,15) 1310308-008 (5 CONTACTS) (3,4,5,6,7)	1310306-010	1310307-103 (CLAMP)	1310308-001 (6 CONTACTS) (1,2,12,13,14,15) 1310308-007 (5 CONTACTS) (3,4,5,6,7)

	DRAFTER	M.C. 08-06-03	 ELECTRONICS DIVISION SAN DIEGO CALIFORNIA
	CHECKER	N.T.	
	APPD	N.T.	
	RELEASE	ECN J182	
	DO NOT SCALE DRAWING		
	REF	7411996	CABLE ASSEMBLY, 3955 CONTROL CA297
	DASH	REQD	SIZE CODE IDENT NO. <b>D</b> 05157 7411297 <b>R</b>
		NEXT ASSEMBLY	SCALE NONE SHEET 4 OF 7 REV




8 7 6 5 4 3 2 1

D  
C  
B  
A



CA297M

CA 297	CONNECTOR (MAIN)	ACCESSORY	ACCESSORY	CONNECTOR (BNC)	CONNECTOR RJ-45
M	1310307-009	1310307-103 (CLAMP)	1310308-002 (6 CONTACTS) (1,2,12,13,14,15) 1310308-008 (5 CONTACTS) (3,4,5,6,7)	1310212-003	1310527-008

	DRAFTER	M.C. 02-23--05	 ELECTRONICS DIVISION SAN DIEGO CALIFORNIA				
	CHECKER	N.T.					
	APPD	N.T.					
	RELEASE	ECN J736					
	DO NOT SCALE DRAWING						
REF	7411996	SIZE	D 05157	CODE IDENT NO.	7411297	R	
DASH	REQD	NEXT ASSEMBLY	SCALE	NONE	SHEET	5 OF 7	REV



8

7

6

5

4

3

2

1

D

D

C

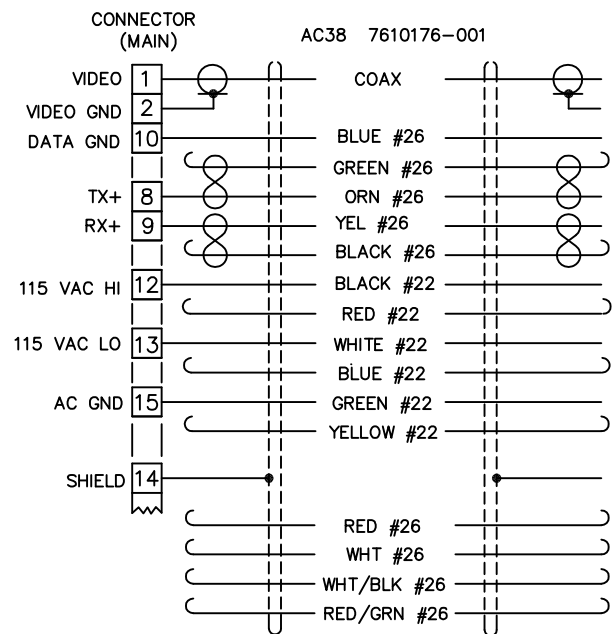
C

B

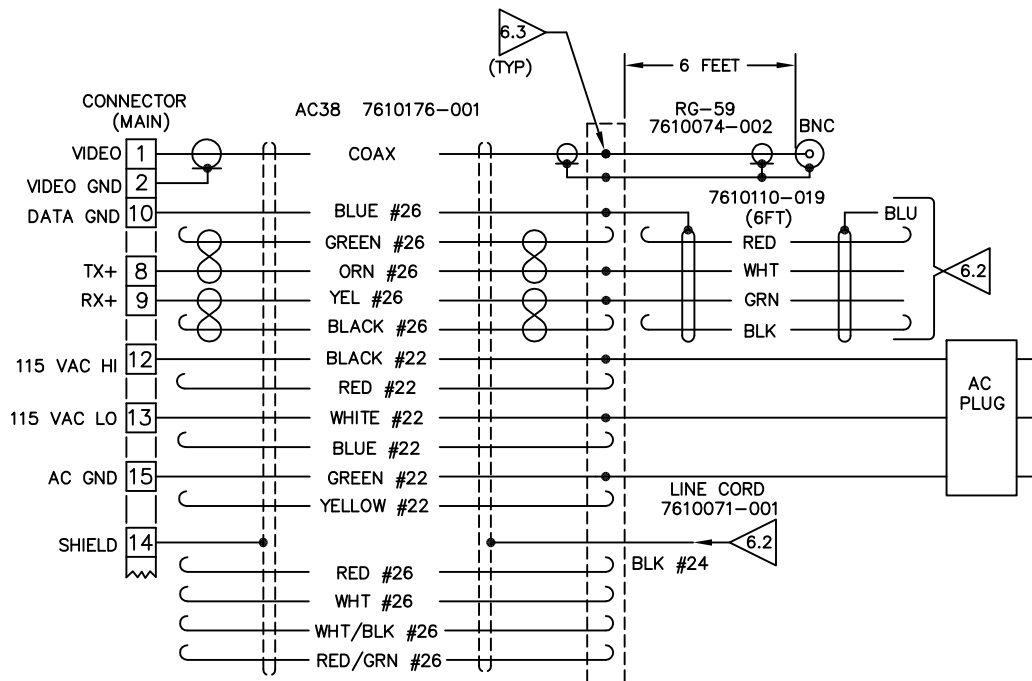
B

A

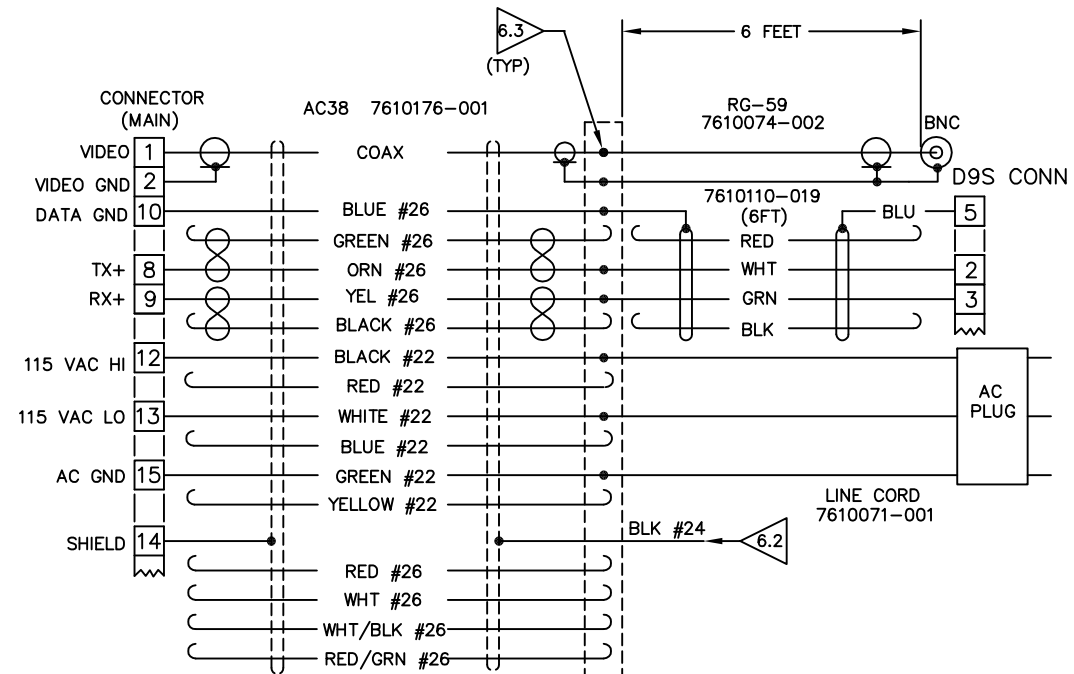
A



CA297P



CA297Q



CA297R

CA	CONNECTOR (MAIN)	ACCESSORY	ACCESSORY	CONNECTOR (BNC)	ACCESSORY	CONNECTOR (D9S) (RS232)	ACCESSORY
P	1310307-009	1310307-103 (CLAMP)	1310308-002 (6 CONTACTS) (1,2,12,13,14,15) 1310308-008 (3 CONTACTS) (8,9,10)	-	-	-	-
Q	1310307-009	1310307-103 (CLAMP)	1310308-002 (6 CONTACTS) (1,2,12,13,14,15) 1310308-008 (3 CONTACTS) (8,9,10)	1310212-003	-	-	-
R	1310307-009	1310307-103 (CLAMP)	1310308-002 (6 CONTACTS) (1,2,12,13,14,15) 1310308-008 (3 CONTACTS) (8,9,10)	1310212-003	-	1310136-004	1310341-009 (HOOD)

DRAFTER M.C. 10-24-05		<b>COHU</b> INC. ELECTRONICS DIVISION SAN DIEGO CALIFORNIA	
CHECKER N.T.			
APPD		CABLE ASSEMBLY, 3955 CONTROL CA297	
APPD			
RELEASE ECN J967			
DO NOT SCALE DRAWING		SIZE	CODE IDENT NO.
REF	7411996	D	05157
DASH	REQD	7411297	R
NEXT ASSEMBLY		SCALE NONE	SHEET 6 OF 7



8

7

6

5

4

3

2

1

D

D

C

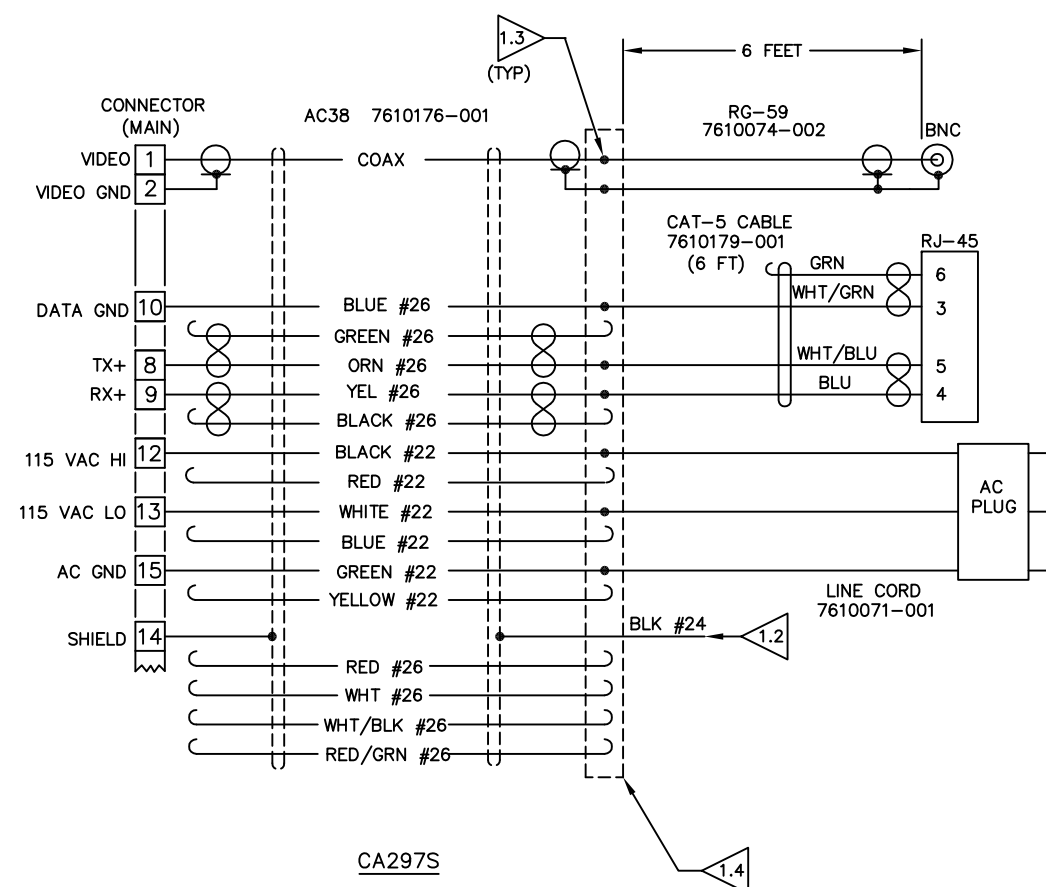
C

B

B


A

A



CA297S

CA	CONNECTOR (MAIN)	ACCESSORY	ACCESSORY	CONNECTOR (BNC)	ACCESSORY	CONNECTOR (RJ-45) (RS232)	ACCESSORY
S	1310307-009	1310307-103 (CLAMP)	1310308-002 (6 CONTACTS) (1,2,12,13,14,15) 1310308-008 (3 CONTACTS) (8,9,10)	1310212-003	-	1310527-008	-

DRAFTER M.C. 10-24-05		 ELECTRONICS DIVISION SAN DIEGO CALIFORNIA	
CHECKER N.T.			
APPD			
APPD			
RELEASE ECN J967		CABLE ASSEMBLY, 3965 CONTROL CA297	
DO NOT SCALE DRAWING			
REF 7411996			
DASH	REQD	NEXT ASSEMBLY	SIZE D CODE IDENT NO. 05157 7411297 SCALE NONE SHEET 7 OF 7 REV R