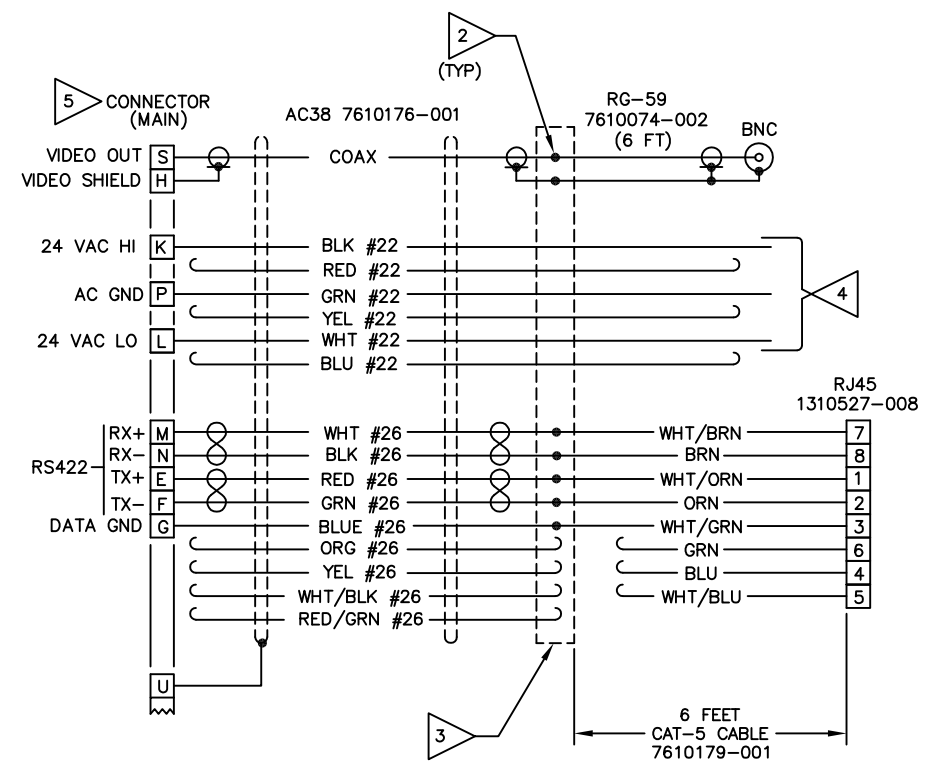
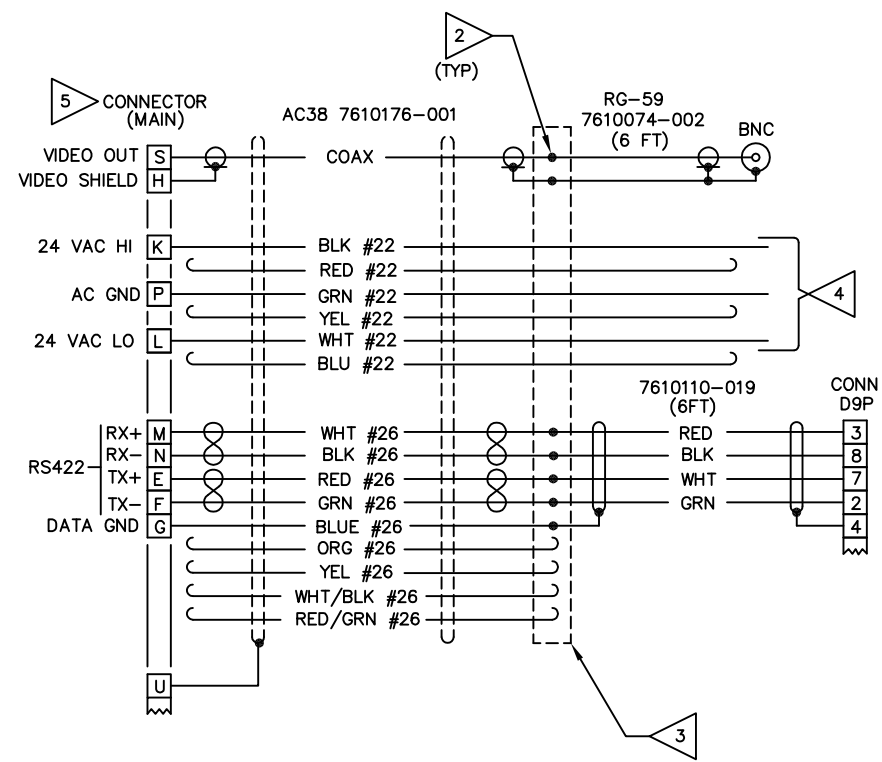


REVISIONS				
ZONE	LTR	DESCRIPTION	DATE	APPROVED
C5	A	REDRAWN - REVISED PIN NO'S AT CONNECTOR D9P & D9S, AT CABLE 7610110-019 RED WIRE WAS WHT, WHT WIRE WAS RED. ADDED "B & B..... TO CONVERTER.	04-02-03 M.C.	N.T.
A8	B	ADDED NOTE 5.	5-5-03 J.K.	N.T.
D6	C	AC38 7610176-001 WAS AC33 7610129-001, RG-59 7610074-002 WAS RG174/U 7610093-001.	3-23-05 M.C.	N.T.
B5	D	IN TABLE CA299A BNC CONNECTOR 1310212-003 WAS 1310212-004.	05-31-05 M.C.	N.T.
	E	CHANGE BORDER FORMAT. REVISED NOTES. ADDED ACCESSORY 1310216-013 AT CA299A. ADDED CA299M & NOTE 6.	5-04-10 M.C.	K.L.
	F	REMOVED ACCESSORY 1310216-013 FROM CA299A & CA299M.	4-18-11 M.C.	D.D.



CA 299	CONNECTOR (MAIN)	ACCESSORY	CONNECTOR (BNC)	ACCESSORY	CONNECTOR (D9P)	ACCESSORY
A	1310230-011	-	1310212-003	-	1310136-003	1310341-009 (HOOD)

CA 299	CONNECTOR (MAIN)	ACCESSORY	CONNECTOR (BNC)	CONNECTOR RJ45
M	1310230-011	-	1310212-003	1310527-008

- 6 MAX CABLE LENGTH : 80 FT.
- 5 POT MAIN CONNECTOR PER MM-81.
- 4 STRIP & TIN WIRE ENDS. WIRES TO BE 12-INCH PIGTAILS.
- 3 INSTALL OVERALL SHRINK TUBING.
- 2 INSTALL SHRINK TUBING OVER EACH SPLICED JOINT.
- 1 MAX CABLE LENGTH : 50 FT.

NOTES: UNLESS OTHERWISE SPECIFIED

UNLESS OTHERWISE SPECIFIED, DIMENSIONS ARE IN INCHES. DIMENSIONS IN () ARE METRIC (mm).		DRAFTER M.C. 09-11-02		ELECTRONICS DIVISION	
TOLERANCES ARE:		CHECKER N.T.		SAN DIEGO CALIFORNIA	
INCHES	ANGLES	APPD	CABLE ASSEMBLY, 3935 CAMERA CONTROL (24VAC) CA299		
.00 ±.03 (0.0) ±1.0 ±0° 30'		APPD N.T.			
.000 ±.000 (0.00) ±0.25		RELEASE ECN H912			
INCHES	MILLIMETERS	DO NOT SCALE DRAWING			
.013 THRU +.004 (-0.50) THRU +.10	(.33) THRU (3.20) -.02		SIZE	CODE IDENT NO.	REV
.125 -.001			D	05157	F
.126 THRU +.008 (3.21) THRU +.13	(6.35) -.02		7411299		
.250 -.001			SCALE NONE		
.251 THRU +.006 (6.35) THRU +.16	(12.70) -.02		SHEET 1 OF 1		
.501 THRU +.008 (12.71) THRU +.20	(20.0) -.02				
.750 -.001					
REF	7411996	MATERIAL			
DASH	REQD	NEXT ASSEMBLY			
		FINISH			