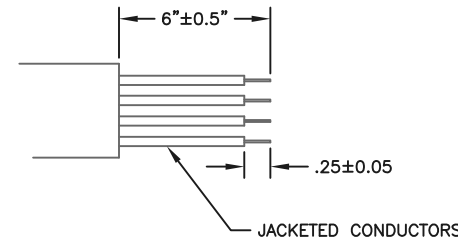
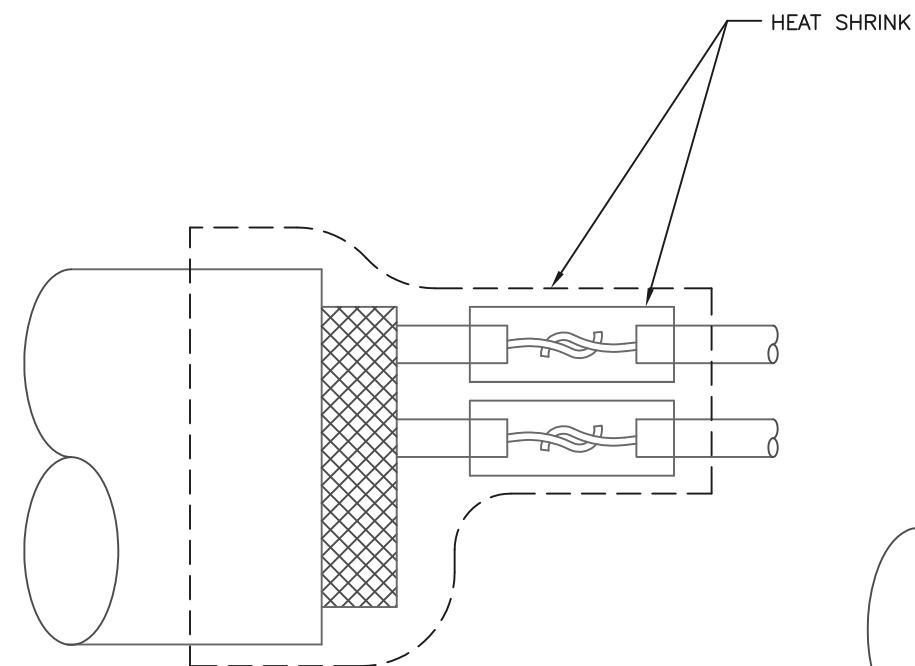


REVISIONS				
ZONE	LTR	DESCRIPTION	DATE	APPROVED
	A	INITIAL RELEASE.	ECO 031996 12-22-14 M.C.	MN
	B	ADDED NOTE 16. SH2: AT RJ45 REVERSED PINS 4 & 6 (4 WAS (MX2-), 6 WAS (MX3-)). SH4: AT J21 REVERSED PINS J & K (J WAS INPUT 2, K WAS OUTPUT 1).	ECO 031982 01-27-15 M.C.	DD
	C	SH3 & SH4: AT PIGTAIL SIDE GRAY WIRE #18 WAS #22.	ECO 032096 06-02-15 M.C.	MN
	D	CA276A ADDED ACCESSORY 7610203-001.	ECO 032129 7-15-15 M.C.	MN
	E	ADDED CA276D & SHEET 5.	ECO 032150 10-9-15 M.C.	MN
	F	CA276A CORRECTED FUNCTION TYPO J20-2,-3,-4,-5 & -7. ADDED CA276H & SHEET 6.	ECO 032150 11-10-15 M.C.	MN



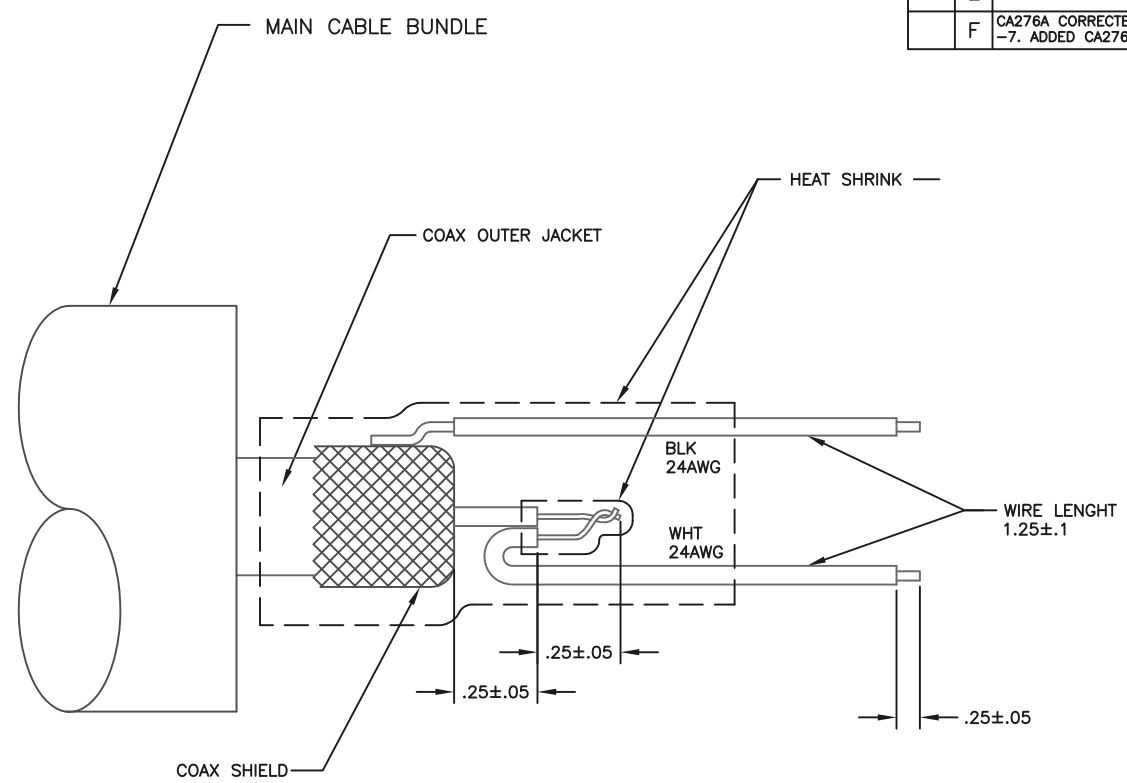
DETAIL "A" \triangle

WIRE TERMINATION



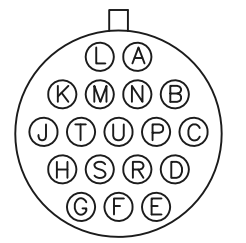
DETAIL "B" \triangle \triangle

PIGTAIL SPLICE

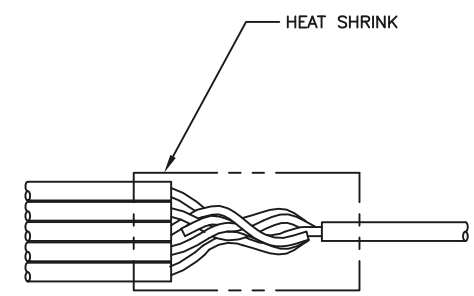


DETAIL "C" \triangle \triangle

COAX TERMINATION



1310230-111
VIEWED FROM
WIRING END



DETAIL "D" \triangle \triangle

PARALLEL TERMINATION

16 FINISHED ASSEMBLY SHALL CONFORM TO IPC/WHMA-A620 CLASS 2.

- \triangle SOLDER WIRE TO OVERALL SHIELD.
- \triangle SPLICE CABLES AS SHOWN IN DETAIL "B".
- \triangle INSTALL USING CONNECTOR MFR APPROVED CRIMPER AND INSTRUCTIONS.
- \triangle MUST BE ROHS COMPLIANT, USE ONLY Pb-FREE SOLDER.
- \triangle TERMINATE PARALLEL CONDUCTORS INTO A SINGLE CONDUCTOR AS SHOWN.
- \triangle POT MAIN CONNECTOR PER MM-81.
- \triangle UNUSED WIRE TO BE CUT FLUSH W/OUTER JACKET AND COVERED BY HEAT SHRINK.
- \triangle IDENTIFY WITH THE 'CAxxxx' CABLE NUMBER AS INDICATED IN THIS DRAWING, THE REVISION OF THIS DRAWING, "ROHS" AND THE SPECIFIED CABLE LENGTH APPROX. WHERE SHOWN.
- \triangle IDENTIFY WITH NOMENCLATURE INDICATED APPROX. WHERE SHOWN.
- \triangle INSTALL CONNECTORS PER MFR. INSTRUCTIONS.
- \triangle TERMINATE COAX PER DETAIL C.
- \triangle STRIP OUTER JACKET BACK 6" ±.5". STRIP INDIVIDUAL CONDUCTORS .25"±.05" AND TIN WIRE AS REQUIRED BY SCHEMATIC. UNUSED WIRE TO BE CUT FLUSH WITH OUTER JACKET AND COVERED BY HEAT SHRINK IF REQUIRED. SEE DETAIL A.
- \triangle FOR CABLE LENGTHS GREATER THAN 10 FEET: STRIP OUTER JACKET OF CABLE BUNDLE BACK 6 FEET. FOR CABLE LENGTHS LESS THAN 10 FEET: STRIP OUTER JACKET OF CABLE BACK 1/2 OF SPECIFIED LENGTH. FOR ALL CABLES: TERMINATE WIRES AS INDICATED BY SCHEMATIC.
- \triangle INSTALL SHRINK TUBING OVER SPICED SOLDER JOINTS.
- \triangle MAX. CABLE LENGTH: 325 FEET FOR POE; 100 FEET FOR 24VAC. MINIMUM CABLE LENGTH IS 2 FEET.

NOTES: UNLESS OTHERWISE SPECIFIED

UNLESS OTHERWISE SPECIFIED DIMENSIONS ARE IN INCHES () ARE METRIC (mm)	DRAFTER M.C. 12-22-14
TOLERANCES ARE	CHECKER MN
INCHES .00 ±.03 (0.0) ±1.0 ±0' 30"	APPD
MILLIMETERS .000 ±.010 (0.00) ±0.25	APPD
ANGLE TOLERANCES	RELEASE ECO 031996
INCHES .013 THRU +.004 (-.20) THRU +.10	
.125 -.001 (3.20) -.02	
.126 THRU +.008 (3.21) THRU +.13	
.250 -.001 (6.35) -.02	
.251 THRU +.006 (6.36) THRU +.16	
.500 -.001 (12.70) -.02	
.501 THRU +.008 (12.71) THRU +.20	
.750 -.001 (20.0) -.02	
REF 7411996	MATERIAL
DASH RECD NEXT ASSEMBLY FINISH	

DO NOT SCALE DRAWING

COHU HDICOSTAR™

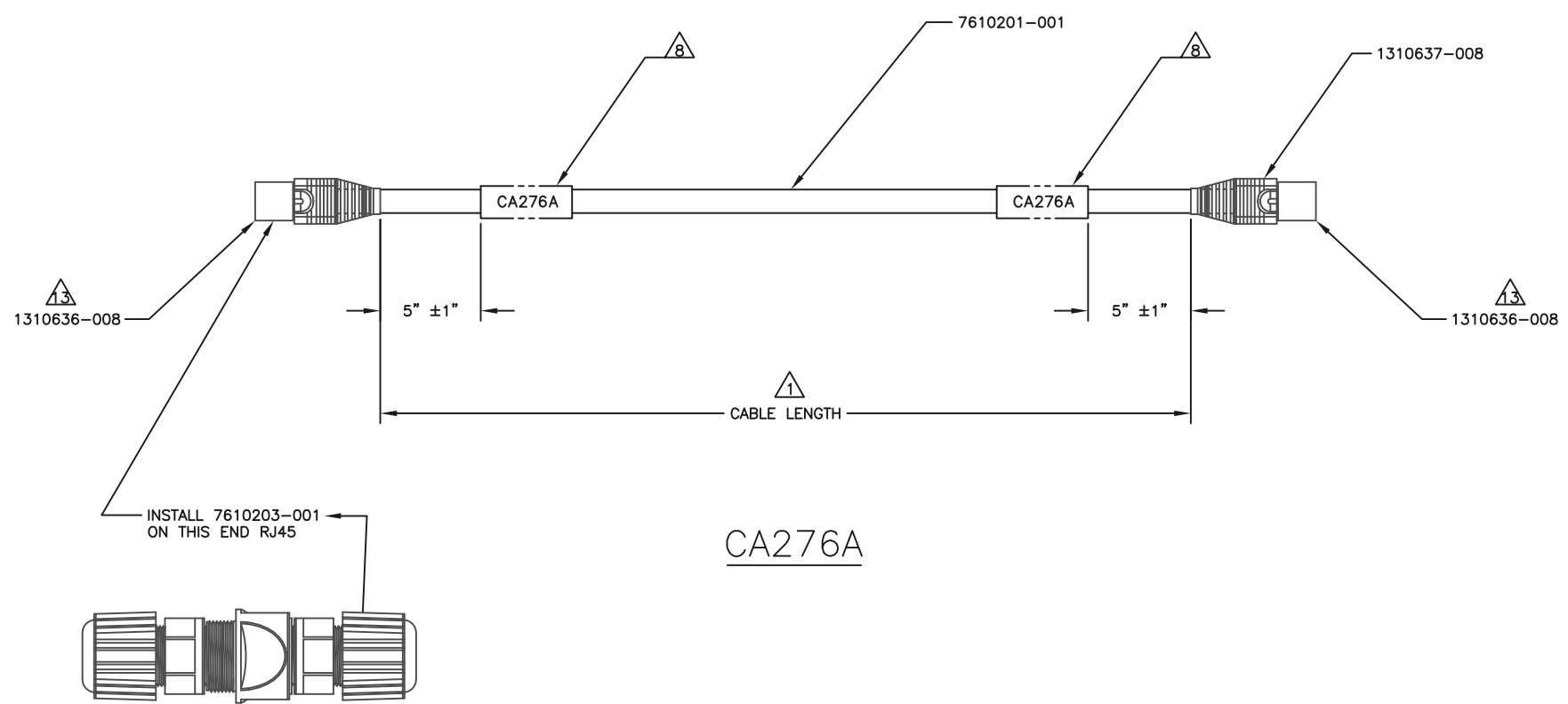
CABLE ASSEMBLY
CA276

SIZE	CODE IDENT NO.		
D	05157	7411276	F
SCALE NONE	SHEET 1 OF 6	REV	

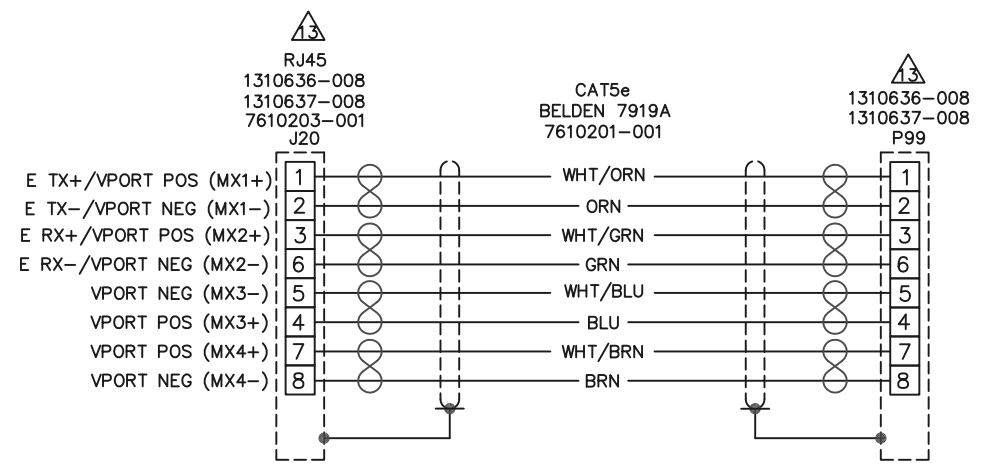
8 7 6 5 4 3 2 1

D
C
B
A

D
C
B
A



CA276A



SCHEMATIC

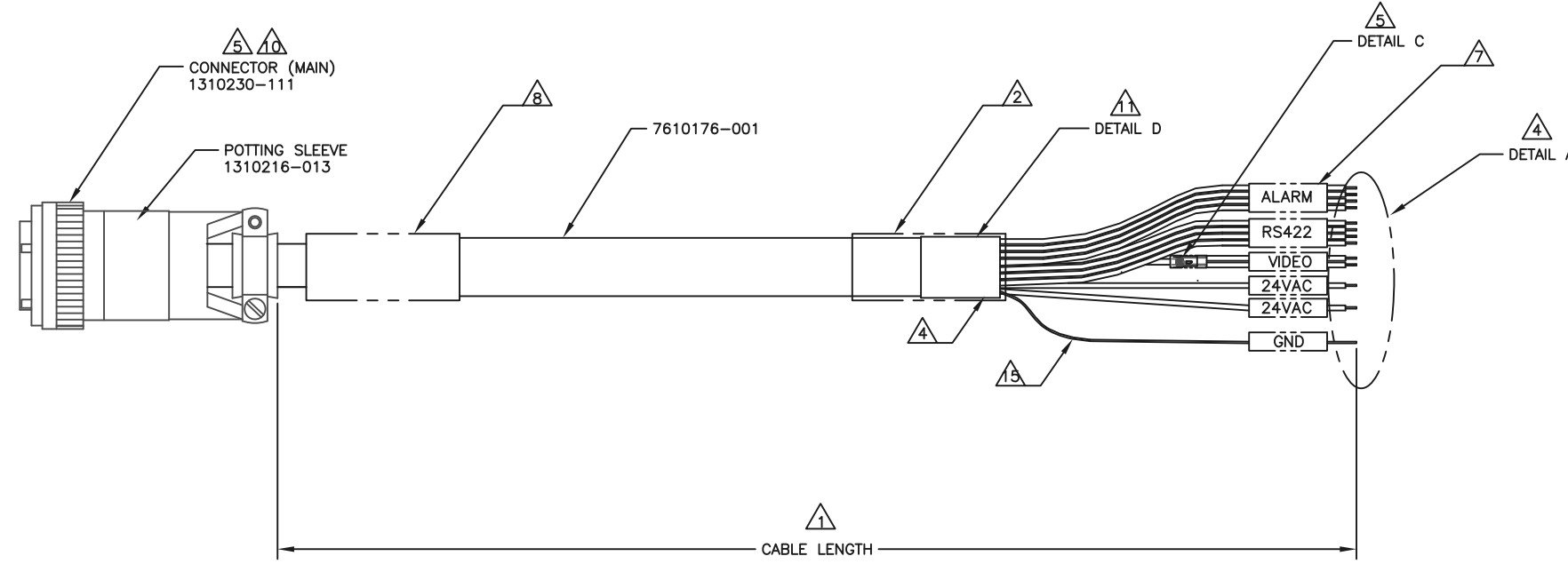
CA 276	CONNECTOR RJ45	ACCESSORY	CONNECTOR RJ45	ACCESSORY
A	1310636-008	7610203-001	1310636-008	1310637-008

		DRAFTER M.C. 12-22-14	COHU HDICOSTAR			
		CHECKER MN				
		APPD	CABLE ASSEMBLY CA276			
		APPD				
		RELEASE ECO 031996				
		DO NOT SCALE DRAWING				
			SIZE D	CODE IDENT NO. 05157	7411276	F
DASH	REQD	NEXT ASSEMBLY	SCALE NONE	SHEET 2 OF 6	REV	

8 7 6 5 4 3 2 1

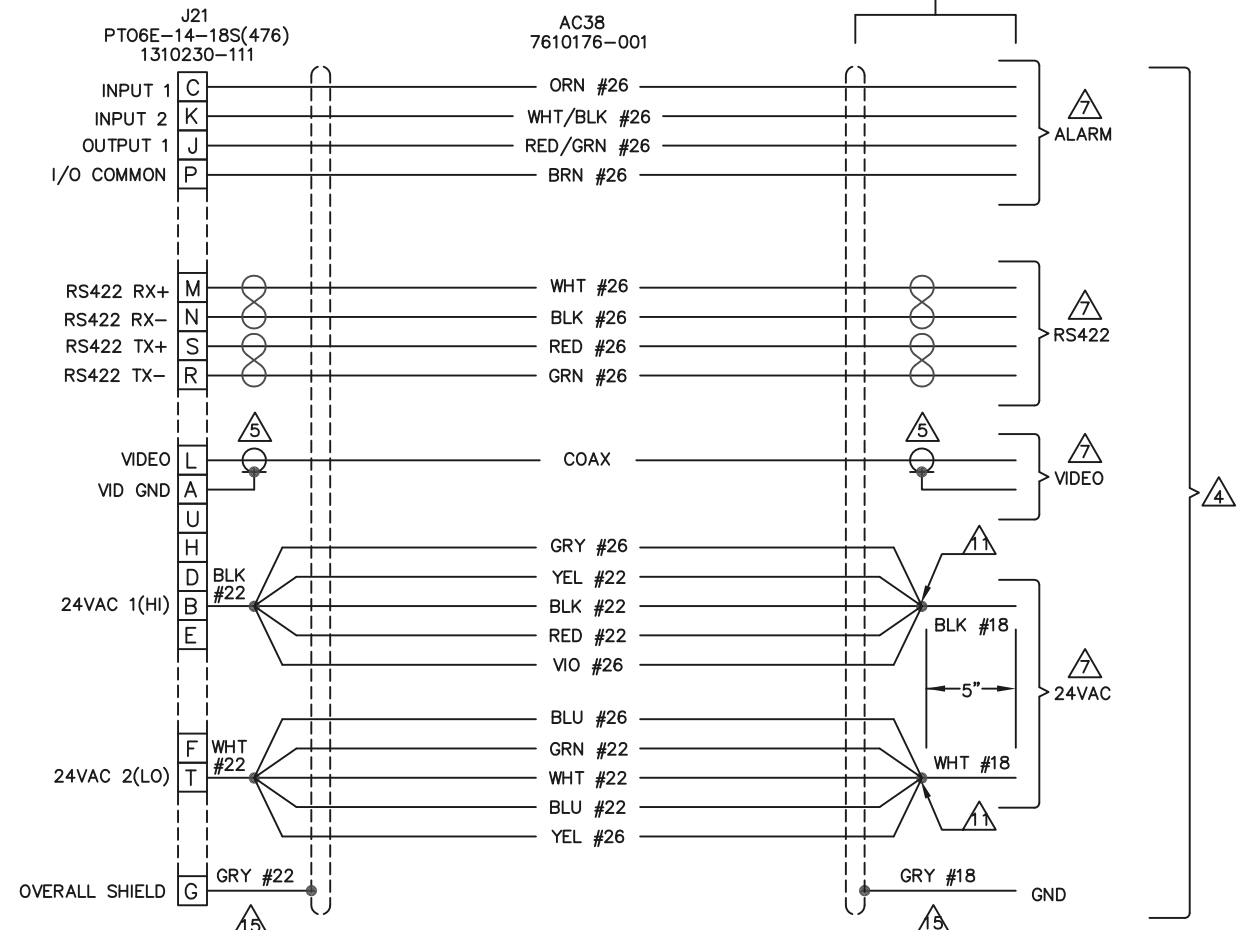
8 7 6 5 4 3 2 1

D
C
B
A



CA276B

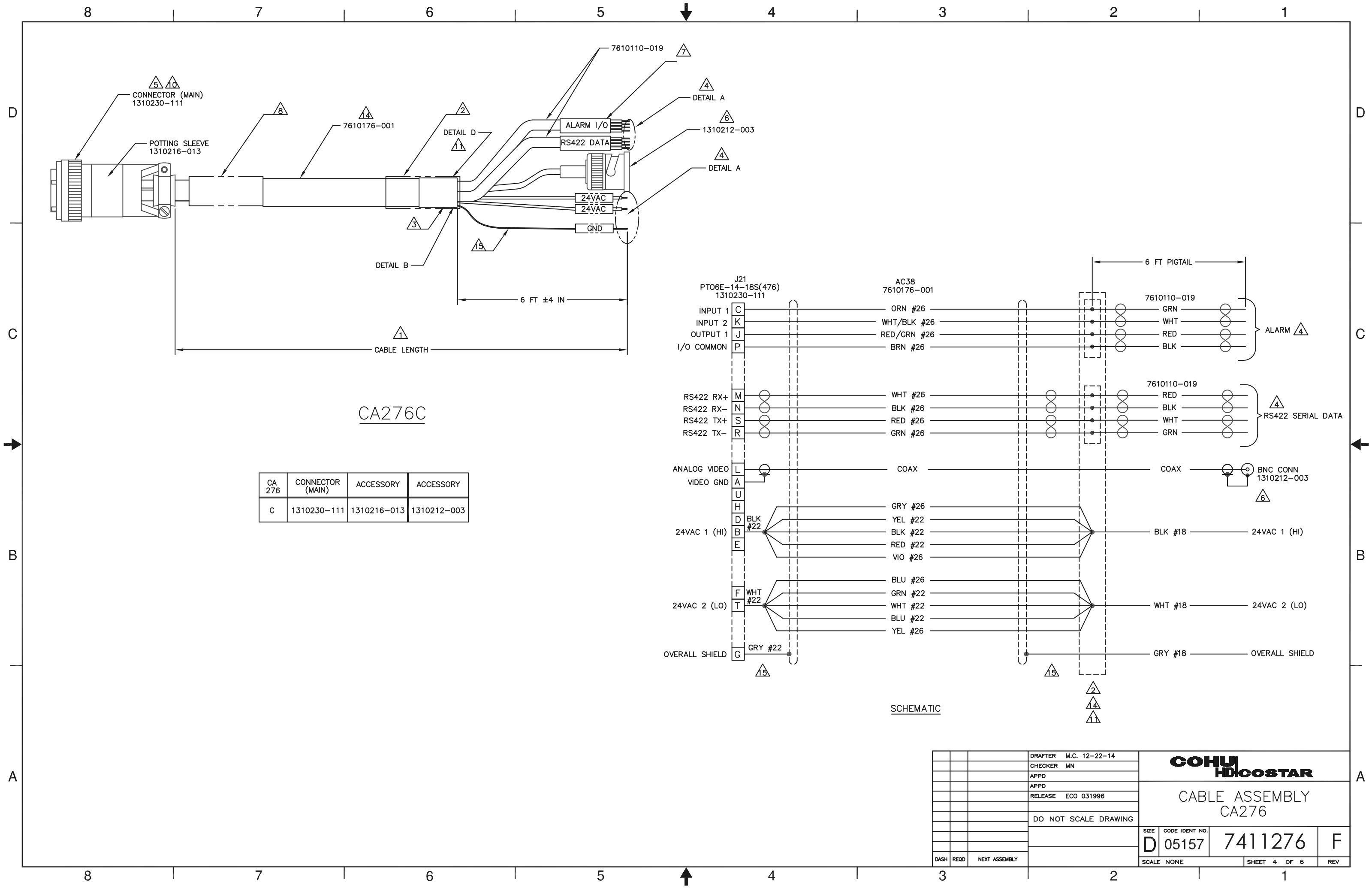
CA 276	CONNECTOR (MAIN)	ACCESSORY
B	1310230-111	1310216-013



SCHEMATIC

		DRAFTER M.C. 12-22-14	COHU HDICOSTAR	
		CHECKER MN		
		APPD	CABLE ASSEMBLY CA276	
		APPD		
		RELEASE ECO 031996	SIZE CODE IDENT NO. D 05157 7411276 F	
		DO NOT SCALE DRAWING		
			SCALE NONE SHEET 3 OF 6 REV	
DASH	REQD	NEXT ASSEMBLY		

8 7 6 5 4 3 2 1



CA276C

CA 276	CONNECTOR (MAIN)	ACCESSORY	ACCESSORY
C	1310230-111	1310216-013	1310212-003

SCHEMATIC

		DRAFTER M.C. 12-22-14	COHU HDICOSTAR	
		CHECKER MN		
		APPD	CABLE ASSEMBLY CA276	
		APPD		
		RELEASE ECO 031996		
		DO NOT SCALE DRAWING	SIZE	CODE IDENT NO.
			D	05157
				7411276
				F
DASH	REQD	NEXT ASSEMBLY	SCALE NONE	SHEET 4 OF 6

8 7 6 5 4 3 2 1

D

D

C

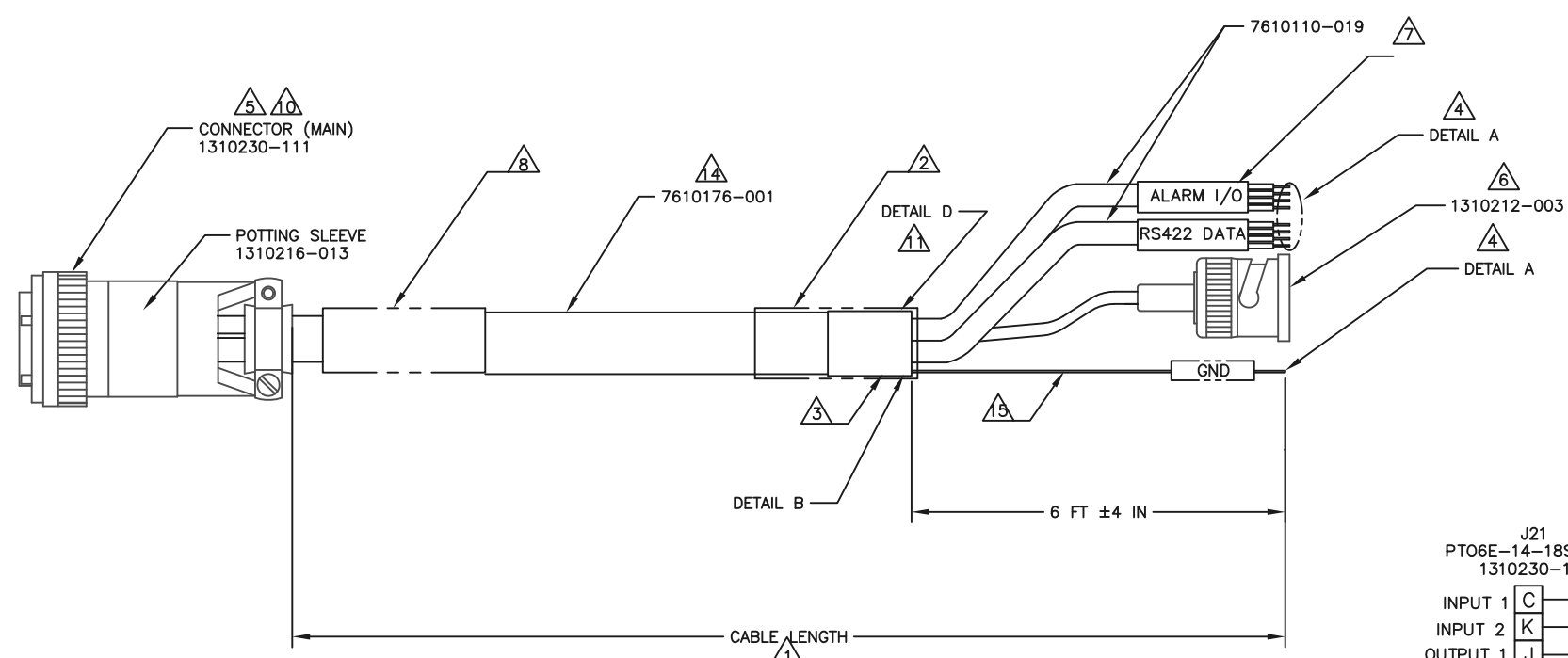
C

B

B

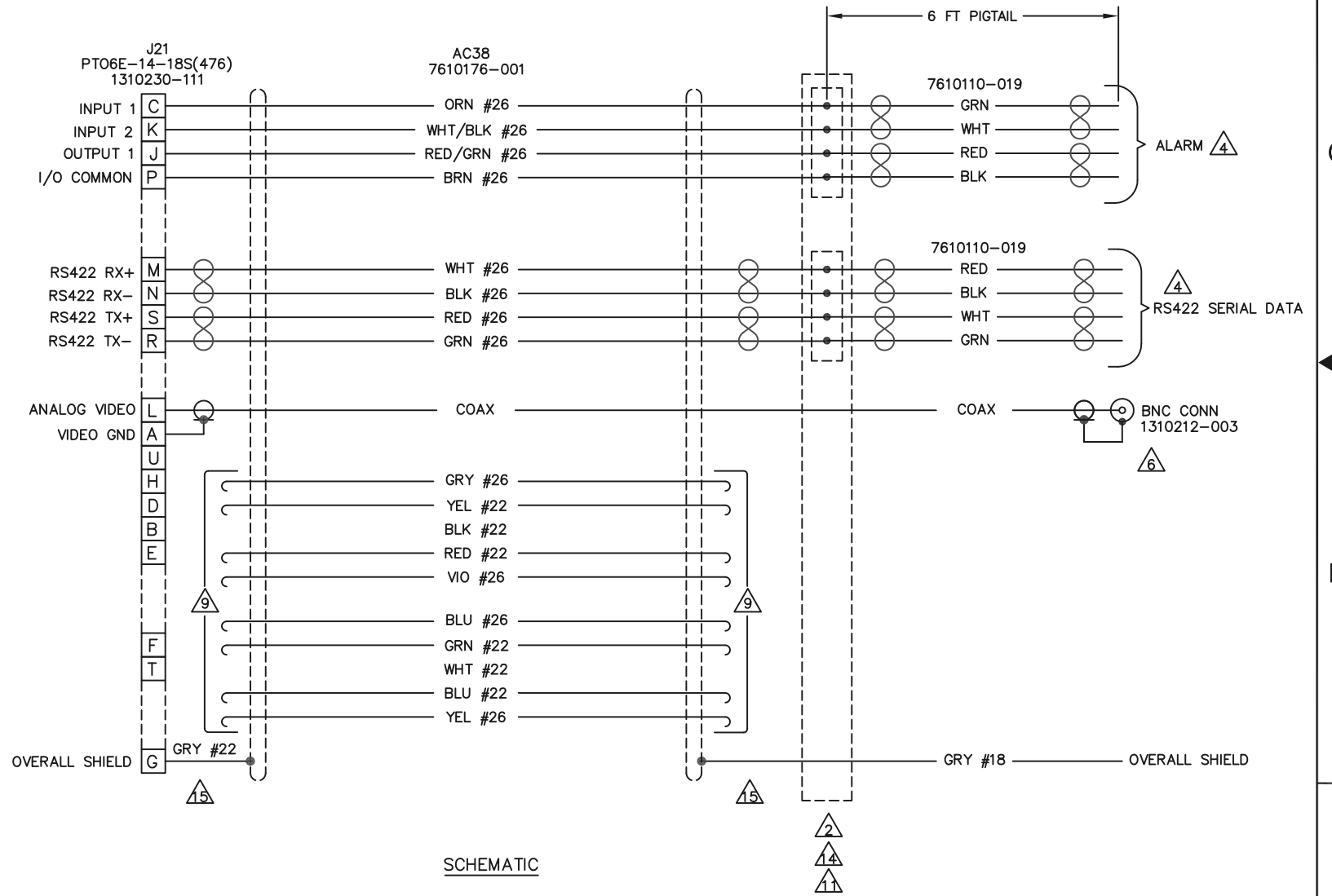
A

A



CA276D

CA 276	CONNECTOR (MAIN)	ACCESSORY	ACCESSORY
D	1310230-111	1310216-013	1310212-003



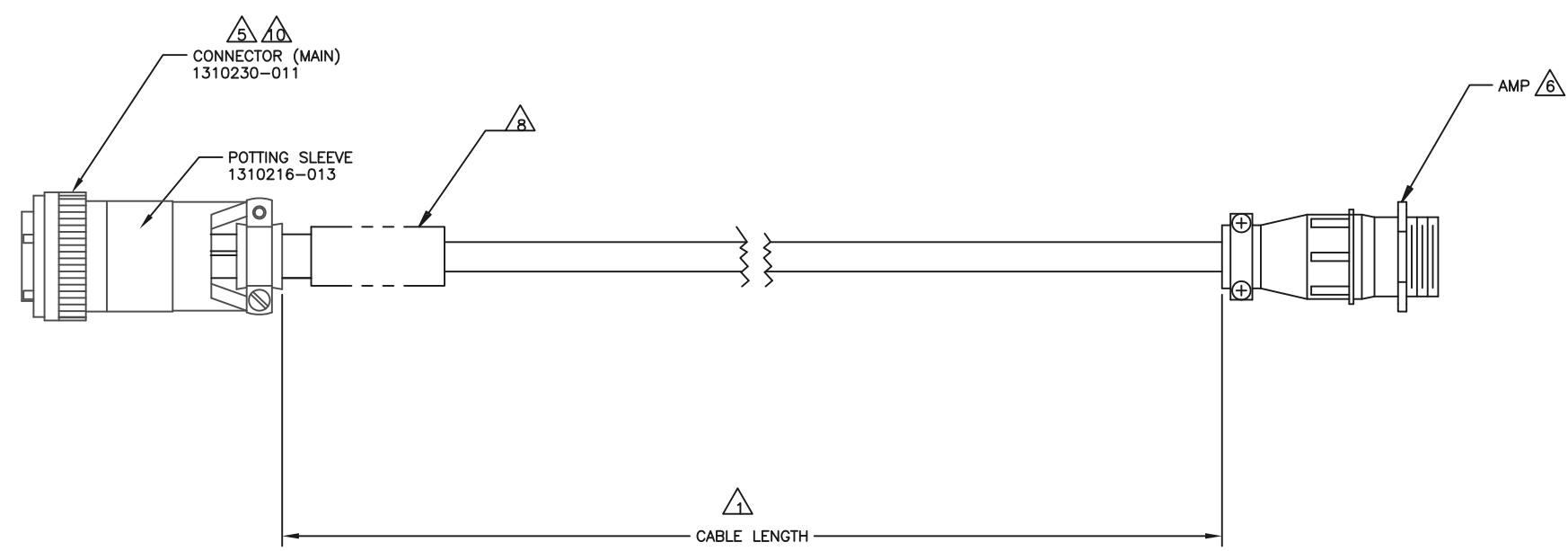
SCHEMATIC

		DRAFTER M.C. 12-22-14	COHU HDICOSTAR	
		CHECKER MN		
		APPD	CABLE ASSEMBLY CA276	
		APPD		
		RELEASE ECO 031996		
		DO NOT SCALE DRAWING	SIZE	CODE IDENT NO.
			D	05157
				7411276
				F
DASH	REQD	NEXT ASSEMBLY	SCALE NONE	SHEET 5 OF 6

8 7 6 5 4 3 2 1

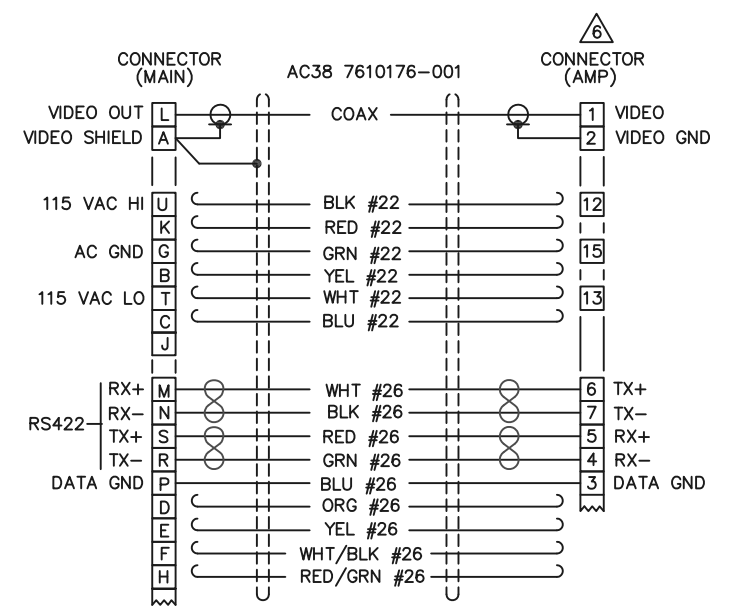
8 7 6 5 4 3 2 1

D
C
B
A



CA276H

CA 276	CONNECTOR (MAIN)	ACCESSORY	CONNECTOR (AMP)	ACCESSORY	ACCESSORY
H	1310230-011	1310216-013	1310306-010	1310307-103 (CLAMP)	1310308-001 (2 CONTACTS) (1,2.) 1310308-007 (5 CONTACTS) (3,4,5,6,7)



SCHEMATIC

		DRAFTER M.C. 12-22-14	COHU HDICOSTAR	
		CHECKER MN		
		APPD	CABLE ASSEMBLY CA276	
		APPD		
		RELEASE ECO 031996	SIZE CODE IDENT NO. D 05157 7411276 F	
		DO NOT SCALE DRAWING		
			SCALE NONE SHEET 6 OF 6 REV	
DASH	REQD	NEXT ASSEMBLY		

8 7 6 5 4 3 2 1