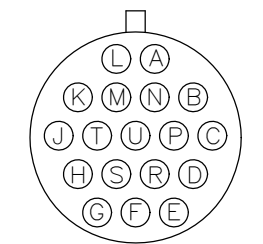


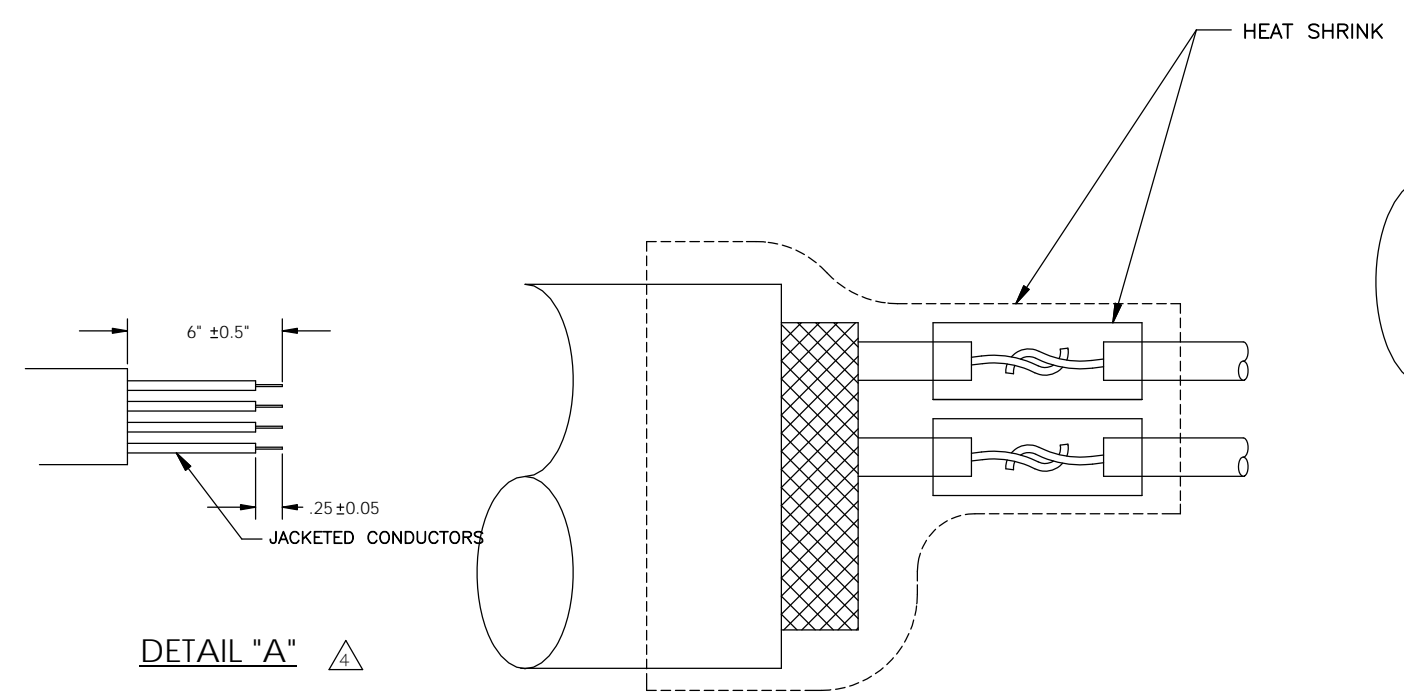
**NOTES: UNLESS OTHERWISE SPECIFIED**

- 1 MAX. CABLE LENGTH: 328 FEET FOR 120VAC. MINIMUM CABLE LENGTH IS 2 FEET.
- 2 INSTALL SHRINK TUBING OVER SPLICED SOLDER JOINTS AS SHOWN IN DETAILS B & D.
- 3 FOR CABLE LENGTHS GREATER THAN 10 FEET: STRIP OUTER JACKET OF CABLE BUNDLE BACK 6 FEET. FOR CABLE LENGTHS LESS THAN 10 FEET: STRIP OUTER JACKET OF CABLE 1/2 OF SPECIFIED LENGTH. FOR ALL CABLE S TERMINATE WIRES AS INDICATED BY SCHEMATIC.
- 4 STRIP OUTER JACKET BACK  $6" \pm .5"$ . STRIP INDIVIDUAL CONDUCTORS  $.25" \pm .05"$  AND TIN WIRE AS REQUIRED BY SCHEMATIC. UNUSED WIRE TO BE CUT FLUSH WITH OUTER JACKET AND COVERED BY HEAT SHRINK IF REQUIRED. SEE DETAIL A.
- 5 TERMINATE COAX PER DETAIL C.
- 6 INSTALL CONNECTORS PER MFR. INSTRUCTIONS.
- 7 IDENTIFY WITH NOMENCLATURE INDICATED APPROX. WHERE SHOWN.
- 8 IDENTIFY WITH THE 'CAxxxY' CABLE NUMBER AS INDICATED IN THIS DRAWING, THE REVISION OF THIS DRAWING, AND THE SPECIFIED CABLE LENGTH APPROX. WHERE SHOWN.
- 9 UNUSED WIRE TO BE CUT FLUSH W/OUTER JACKET AND COVERED BY HEAT SHRINK.
- 10 POT MAIN CONNECTOR PER MM-81.
- 11 TERMINATE TWO PARALLEL CONDUCTORS INTO A SINGLE CONDUCTOR AS SHOWN.
- 12 DO NOT INSTALL THE STRAIN RELIEF CLAMP PARTS PROVIDED WITH THE CONNECTOR.
- 13 DO NOT STRIP JACKET OR PREP THIS END.
- 14. MUST BE ROHS COMPLIANT. USE Pb FREE SOLDER.

| REVISIONS |      |  |                |          |
|-----------|------|--|----------------|----------|
| ZONE      | REV. | DESCRIPTION  | DATE           | APPROVED |
|           | A    | INITIAL RELEASE ECO 032148                                       | 10/21/2015 RDL | RDL      |
|           | B    | SH2 THRU SH9: ADDED ADDED POTTING SLEEVE 1310216-013. ECO 032222 | 10/30/2015     | MN       |

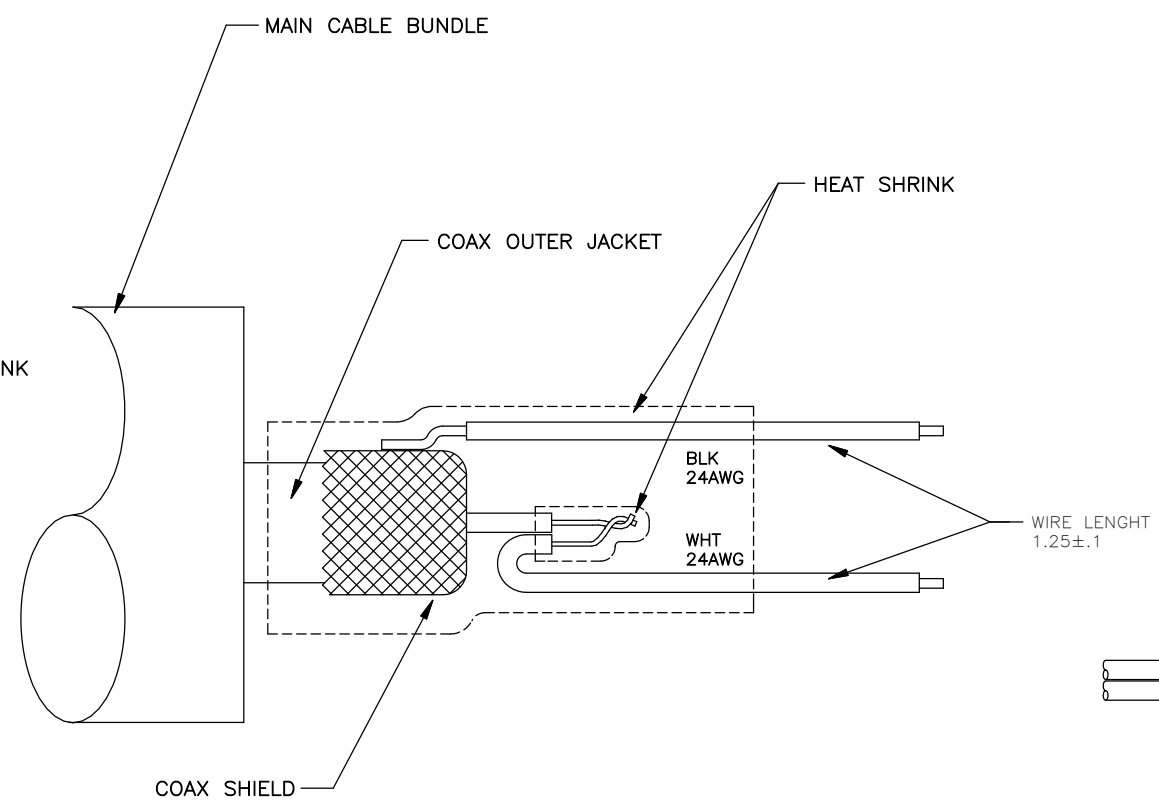


1310230-111  
**VIEWED FROM WIRING END**



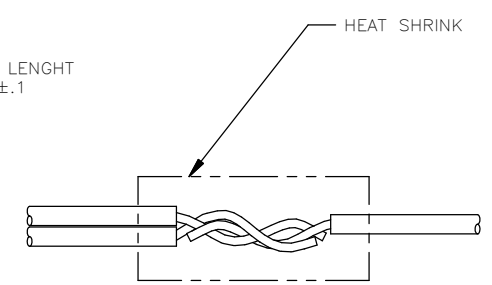
DETAIL "A" 4

**WIRE TERMINATION**



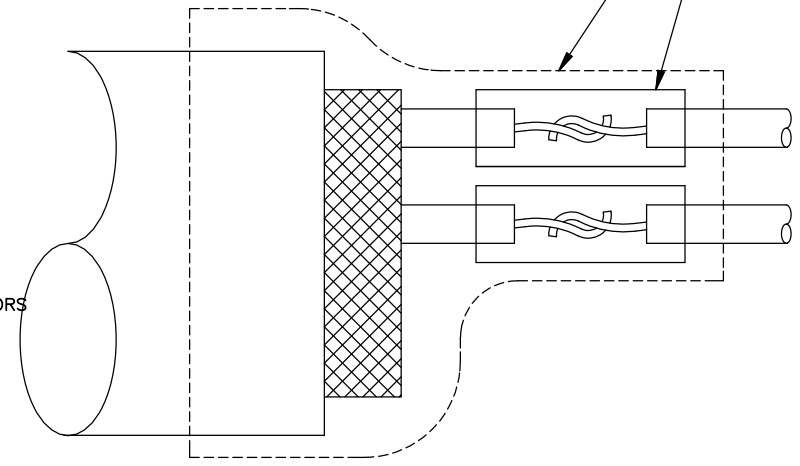
DETAIL "C" 5

**COAX TERMINATION**



DETAIL "D" 11

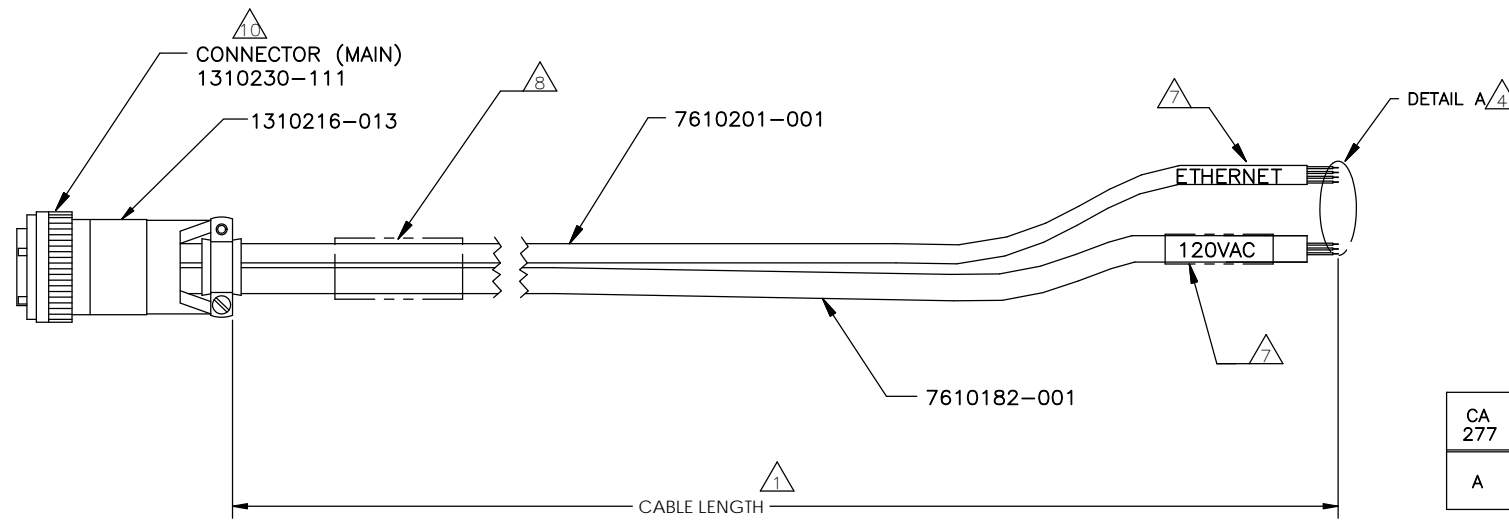
**PARALLEL TERMINATION**



DETAIL "B" 2

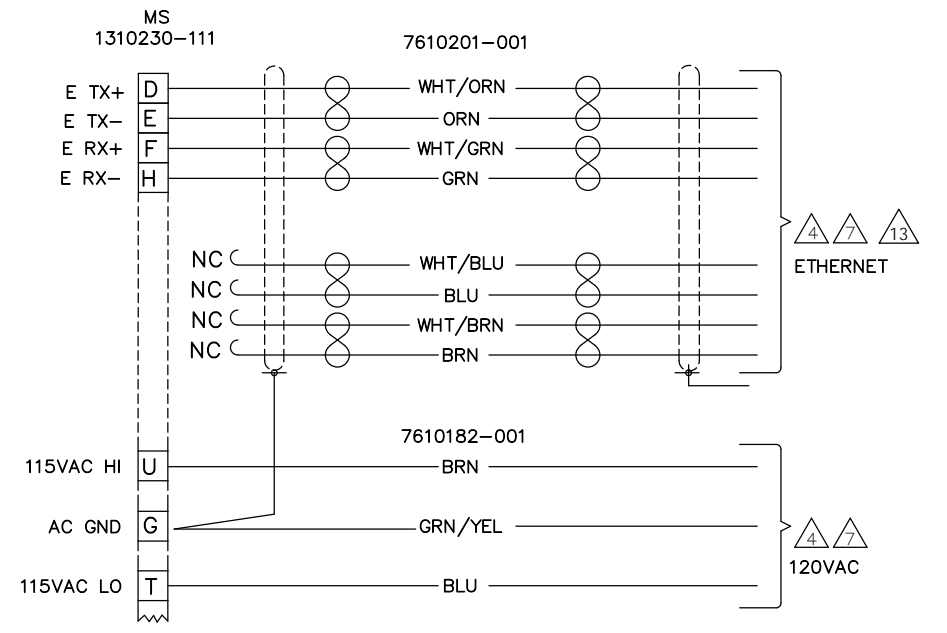
**PIGTAIL SPLICE**

|   |                   |                       |  |
|---|-------------------|-----------------------|--|
| UNLESS OTHERWISE SPECIFIED DIMENSIONS ARE IN INCHES DIMENSIONS IN ( ) ARE METRIC (mm) |                   | DRAFTER GE 07-24-2015 | <b>COHU</b><br><b>HD COSTAR™</b>             |
| TOLERANCES ARE  |                   | CHECKER               |  |
| INCHES  | MILLIMETERS       | ANGLES                | CABLE ASSEMBLY<br>4267                       |
| .00 ±.01  | (0.0) ±0.25       | ±0° 30'               |  |
| .000 ±.005  | (0.00) ±0.13      |                       |  |
| FINISH TOLERANCES   |                   |                       |  |
| INCHES  | MILLIMETERS       |                       | DO NOT SCALE DRAWING                         |
| .013 THRU +.004   | (.50) THRU +.10   |                       |  |
| .125 -.001  | (3.20) -.02       |                       |  |
| .126 THRU +.005   | (3.21) THRU +.13  |                       |  |
| .250 -.001  | (6.35) -.02       |                       |  |
| .251 THRU +.006   | (6.36) THRU +.16  |                       |  |
| .500 -.001  | (12.70) -.02      |                       |  |
| .501 THRU +.008   | (12.71) THRU +.20 |                       |  |
| .750 -.001  | (20.0) -.02       |                       |  |
| REF 7411980   | MATERIAL NOTED    | RELEASE               | SIZE CODE IDENT NO. REV<br>D 05157 7411277 B |
| DASH REQD NEXT ASSEMBLY   | FINISH NOTED      | SCALE: 1:1            |  |
| SHEET 1 OF 9  |                   |                       |  |

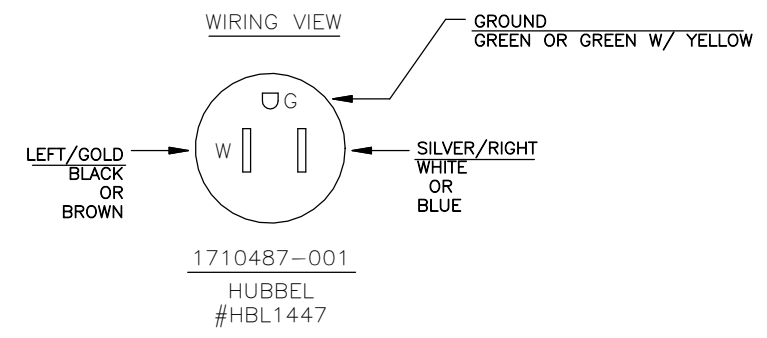
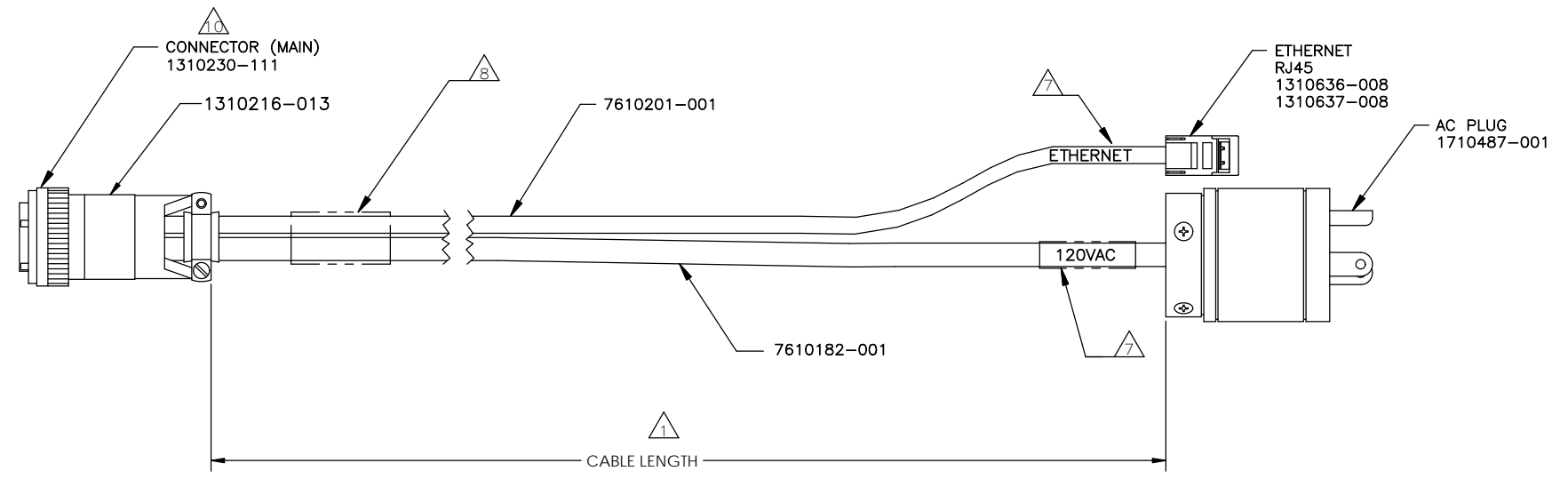


| CA 277 | CONNECTOR (MAIN) | ACCESSORY   |
|--------|------------------|-------------|
| A      | 1310230-111      | 1310216-013 |

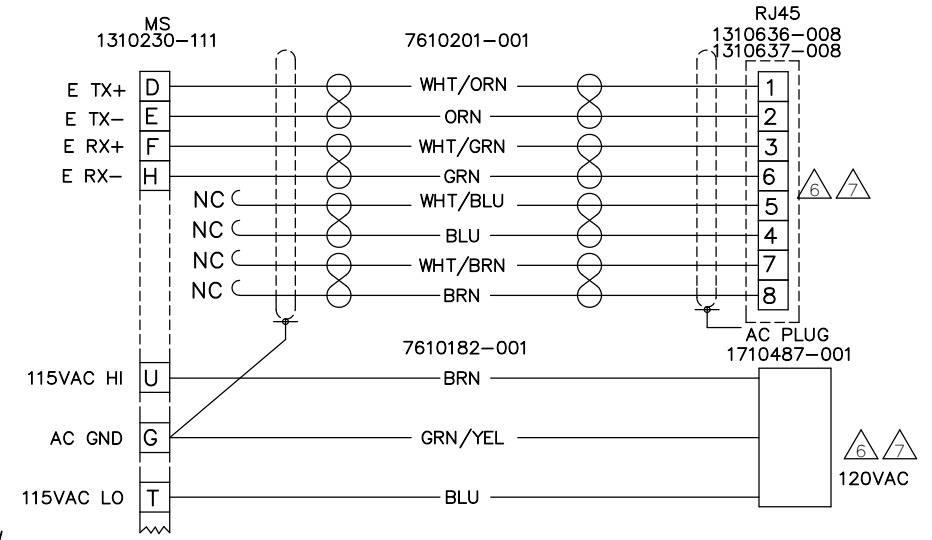
### CA277A



### SCHEMATIC



| CA 277 | CONNECTOR (MAIN) | ACCESSORY   | AC PLUG     | CONNECTOR RJ45 | RJ45 BOOT   |
|--------|------------------|-------------|-------------|----------------|-------------|
| B      | 1310230-111      | 1310216-013 | 1710487-001 | 1310636-008    | 1310637-008 |



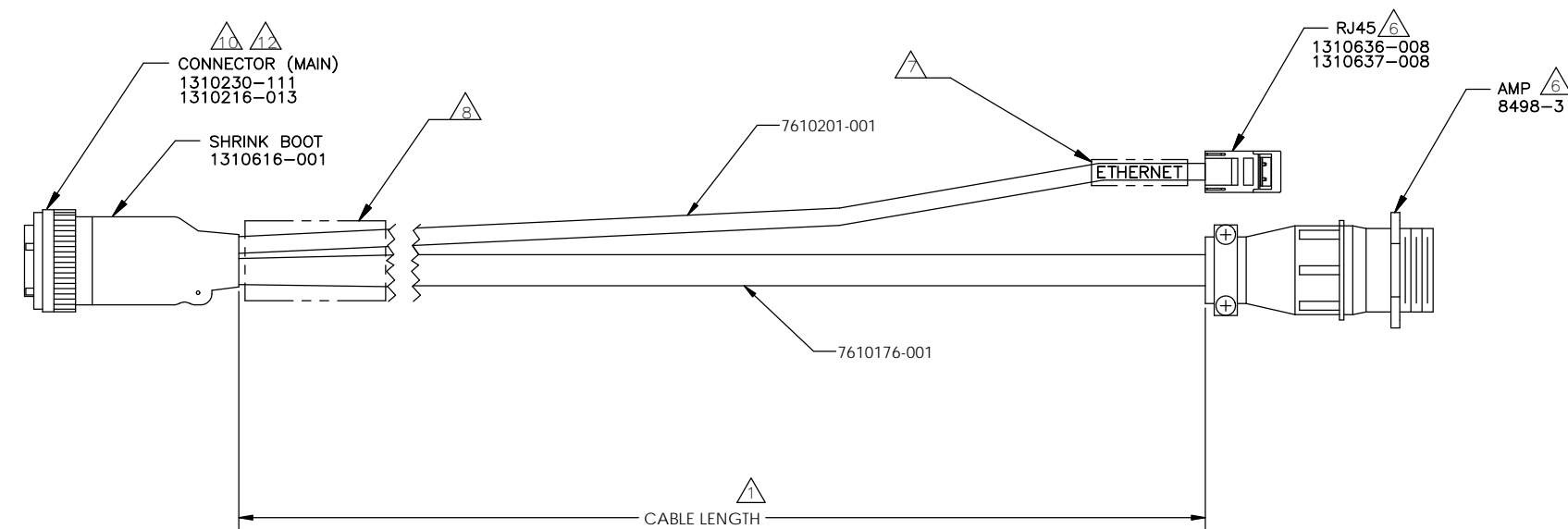
### SCHEMATIC

**COHU HD|COSTAR**

CABLE ASSEMBLY  
4267

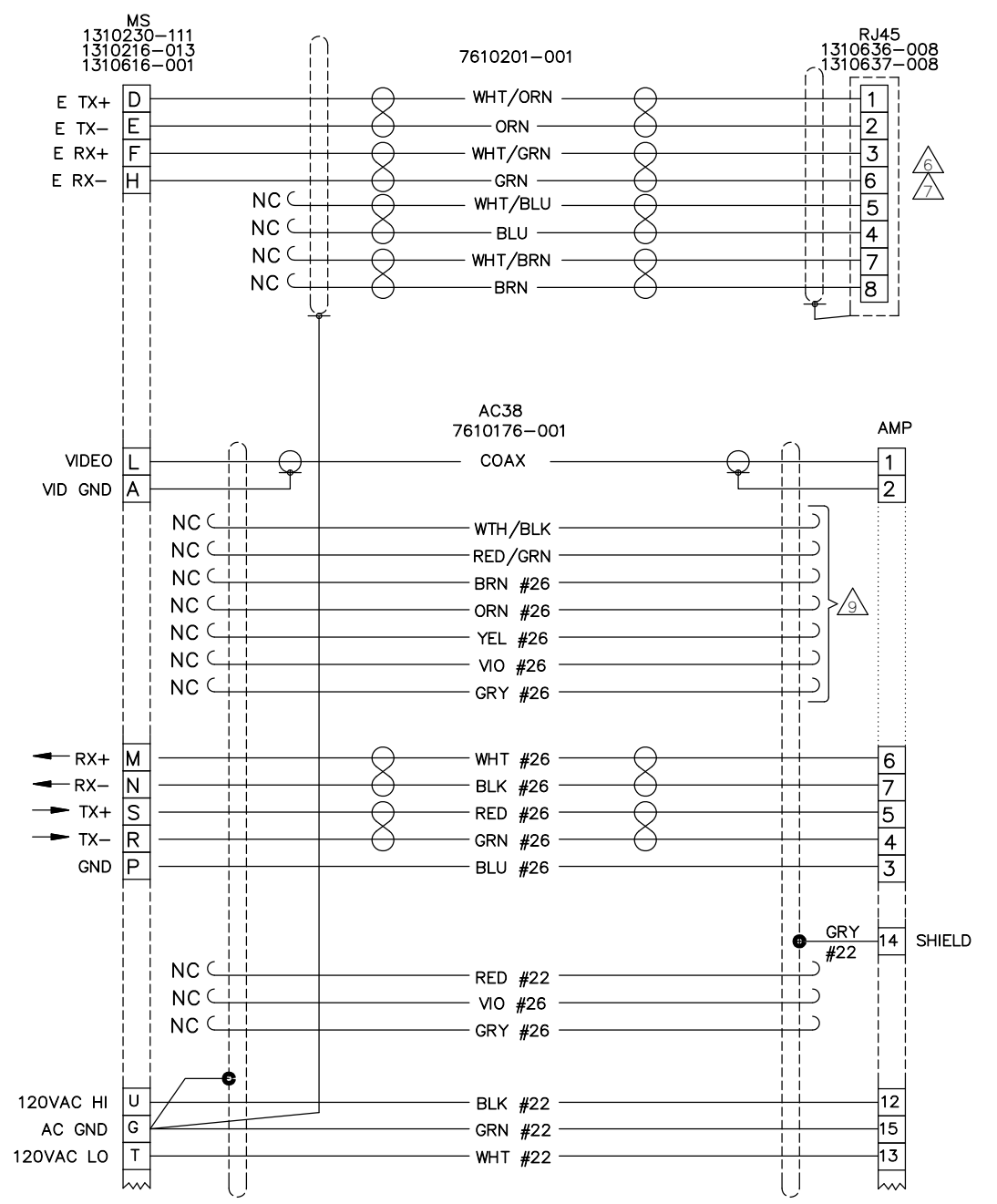
|            |                |              |
|------------|----------------|--------------|
| SIZE       | CODE IDENT NO. | REV          |
| D          | 05157          | 7411277 B    |
| SCALE: 1:1 |                | SHEET 2 OF 9 |

8 7 6 5 4 3 2 1



**CA277H**

| CA 277 | CONNECTOR (MAIN) | ACCESSORY   | ACCESSORY   | CONNECTOR RJ45 | RJ45 BOOT   | CONNECTOR (AMP) | ACCESSORY           | ACCESSORY  |
|--------|------------------|-------------|-------------|----------------|-------------|-----------------|---------------------|--|
| H      | 1310230-111      | 1310216-013 | 1310616-001 | 1310636-008    | 1310637-008 | 1310306-010     | 1310307-103 (CLAMP) | 1310308-001 (6 CONTACTS) (1,2,12,13,14,15)<br>1310308-007 (5 CONTACTS) (3,4,5,6,7) |

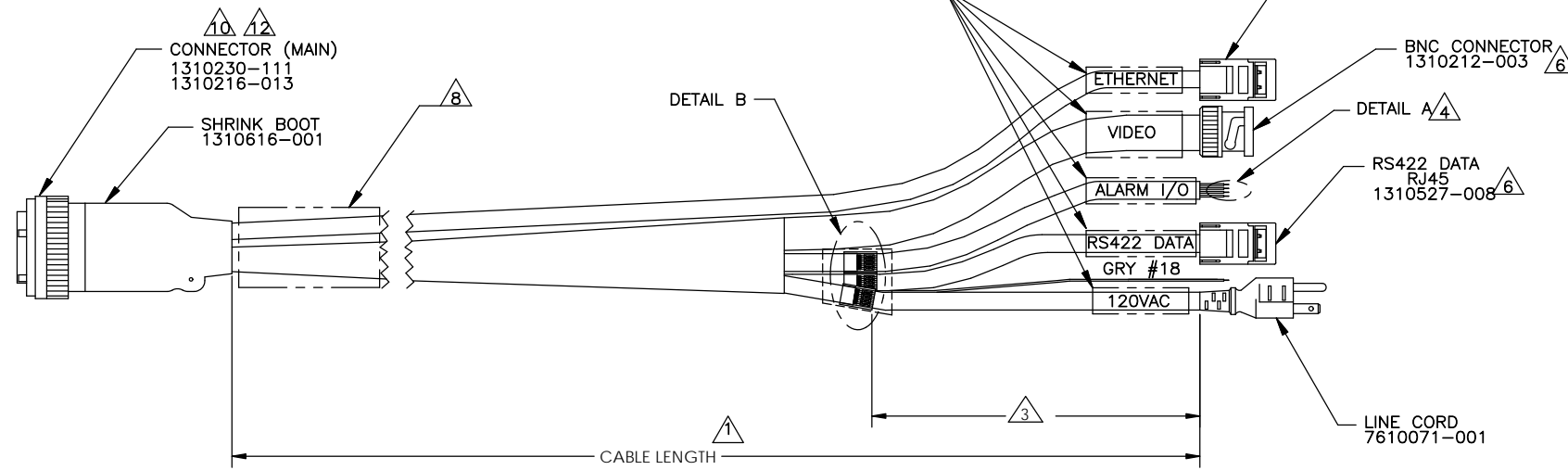


**SCHEMATIC**

**COHU HDICOSTAR**

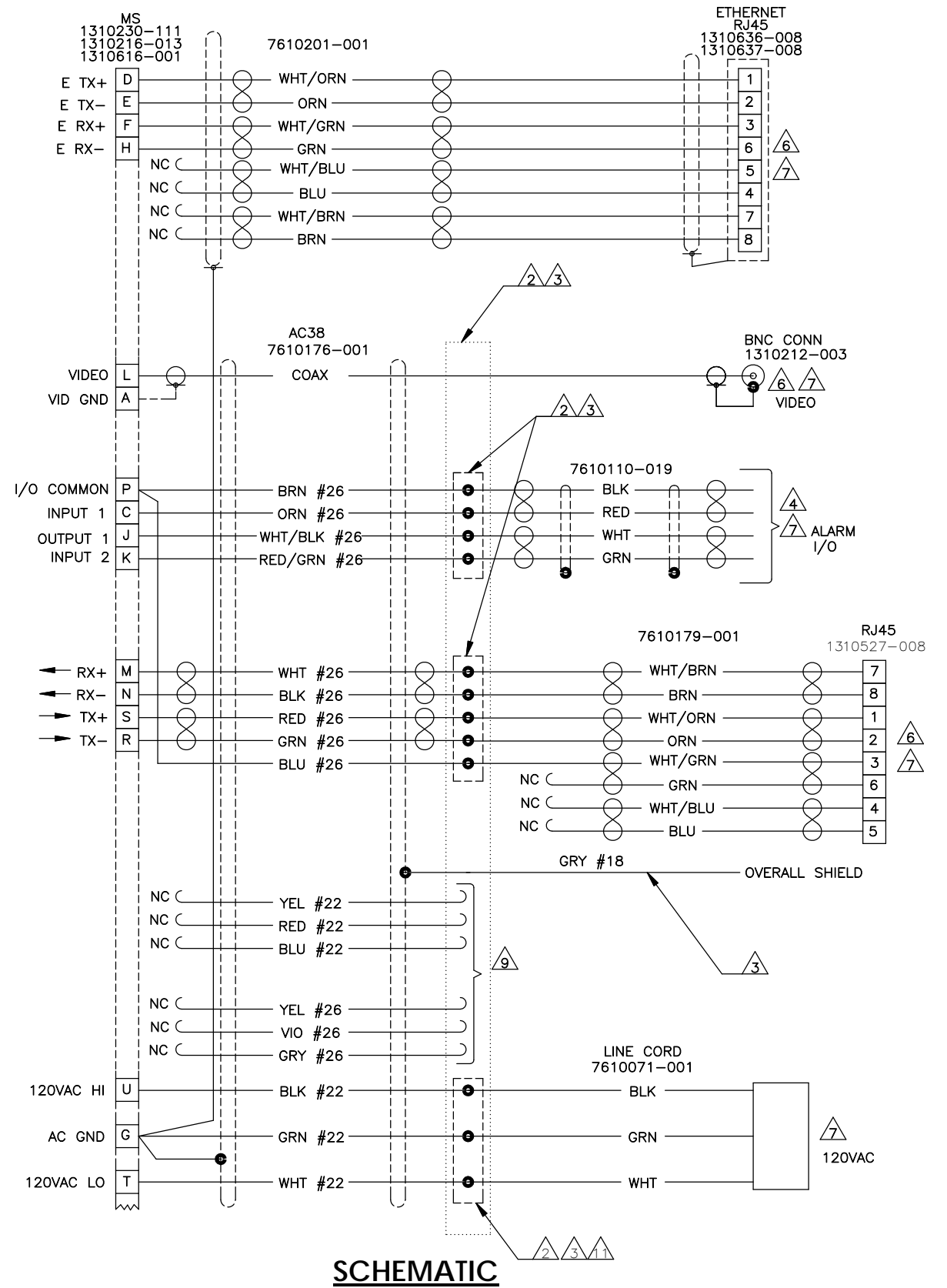
CABLE ASSEMBLY  
4267

|            |                |              |
|------------|----------------|--------------|
| SIZE       | CODE IDENT NO. | REV          |
| D          | 05157          | 7411277 B    |
| SCALE: 1:1 |                | SHEET 3 OF 9 |



# CA277M

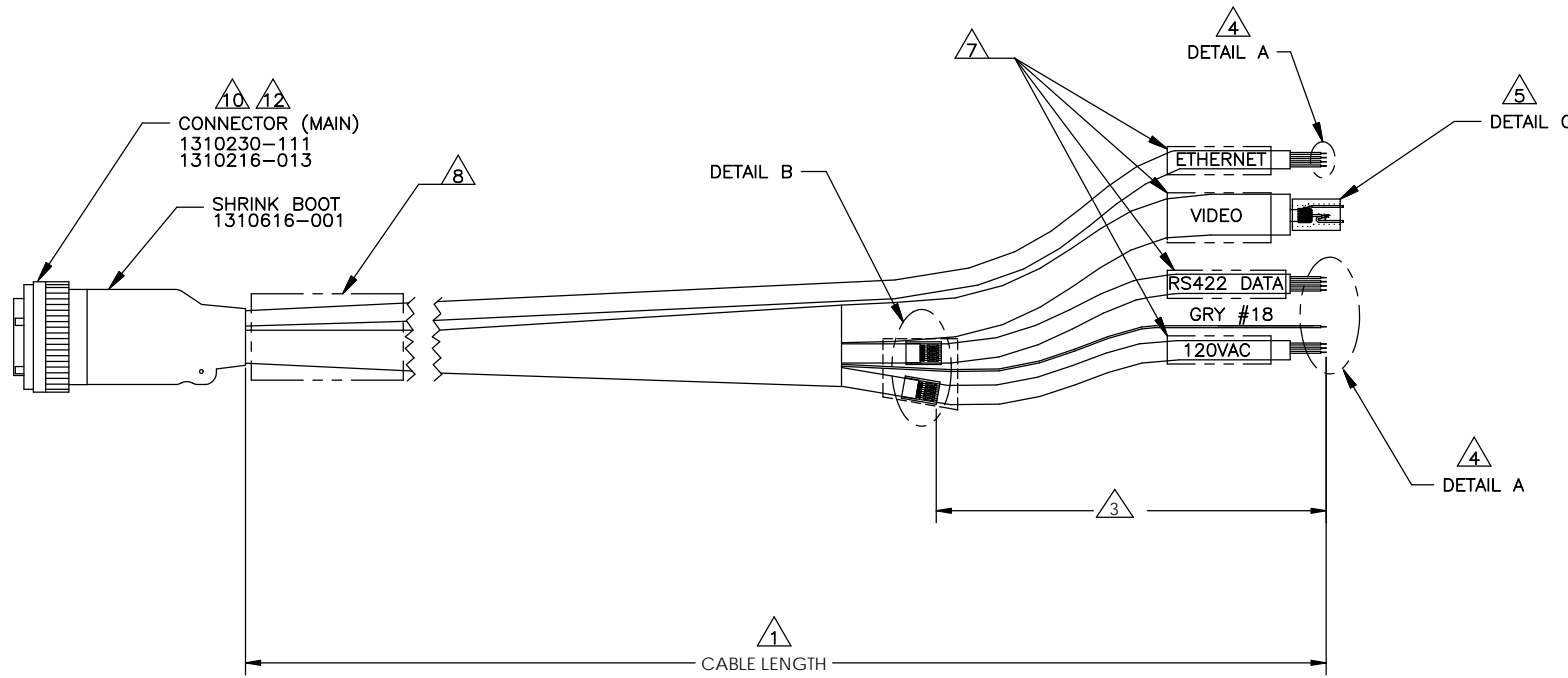
| CA 277 | CONNECTOR (MAIN)           | ACCESSORY                  | ACCESSORY   | CONNECTOR (BNC) | CONNECTOR RJ45 | CONNECTOR RJ45             | LINE CORD   |
|--------|----------------------------|----------------------------|-------------|-----------------|----------------|----------------------------|-------------|
| M      | 1310230-111<br>1310216-013 | 1310216-013<br>1310616-001 | 1310616-001 | 1310212-003     | 1310527-008    | 1310636-008<br>1310637-008 | 7610071-001 |



**COHU HDICOSTAR**

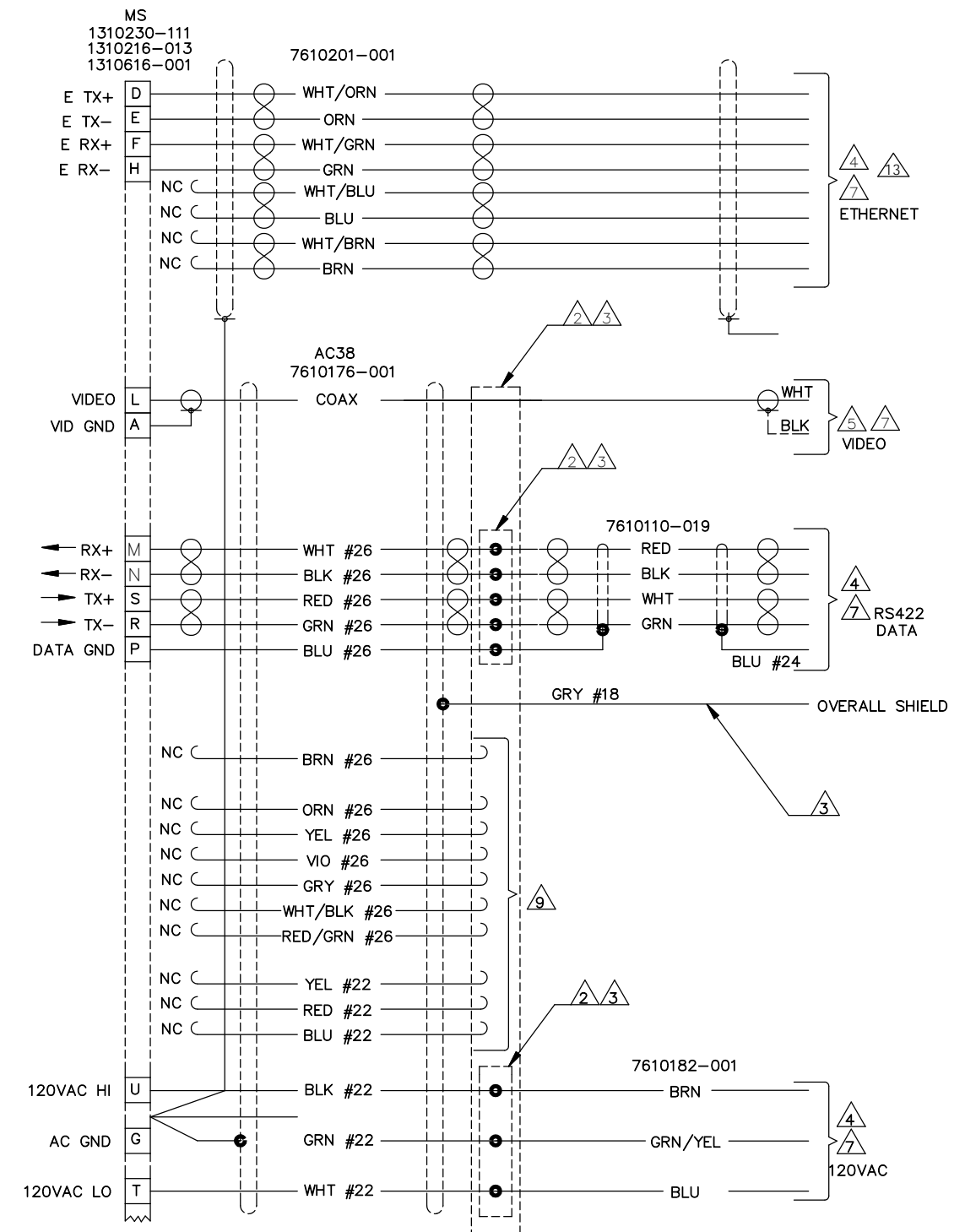
CABLE ASSEMBLY  
4267

|            |                         |              |          |
|------------|-------------------------|--------------|----------|
| SIZE<br>D  | CODE IDENT NO.<br>05157 | 7411277      | REV<br>B |
| SCALE: 1:1 |                         | SHEET 4 OF 9 |          |



# CA277P

| CA 277 | CONNECTOR (MAIN) | ACCESSORY   | ACCESSORY   |
|--------|------------------|-------------|-------------|
| P      | 1310230-111      | 1310216-013 | 1310616-001 |

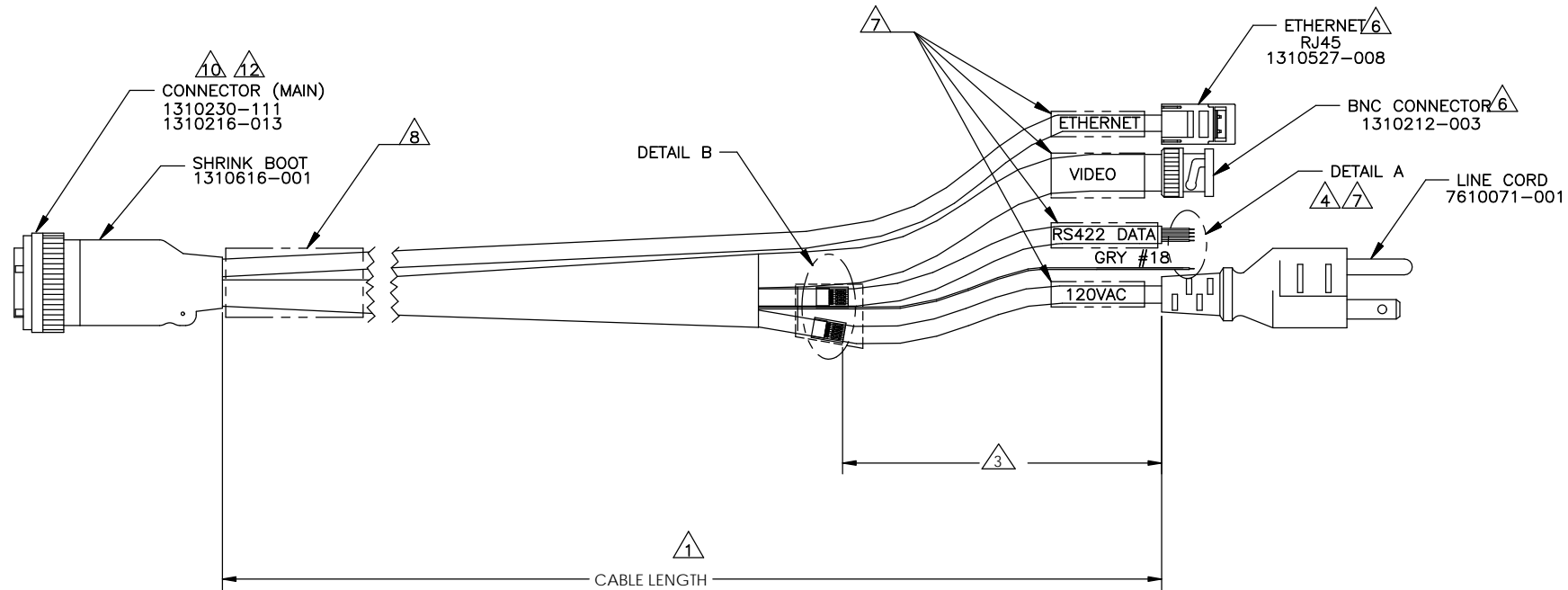


# SCHEMATIC

**COHU HD COSTAR**

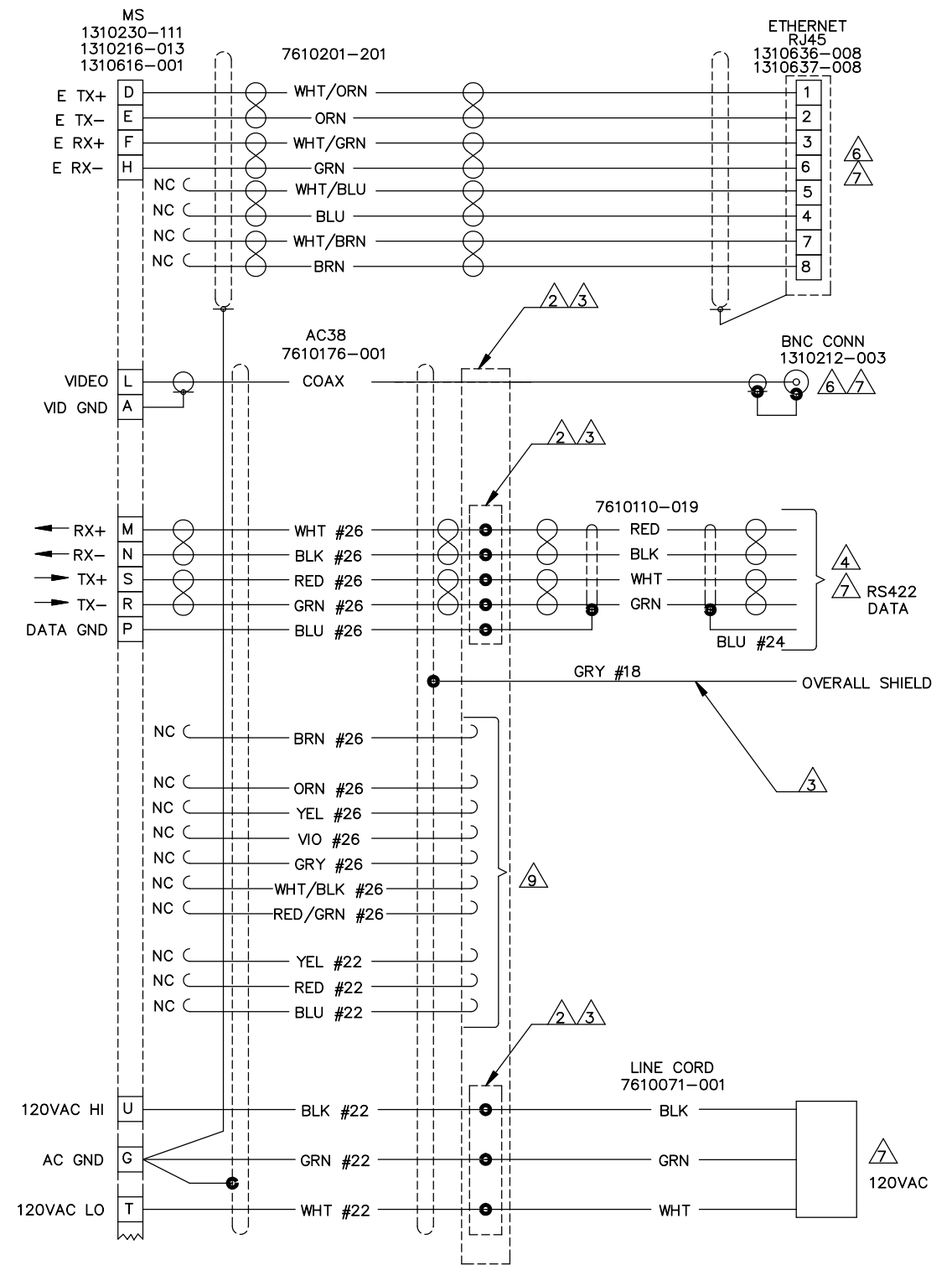
CABLE ASSEMBLY  
4267

|            |                         |              |          |
|------------|-------------------------|--------------|----------|
| SIZE<br>D  | CODE IDENT NO.<br>05157 | 7411277      | REV<br>B |
| SCALE: 1:1 |                         | SHEET 5 OF 9 |          |



**CA277Q**

| CA 277 | CONNECTOR (MAIN) | ACCESSORY   | ACCESSORY   | CONNECTOR / BOOT RJ-45     | CONNECTOR (BNC) | LINE CORD   |
|--------|------------------|-------------|-------------|----------------------------|-----------------|-------------|
| Q      | 1310230-111      | 1310216-013 | 1310616-001 | 1310636-008<br>1310637-008 | 1310212-003     | 7610071-001 |



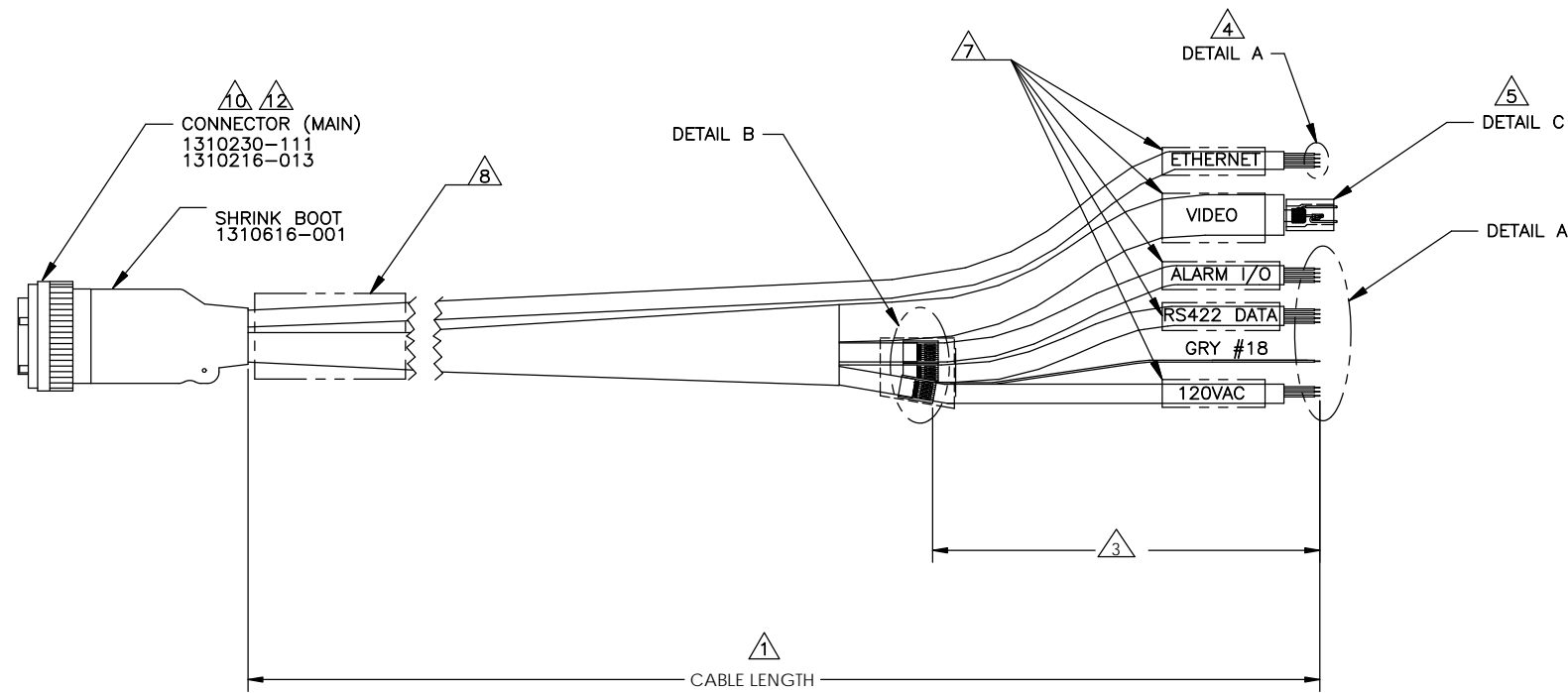
**SCHMATIC**

**COHU HD|COSTAR**

CABLE ASSEMBLY  
4267

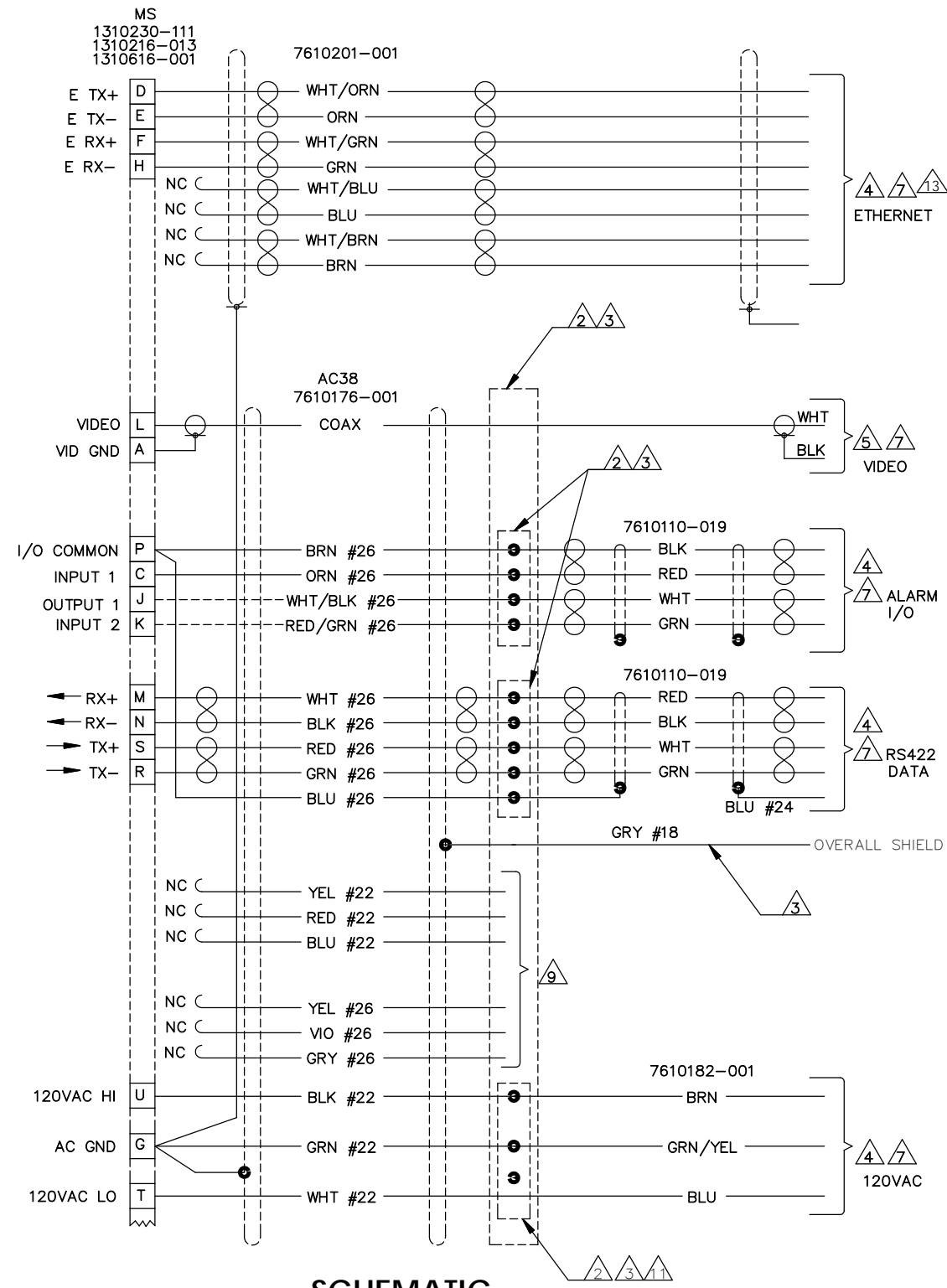
|      |                |     |
|------|----------------|-----|
| SIZE | CODE IDENT NO. | REV |
| D    | 05157          | B   |

SCALE: 1:1 SHEET 6 OF 9



**CA277R**

| CA  | CONNECTOR (MAIN) | ACCESSORY   | ACCESSORY   |
|-----|------------------|-------------|-------------|
| 277 | 1310230-111      | 1310216-013 | 1310616-001 |



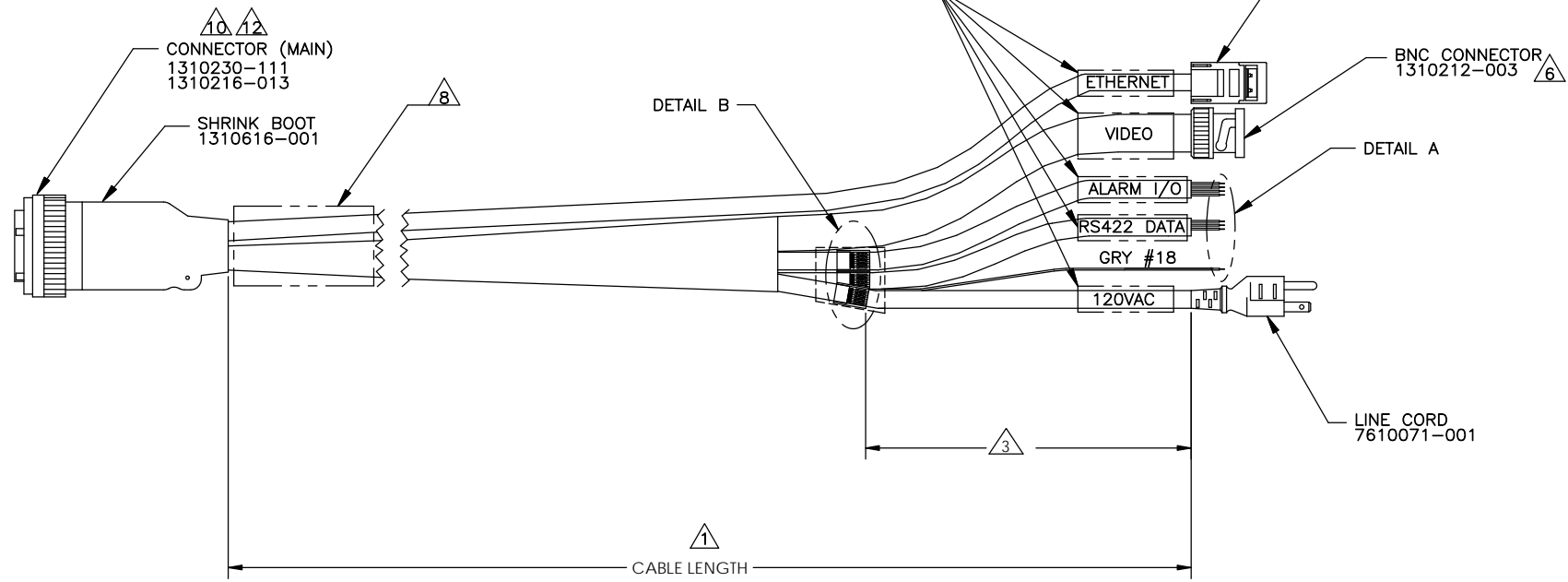
**COHU**  
**HD|COSTAR**

CABLE ASSEMBLY  
4267

|      |                |     |
|------|----------------|-----|
| SIZE | CODE IDENT NO. | REV |
| D    | 05157          | B   |

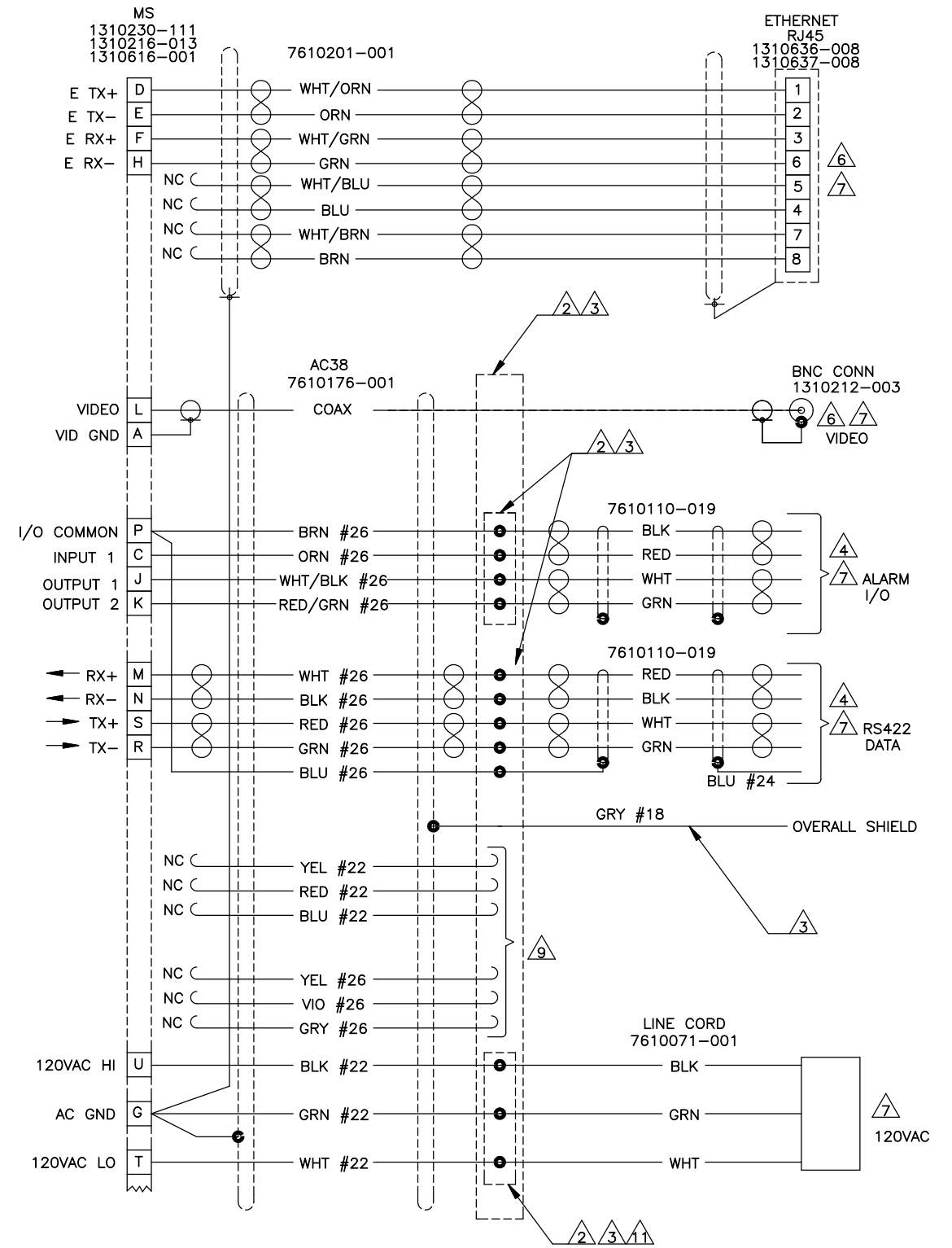
SCALE: 1:1

SHEET 7 OF 9



CA277S

| CA 277 | CONNECTOR (MAIN) | ACCESSORY   | ACCESSORY   | CONNECTOR / BOOT RJ45      | CONNECTOR (BNC) | LINE CORD   |
|--------|------------------|-------------|-------------|----------------------------|-----------------|-------------|
| S      | 1310230-111      | 1310216-013 | 1310616-001 | 1310636-008<br>1310637-008 | 1310212-003     | 7610071-001 |



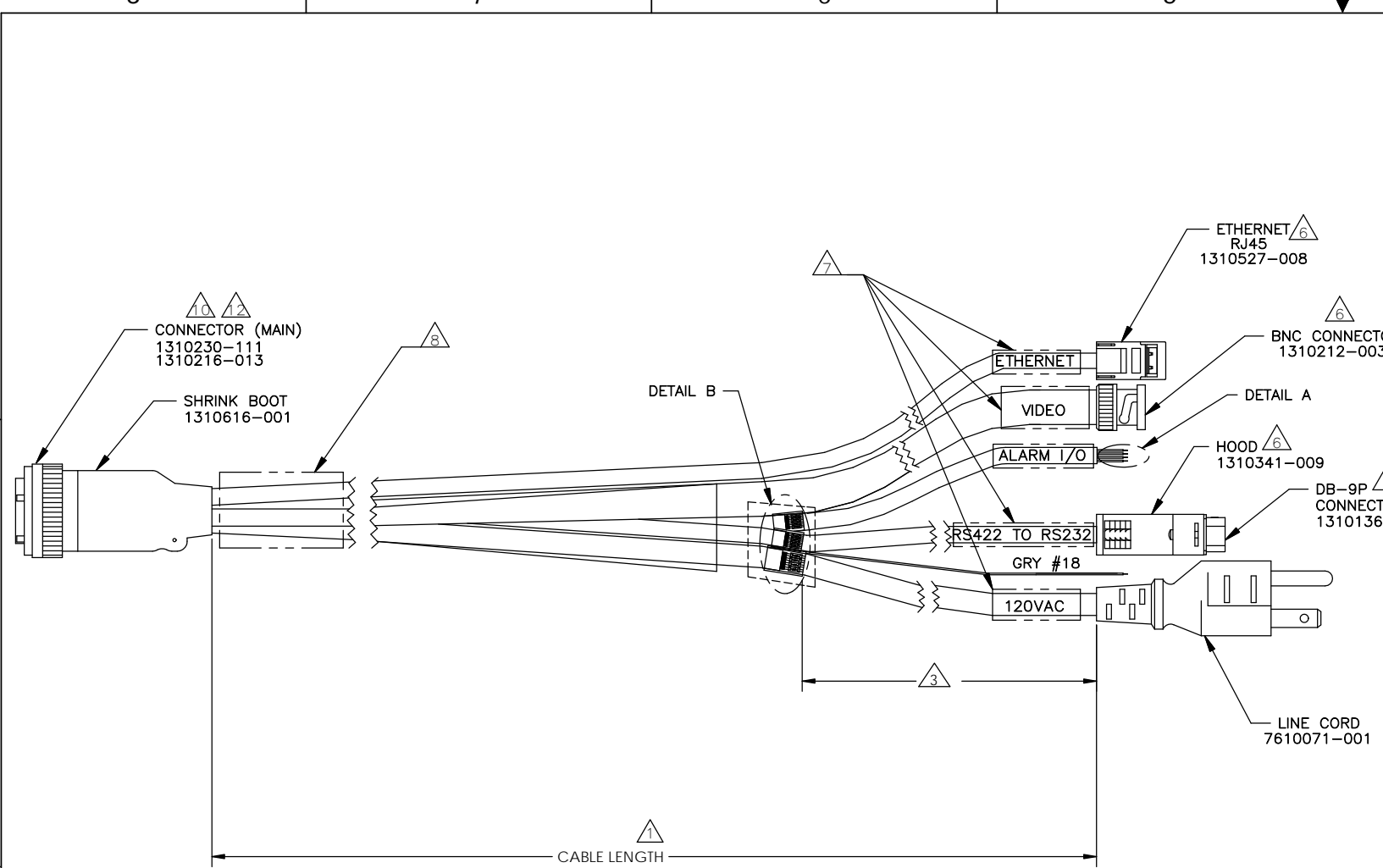
**SCHMATIC**

**COHU**  
**HD|COSTAR**

CABLE ASSEMBLY  
4267

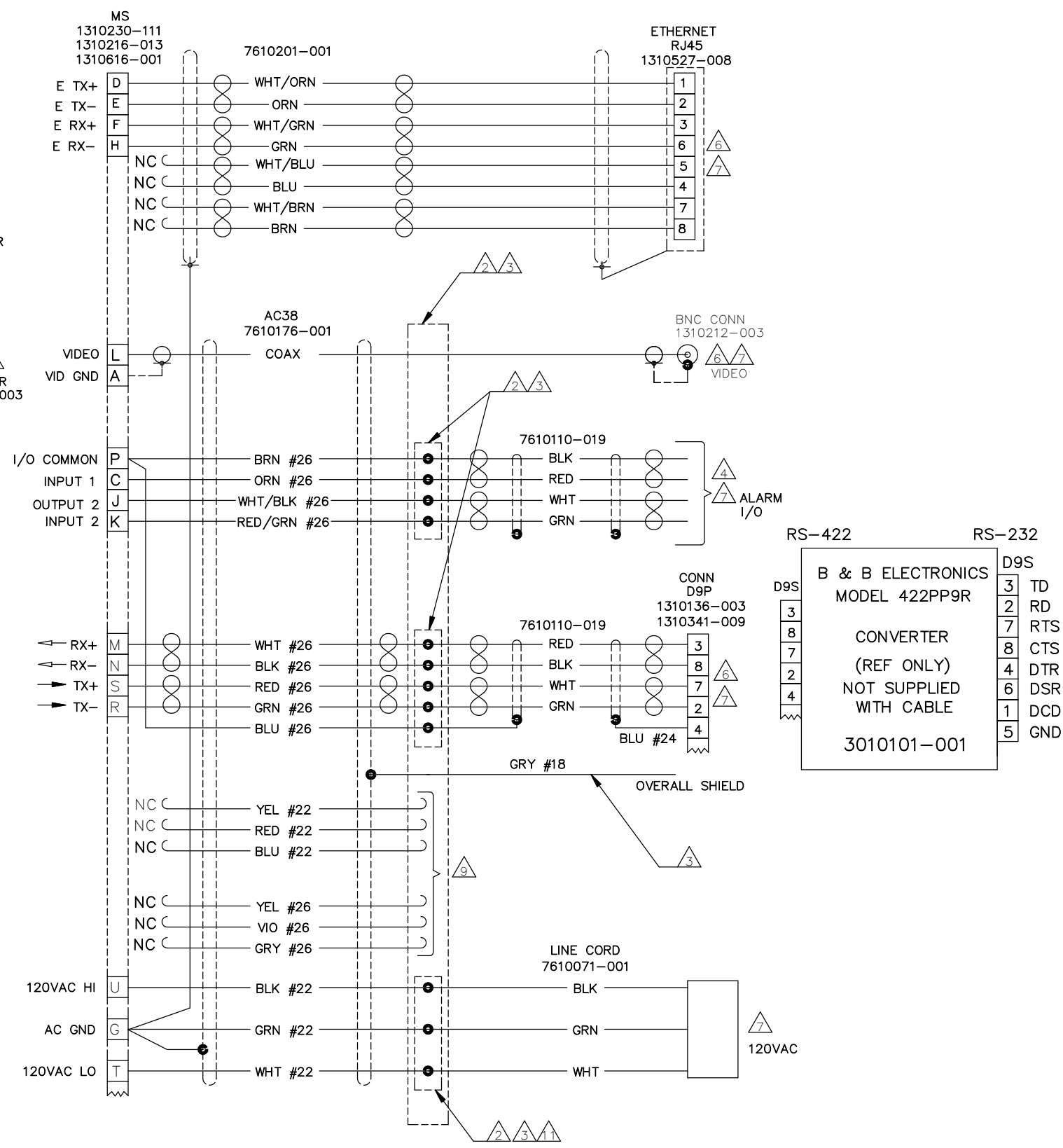
|            |                         |              |          |
|------------|-------------------------|--------------|----------|
| SIZE<br>D  | CODE IDENT NO.<br>05157 | 7411277      | REV<br>B |
| SCALE: 1:1 |                         | SHEET 8 OF 9 |          |





**CA277I**

| CA 277 | CONNECTOR (MAIN) | ACCESSORY   | ACCESSORY   | CONNECTOR (BNC) | CONNECTOR / BOOT RJ45      | LINE CORD   | CONNECTOR D9P | ACCESSORY                         |
|--------|------------------|-------------|-------------|-----------------|----------------------------|-------------|---------------|-----------------------------------|
| T      | 1310230-111      | 1310216-013 | 1310616-001 | 1310212-003     | 1310636-008<br>1310637-008 | 7610071-001 | 1310136-003   | HOOD<br>1310341-009<br>(STRAIGHT) |



**SCHMATIC**

**COHU**  
**HD|COSTAR**

CABLE ASSEMBLY  
4267

|            |                         |              |          |
|------------|-------------------------|--------------|----------|
| SIZE<br>D  | CODE IDENT NO.<br>05157 | 7411277      | REV<br>B |
| SCALE: 1:1 |                         | SHEET 9 OF 9 |          |