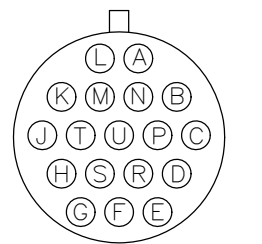
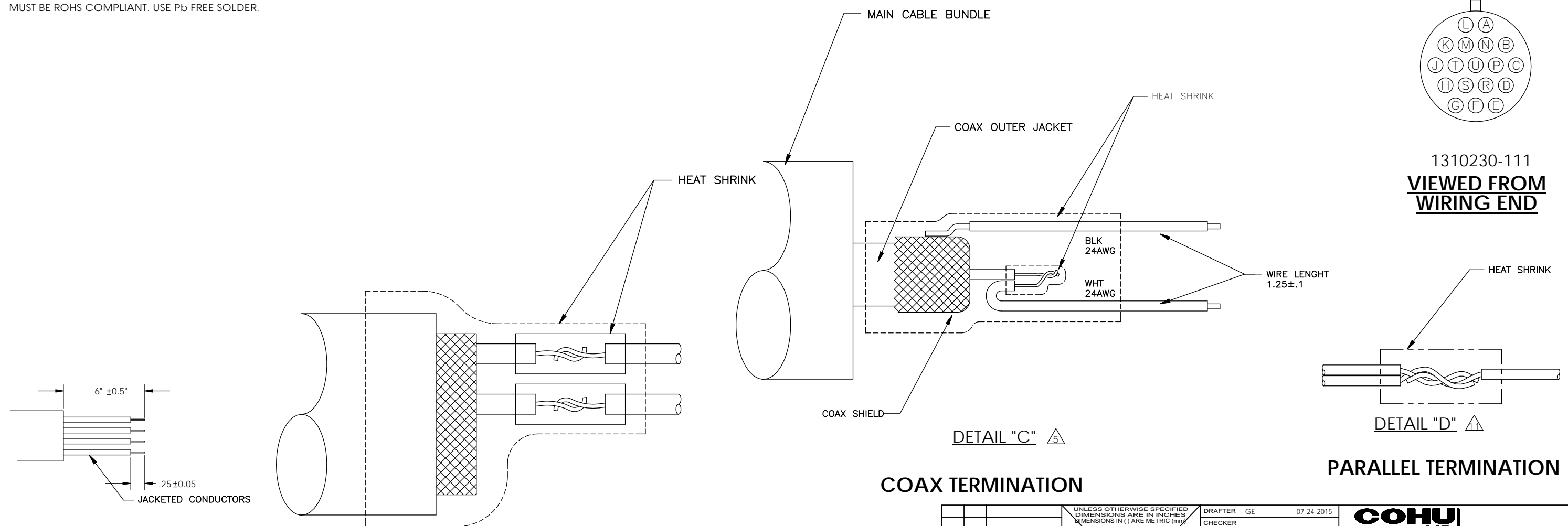


NOTES: UNLESS OTHERWISE SPECIFIED

- 1 MAX. CABLE LENGTH: 328 FEET FOR 120VAC. MINIMUM CABLE LENGTH IS 2 FEET.
- 2 INSTALL SHRINK TUBING OVER SPLICED SOLDER JOINTS AS SHOWN IN DETAILS B & D.
- 3 FOR CABLE LENGTHS GREATER THAN 10 FEET: STRIP OUTER JACKET OF CABLE BUNDLE BACK 6 FEET. FOR CABLE LENGTHS LESS THAN 10 FEET: STRIP OUTER JACKET OF CABLE 1/2 OF SPECIFIED LENGTH. FOR ALL CABLE S TERMINATE WIRES AS INDICATED BY SCHEMATIC.
- 4 STRIP OUTER JACKET BACK 6" ±.5". STRIP INDIVIDUAL CONDUCTORS .25"±.05" AND TIN WIRE AS REQUIRED BY SCHEMATIC. UNUSED WIRE TO BE CUT FLUSH WITH OUTER JACKET AND COVERED BY HEAT SHRINK IF REQUIRED. SEE DETAIL A.
- 5 TERMINATE COAX PER DETAIL C.
- 6 INSTALL CONNECTORS PER MFR. INSTRUCTIONS.
- 7 IDENTIFY WITH NOMENCLATURE INDICATED APPROX. WHERE SHOWN.
- 8 IDENTIFY WITH THE 'CAxxxY' CABLE NUMBER AS INDICATED IN THIS DRAWING, THE REVISION OF THIS DRAWING, AND THE SPECIFIED CABLE LENGTH APPROX. WHERE SHOWN.
- 9 UNUSED WIRE TO BE CUT FLUSH W/OUTER JACKET AND COVERED BY HEAT SHRINK.
- 10 POT MAIN CONNECTOR PER MM-81.
- 11 TERMINATE TWO PARALLEL CONDUCTORS INTO A SINGLE CONDUCTOR AS SHOWN.
- 12 DO NOT INSTALL THE STRAIN RELIEF CLAMP PARTS PROVIDED WITH THE CONNECTOR.
- 13. MUST BE ROHS COMPLIANT. USE Pb FREE SOLDER.

REVISIONS				
ZONE	REV.	DESCRIPTION	DATE	APPROVED
	A	INITIAL RELEASE ECO 032148	10/21/2015 RDL	RDL
	B	SH3 THRU SH9: ADDED POTTING SLEEVE ECO 032222 131026-013.	10/30/2015	MN



1310230-111  
**VIEWED FROM WIRING END**

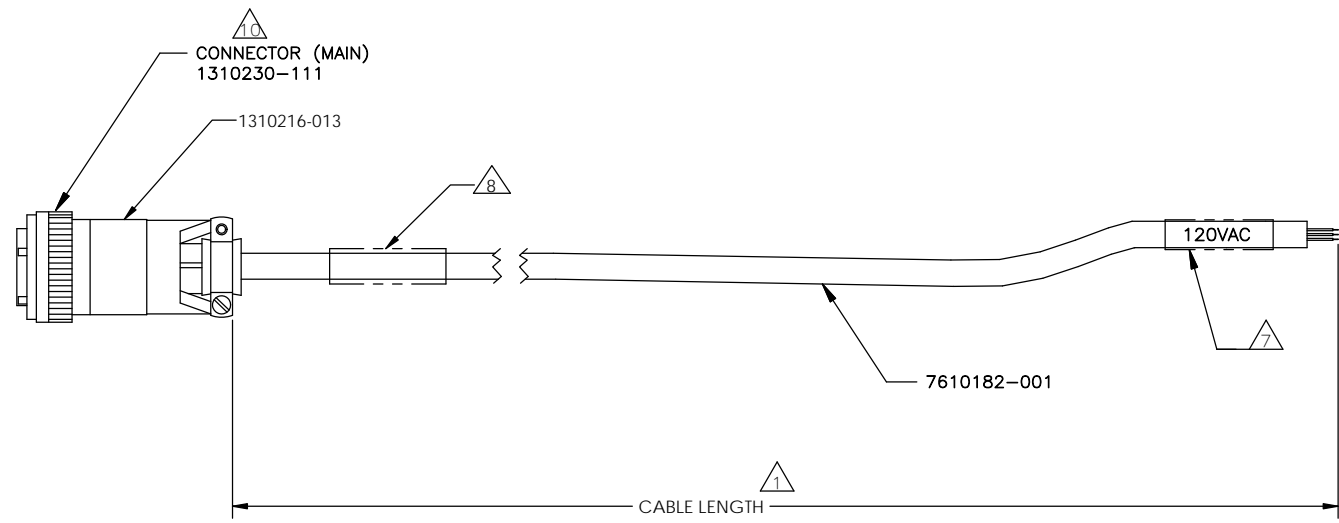
DETAIL "A" 4  
**WIRE TERMINATION**

DETAIL "B" 2  
**PIGTAIL SPLICE**

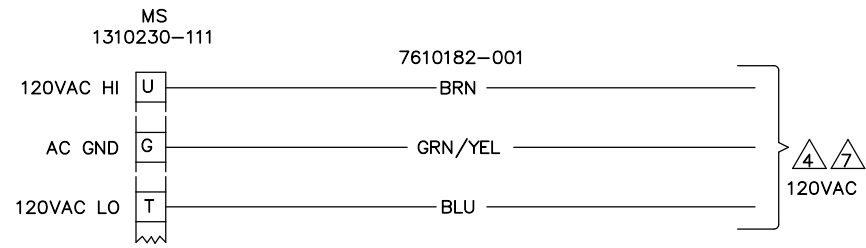
DETAIL "C" 5  
**COAX TERMINATION**

DETAIL "D" 11  
**PARALLEL TERMINATION**

UNLESS OTHERWISE SPECIFIED DIMENSIONS ARE IN INCHES DIMENSIONS IN ( ) ARE METRIC (mm)		DRAFTER GE 07-24-2015	<b>COHU HDICOSTAR™</b>
TOLERANCES ARE		CHECKER	
INCHES	MILLIMETERS	APPD	
.00 ±.01 .000 ±.005	(0.0) ± 0.25 (0.00) ± 0.13	APPD	
TOLERANCES		RELEASE	CABLE ASSEMBLY 4268
INCHES	MILLIMETERS	DO NOT SCALE DRAWING	
.013 THRU +.004 .125 -.001	(.50) THRU +.10 (3.20) -.02		SIZE CODE IDENT NO. <b>7411278</b> REV <b>B</b>
.126 THRU +.005 .250 -.001	(3.21) THRU +.13 (6.35) -.02		D 05157
.251 THRU +.006 .500 -.001	(6.36) THRU +.16 (12.70) -.02		SCALE: 1:1
.501 THRU +.008 .750 -.001	(12.71) THRU +.20 (20.0) -.02		SHEET 1 OF 9
REF 7411980	MATERIAL NOTED		
DASH REQD NEXT ASSEMBLY	FINISH NOTED		

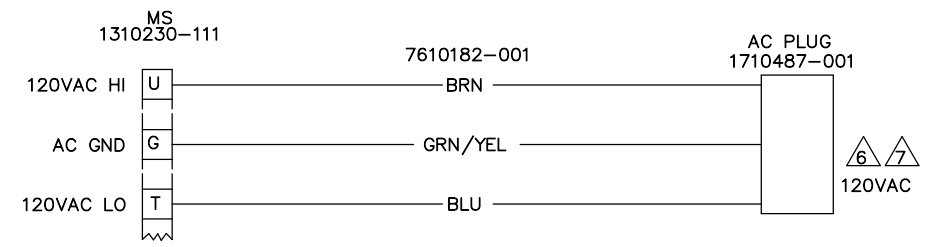
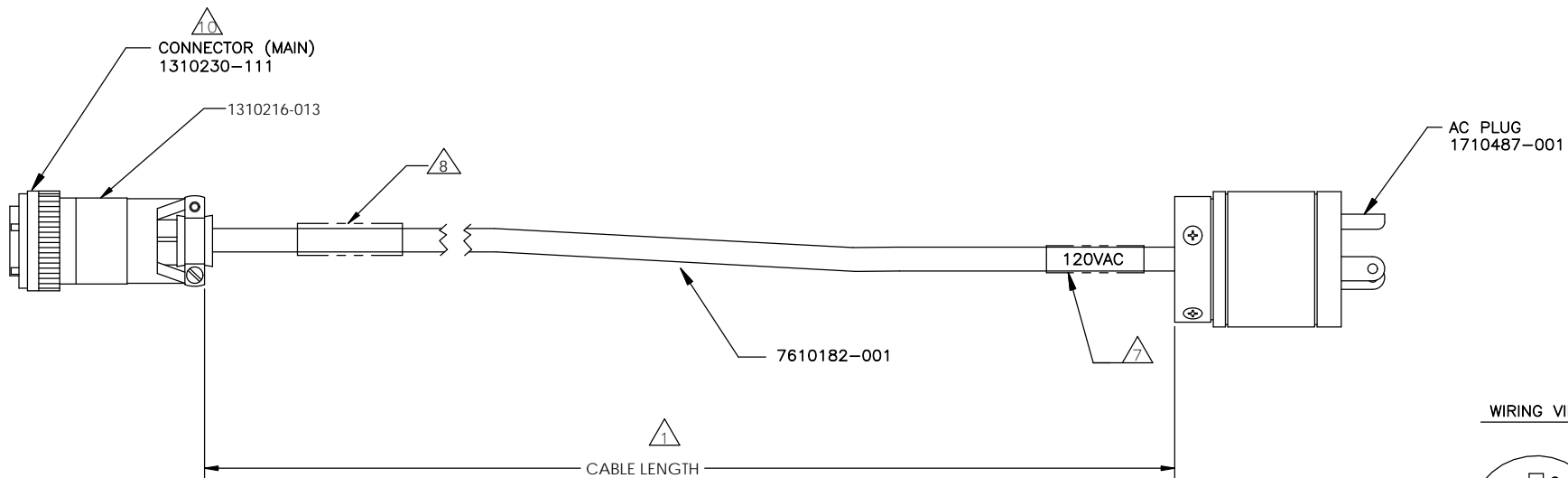


CA 278	CONNECTOR (MAIN)	ACCESSORY
A	1310230-111	1310216-013

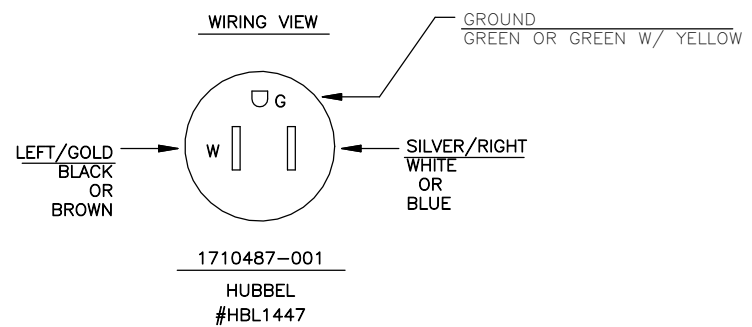


**SCHEMATIC**

**CA278A**



**SCHEMATIC**



**CA278B**

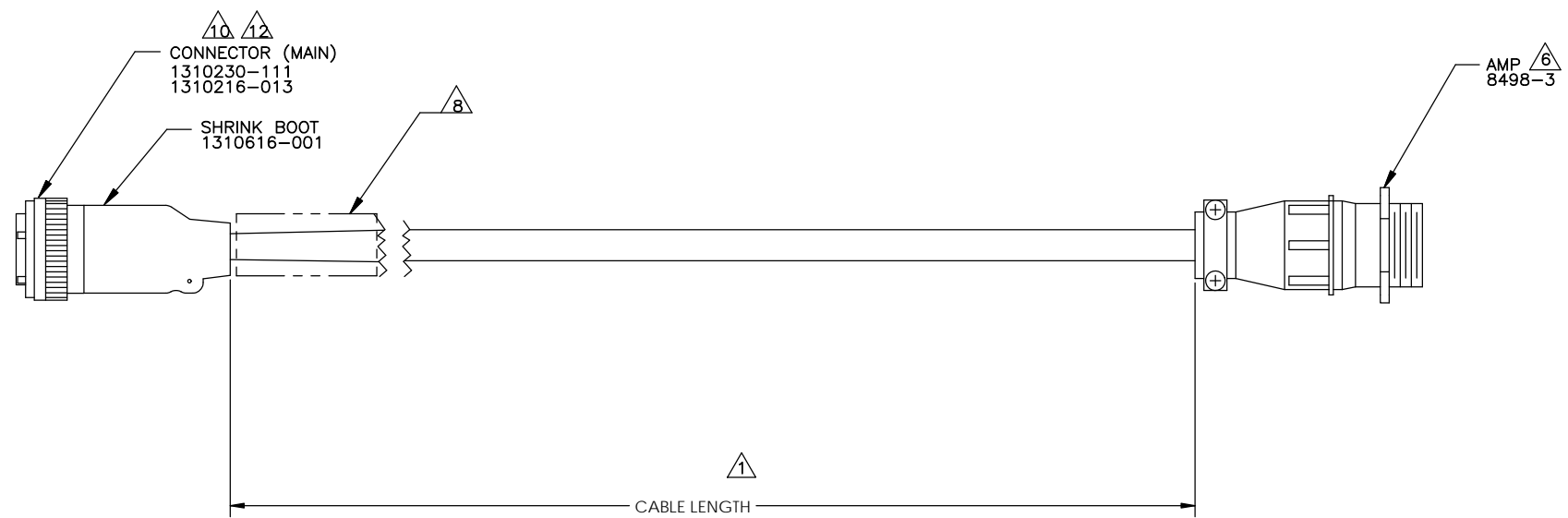
CA 278	CONNECTOR (MAIN)	ACCESSORY	AC PLUG
B	1310230-111	1310216-013	1710487-001

**COHU HD|COSTAR**

CABLE ASSEMBLY  
4268

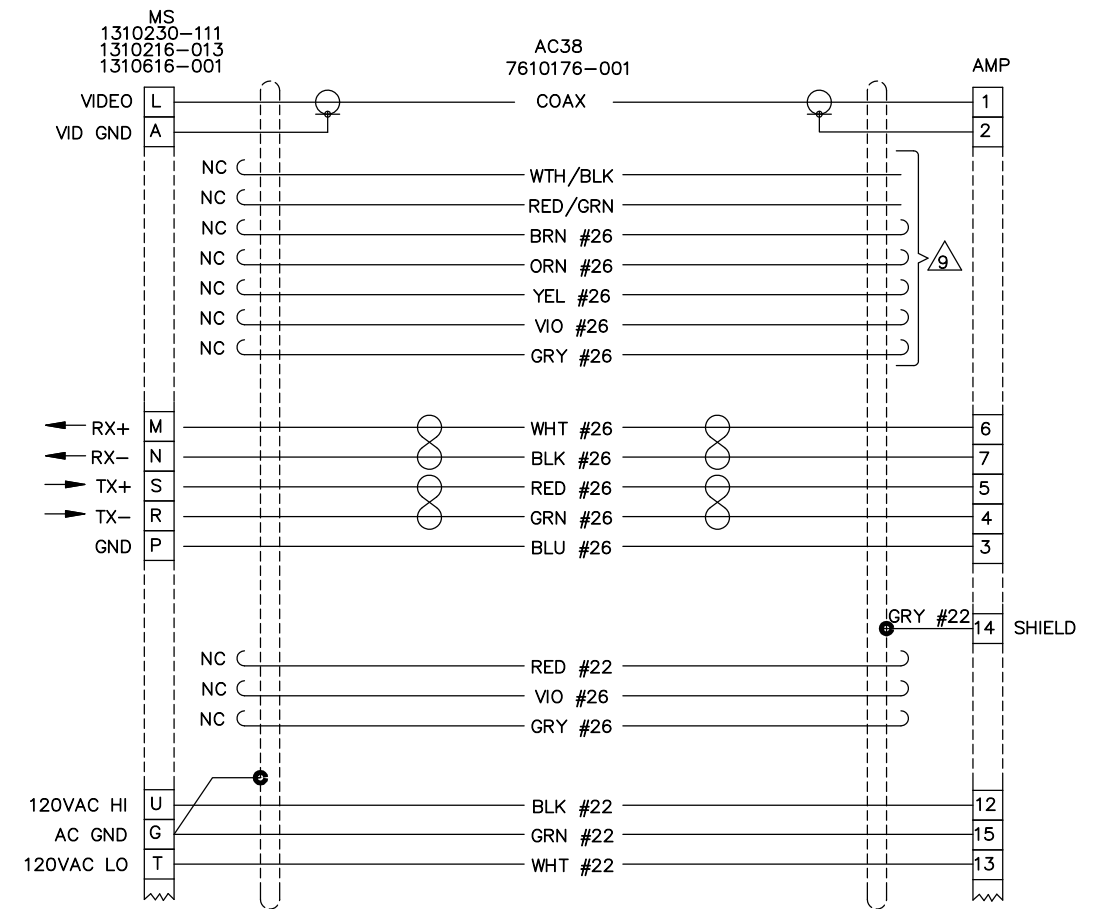
SIZE	CODE IDENT NO.	REV
D	05157	7411278 B
SCALE: 1:1		SHEET 2 OF 9

8 7 6 5 4 3 2 1



**CA278H**

CA 278	CONNECTOR (MAIN)	ACCESSORY	ACCESSORY	CONNECTOR (AMP)	ACCESSORY	ACCESSORY
H	1310230-111	1310216-013	1310616-001	1310306-010	1310307-103 (CLAMP)	1310308-001 (6 CONTACTS) (1,2,12,13,14,15) 1310308-007 (5 CONTACTS) (3,4,5,6,7)



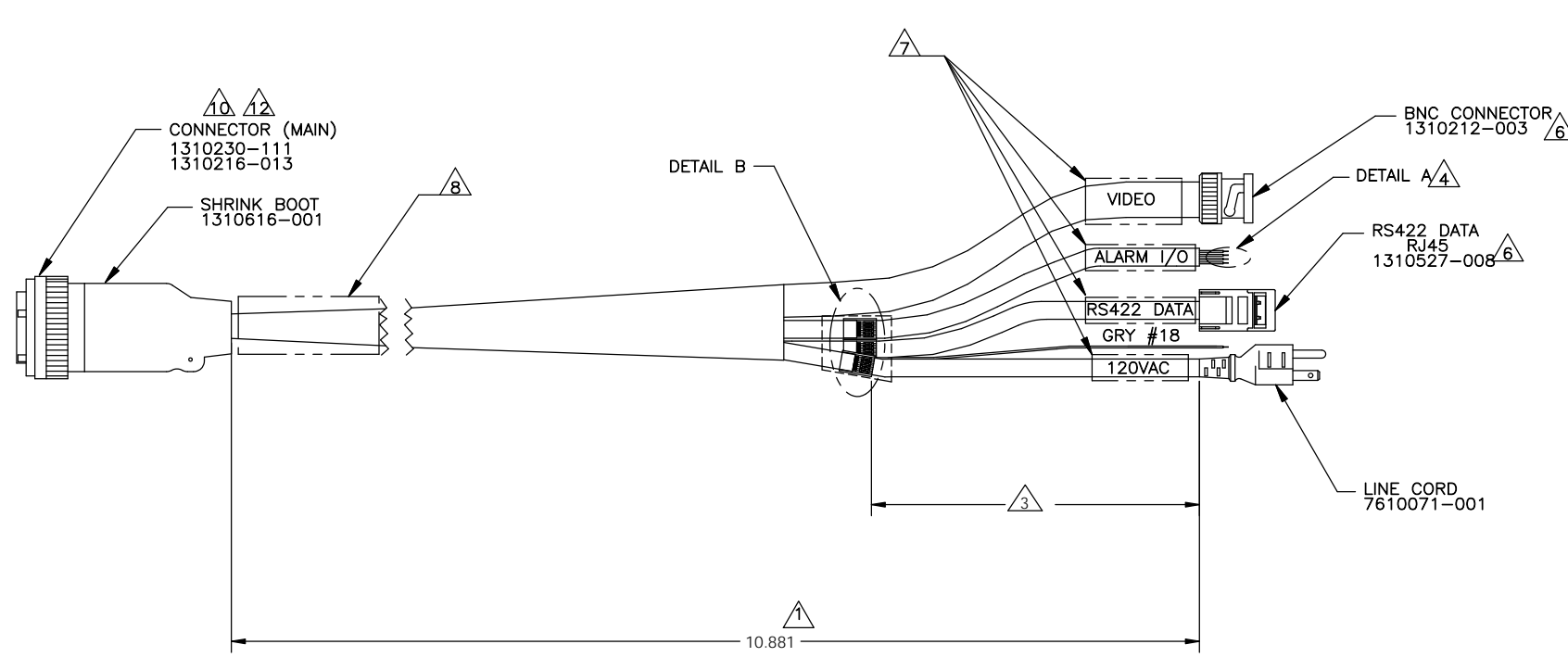
**SCHEMATIC**

**COHU HD|COSTAR**

CABLE ASSEMBLY  
4268

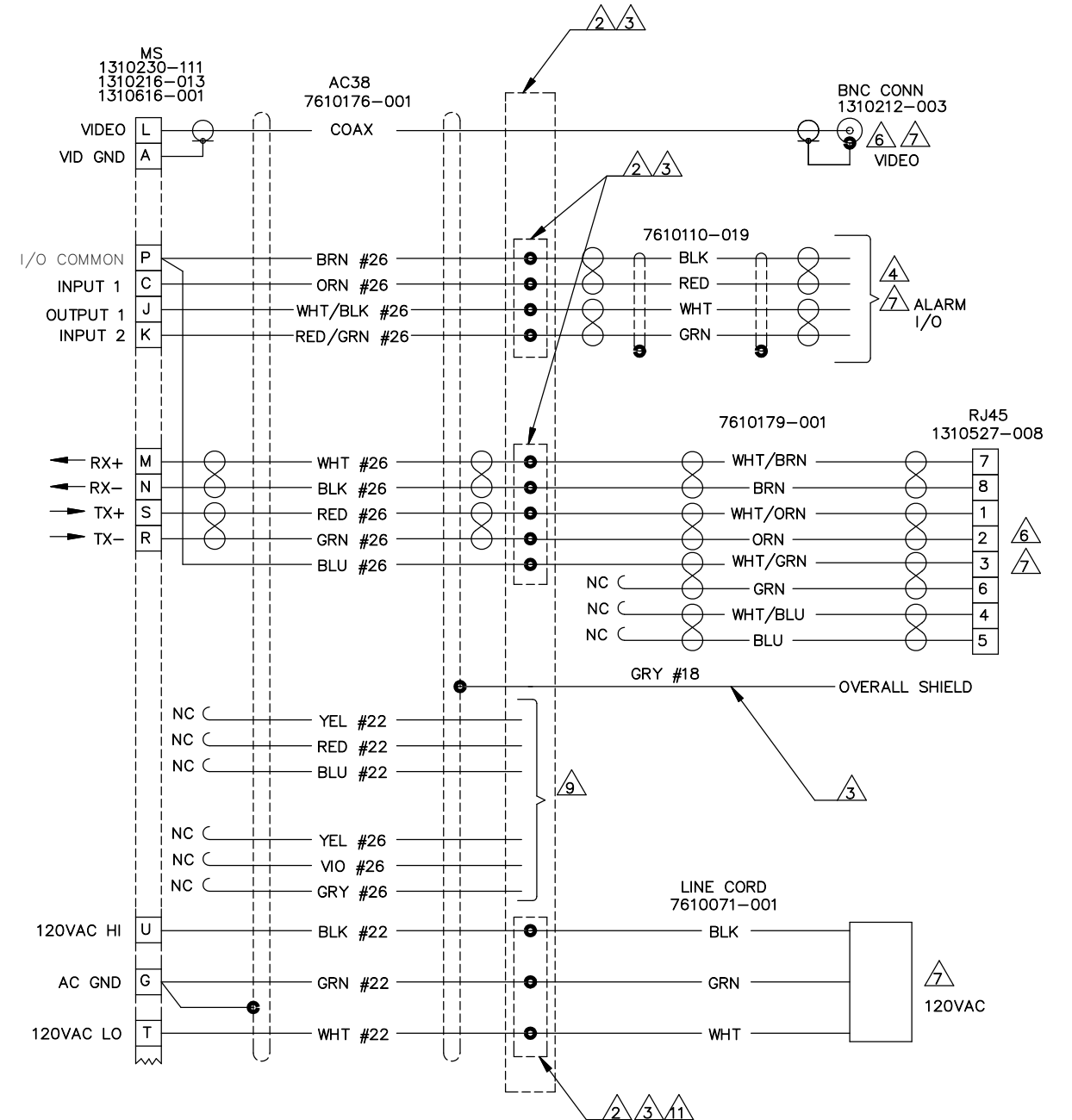
SIZE	CODE IDENT NO.	7411278	REV
D	05157		B

SCALE: 1:1 SHEET 3 OF 9



**CA278M**

CA 278	CONNECTOR (MAIN)	ACCESSORY	ACCESSORY	CONNECTOR (BNC)	CONNECTOR RJ45	LINE CORD
M	1310230-111	1310216-013	1310616-001	1310212-003	1310527-008	7610071-001



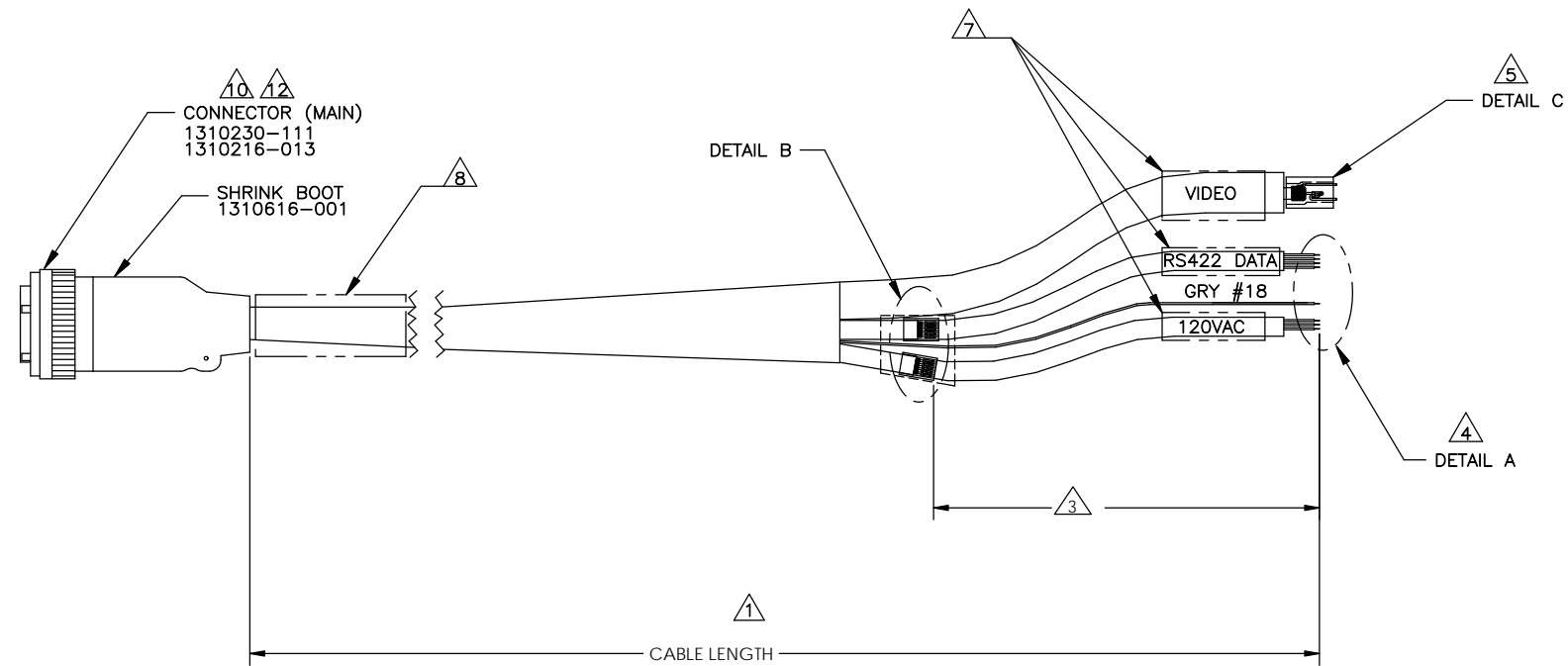
**SCHMATIC**

**COHU**  
**HD|COSTAR**

CABLE ASSEMBLY  
4268

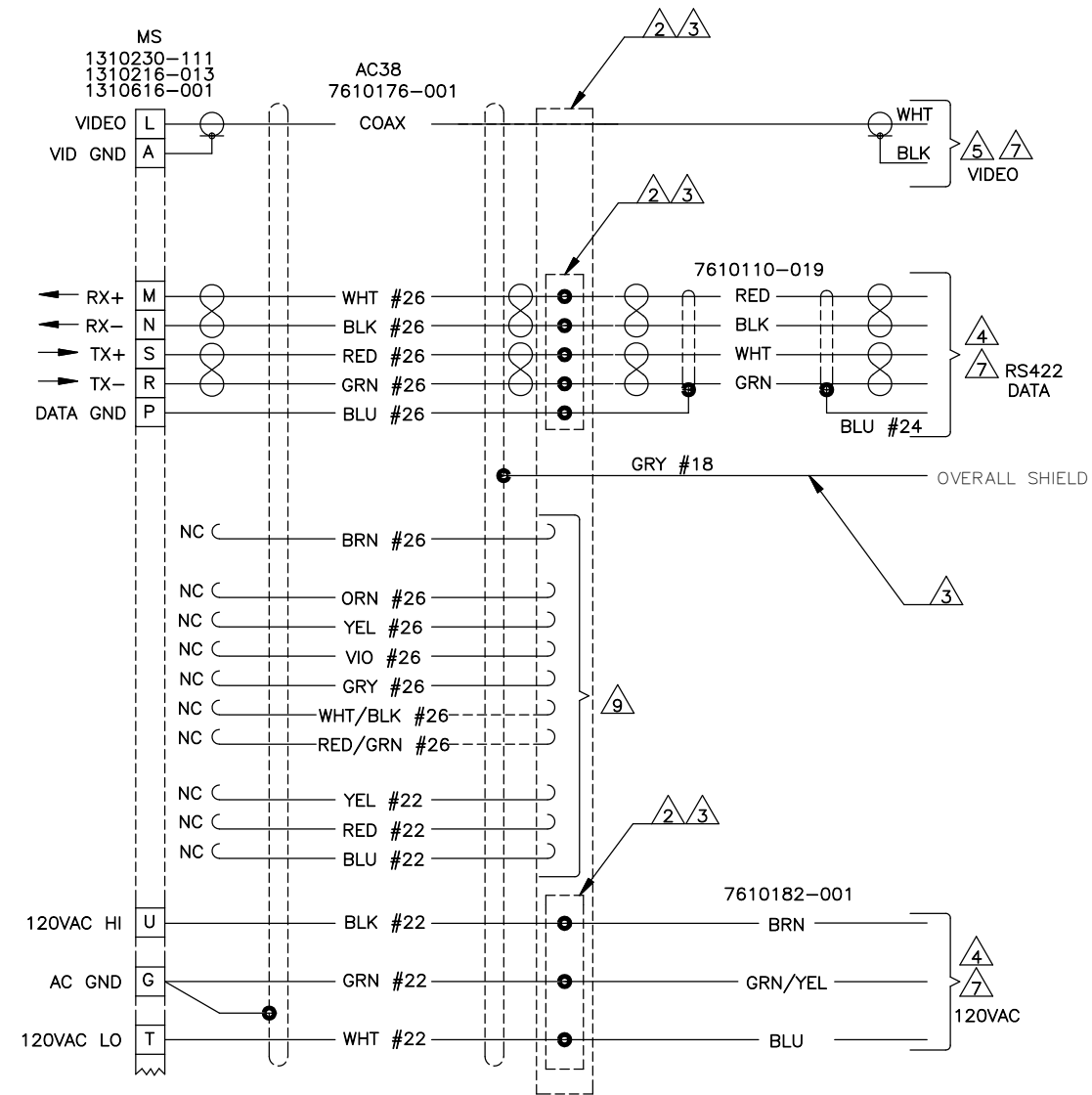
SIZE	CODE IDENT NO.	REV
D	05157	7411278 B
SCALE: 1:1		SHEET 4 OF 9

8 7 6 5 4 3 2 1



**CA278P**

CA 278	CONNECTOR (MAIN)	ACCESSORY	ACCESSORY
P	1310230-111	1310216-013	1310616-001



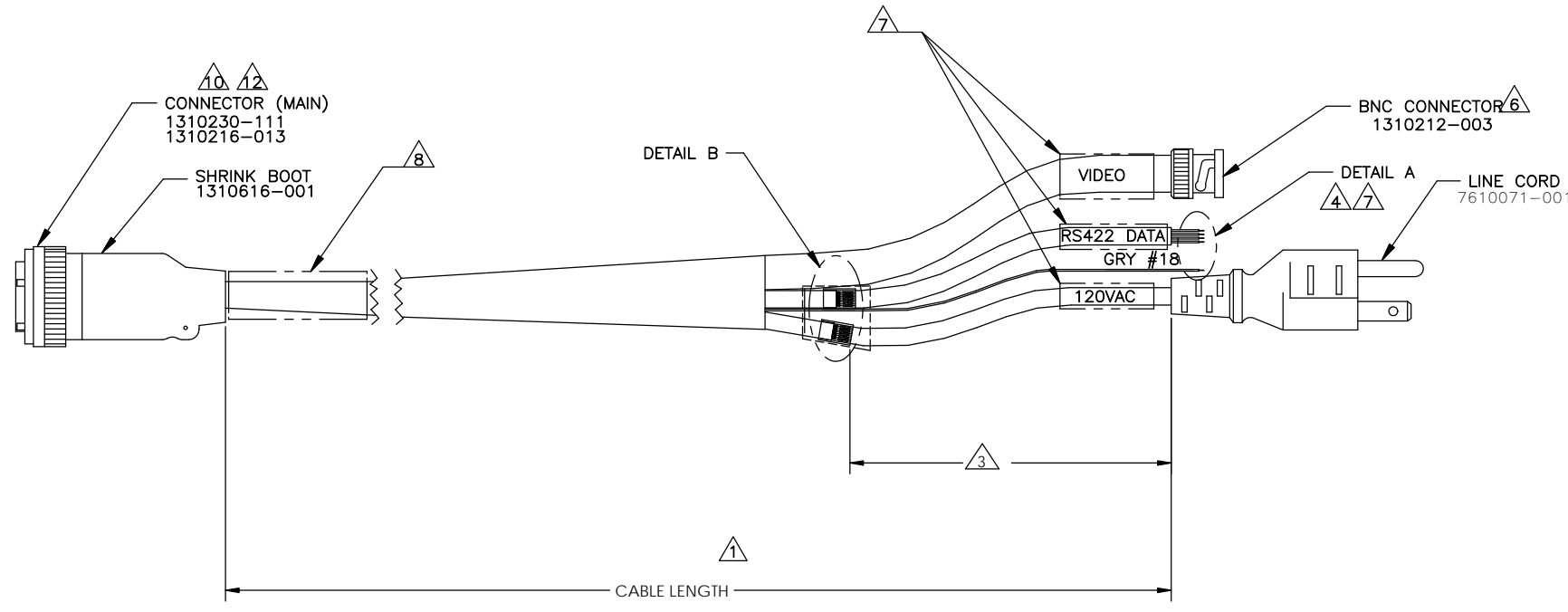
**SCHMATIC**

**COHU HD|COSTAR**

CABLE ASSEMBLY  
4268

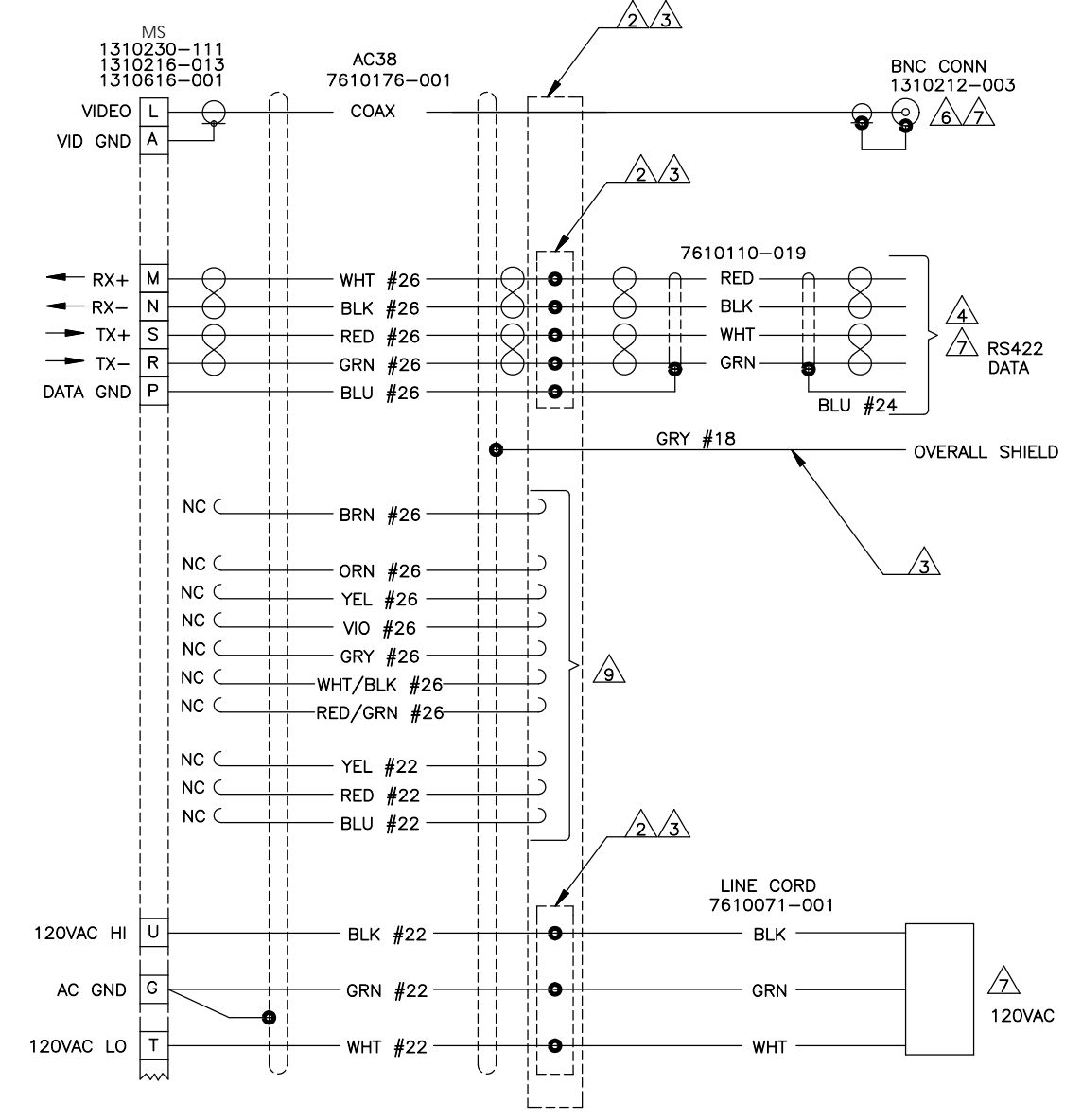
SIZE	CODE IDENT NO.	7411278	REV
D	05157		B

SCALE: 1:1 SHEET 5 OF 9



**CA278Q**

CA 278	CONNECTOR (MAIN)	ACCESSORY	ACCESSORY	CONNECTOR (BNC)	LINE CORD
Q	1310230-111	1310216-013	1310616-001	1310212-003	7610071-001

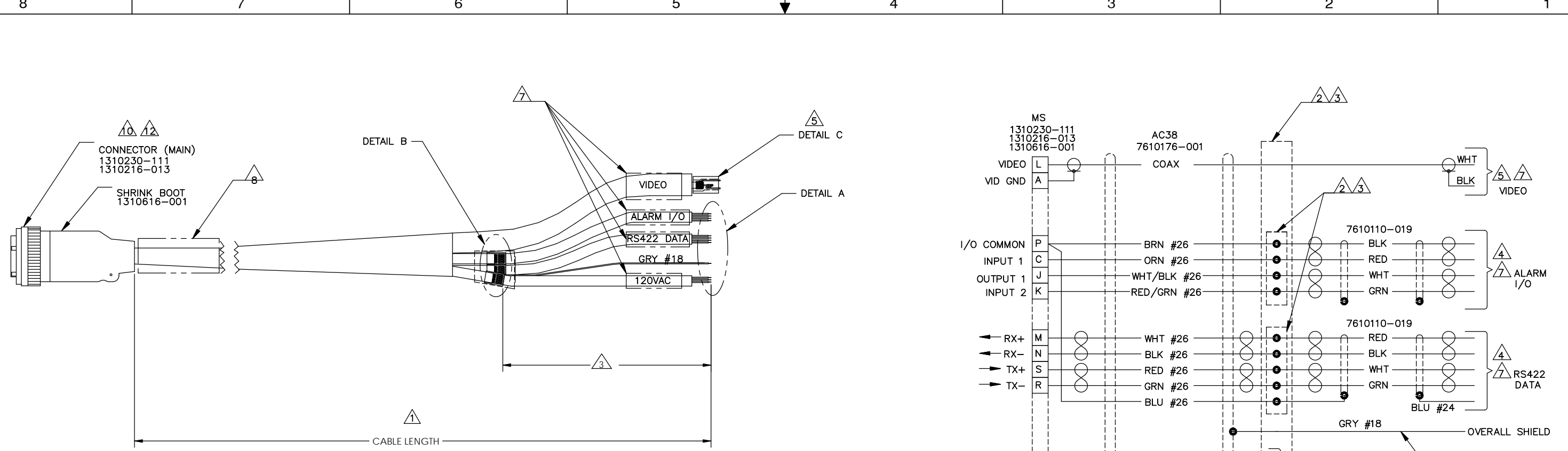


**SCHMATIC**

**COHU HDICOSTAR**

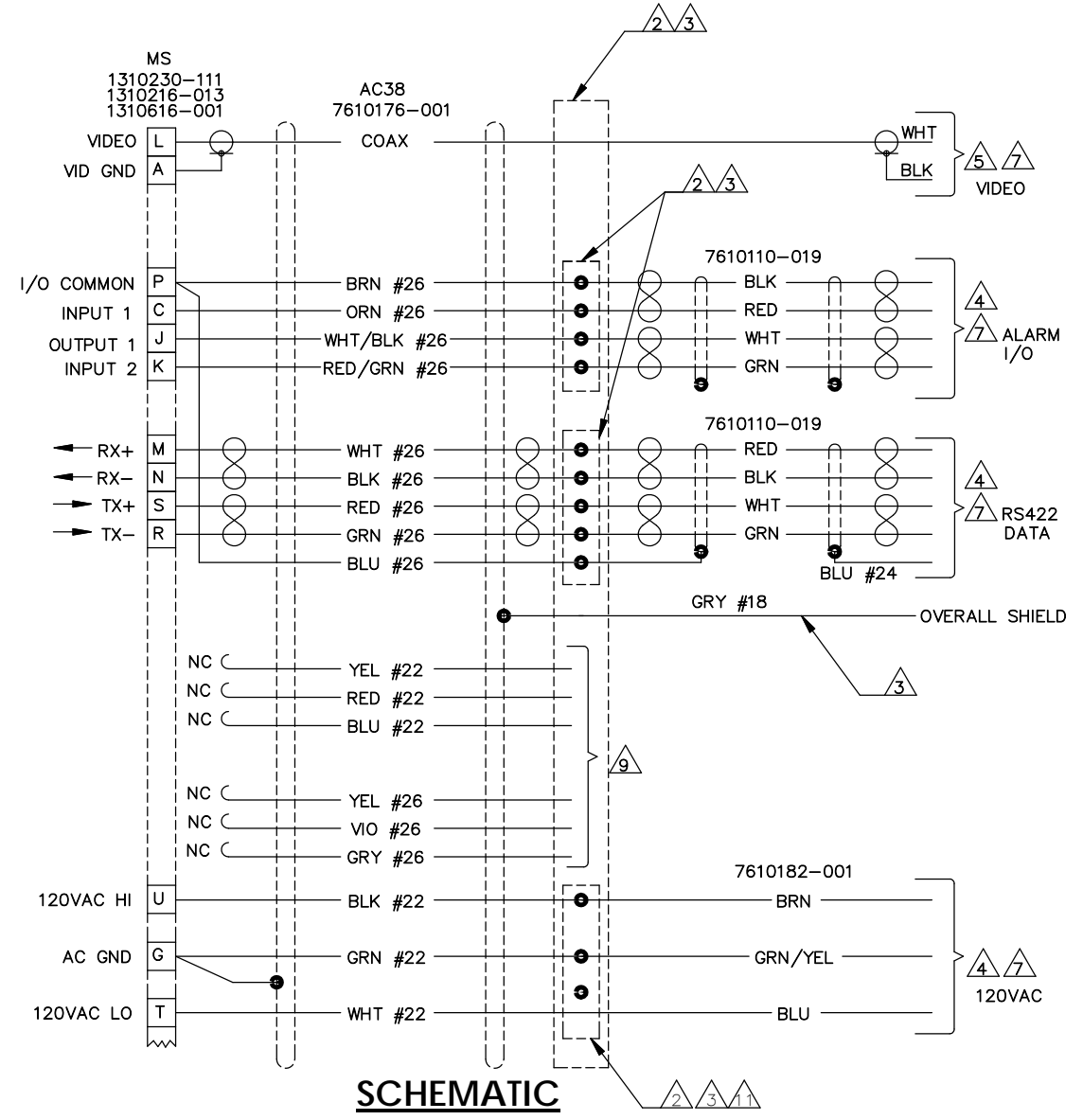
CABLE ASSEMBLY  
4268

SIZE	CODE IDENT NO.	REV
D	05157	7411278 B
SCALE: 1:1		SHEET 6 OF 9



# CA278R

CA 278	CONNECTOR (MAIN)	ACCESSORY	ACCESSORY
R	1310230-111	1310216-013	1310616-001

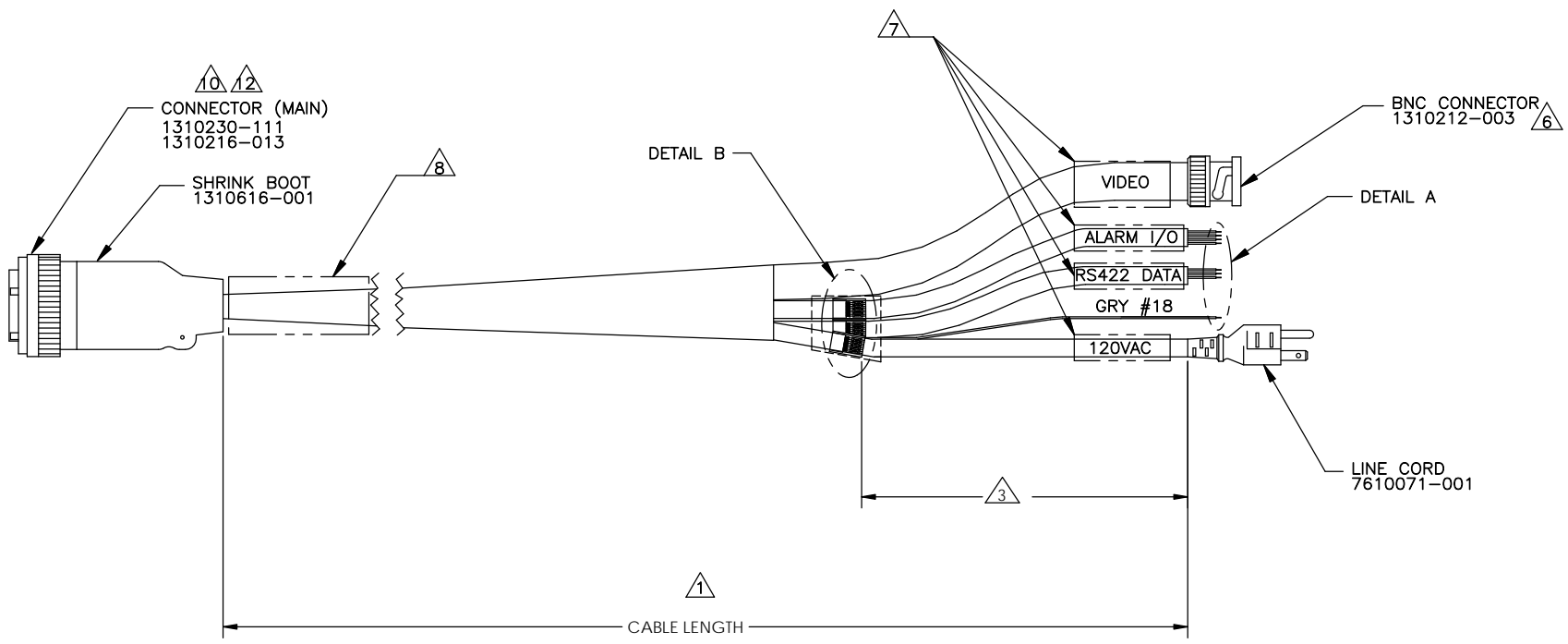


**COHU**  
**HD|COSTAR**

CABLE ASSEMBLY  
4268

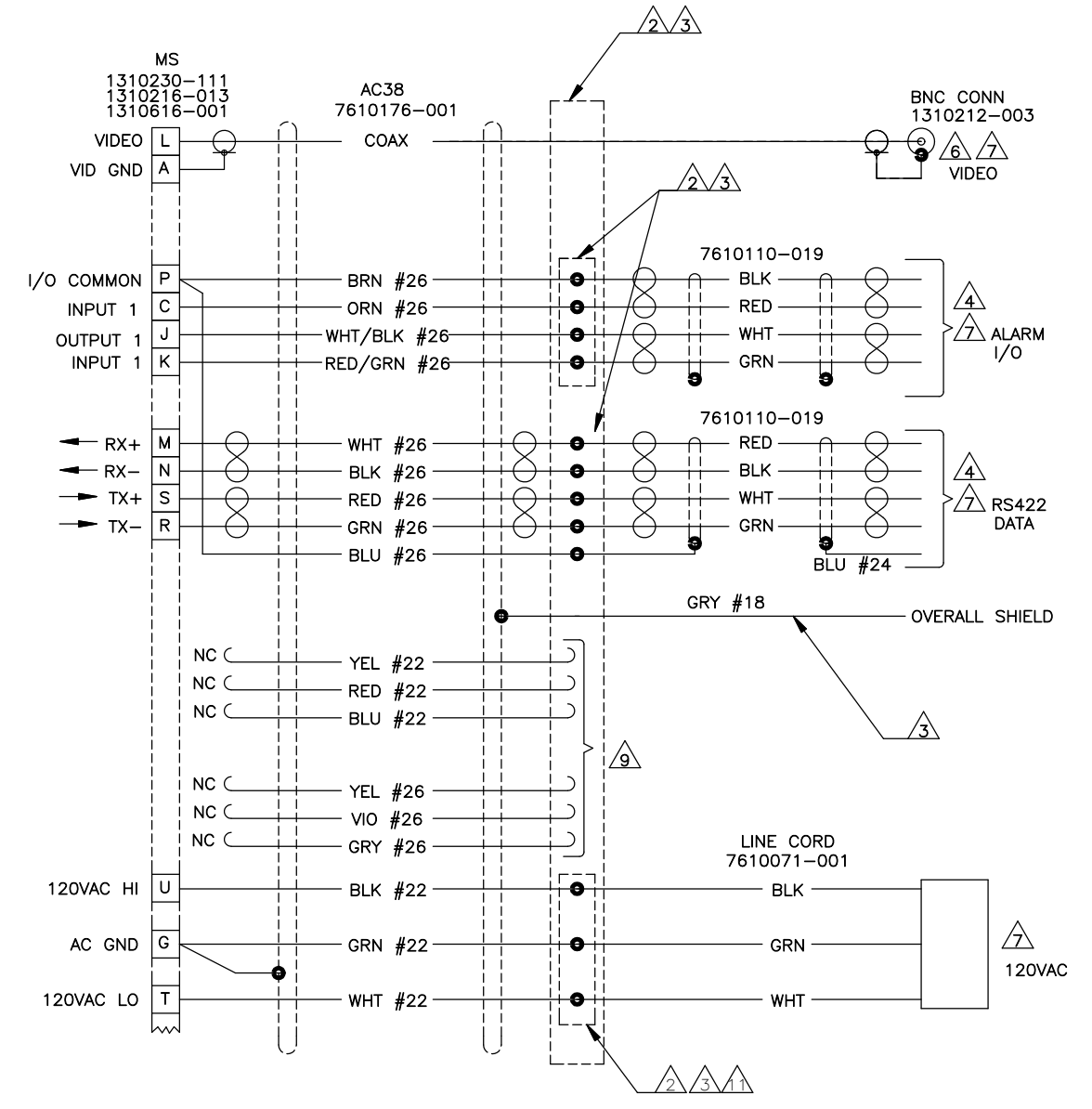
SIZE D	CODE IDENT NO. 05157	7411278	REV B
-----------	-------------------------	---------	----------

SCALE: 1:1 SHEET 7 OF 9



**CA278S**

CA 278	CONNECTOR (MAIN)	ACCESSORY	ACCESSORY	CONNECTOR (BNC)	LINE CORD
S	1310230-111	1310216-013	1310616-001	1310212-003	7610071-001



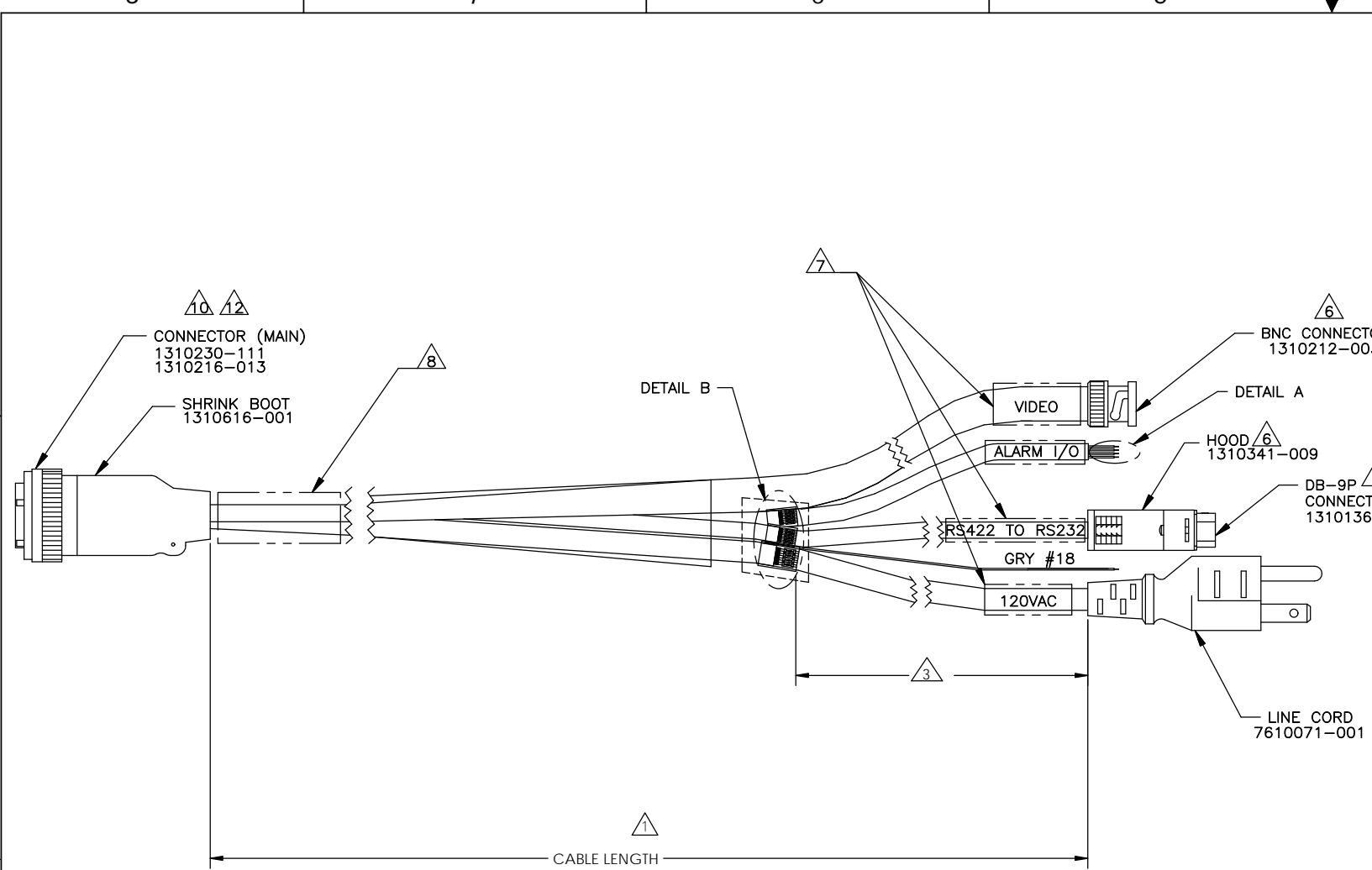
**SCHMATIC**

**COHU**  
**HD|COSTAR**

CABLE ASSEMBLY  
4268

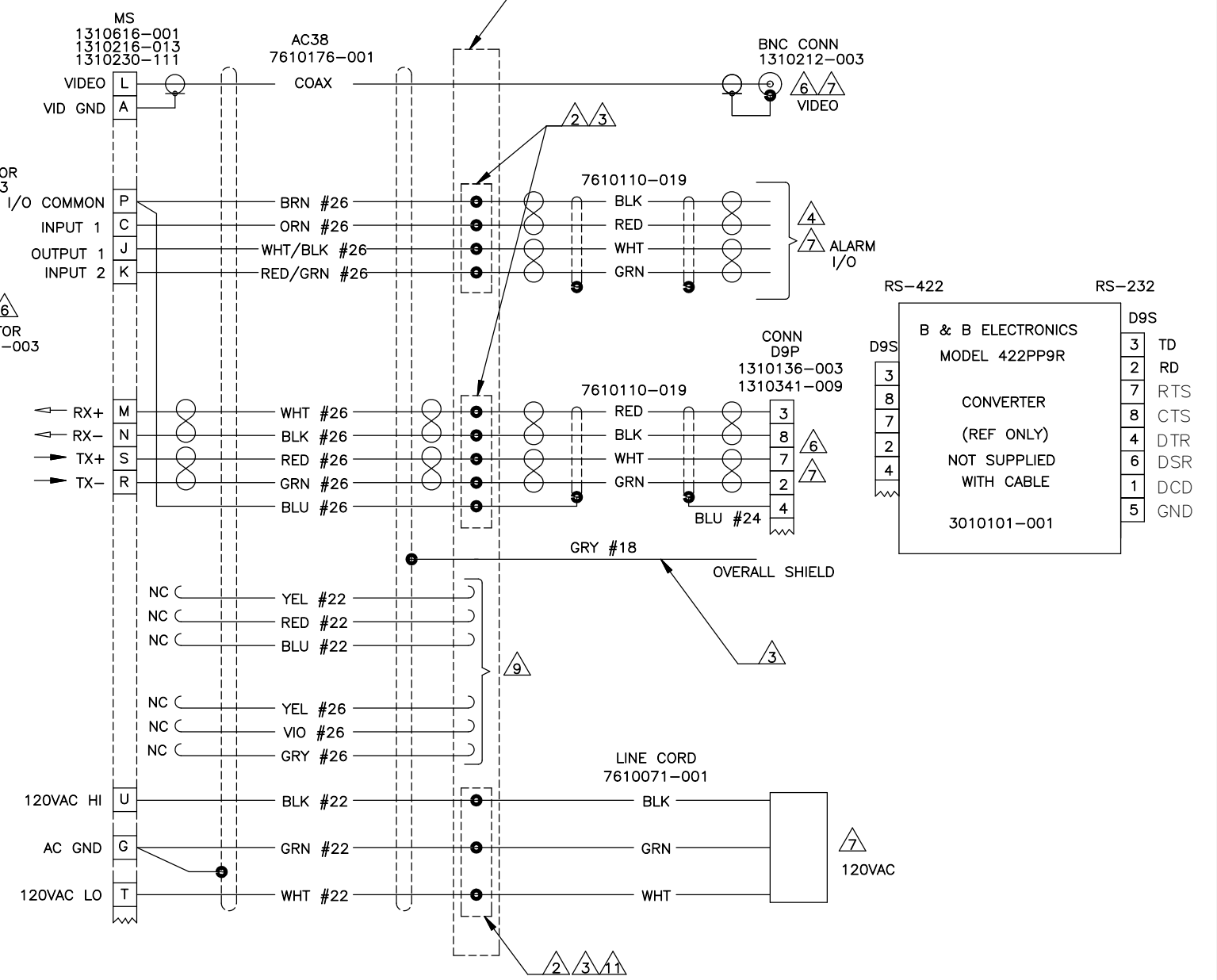
SIZE	CODE IDENT NO.	REV
D	05157	7411278
SCALE: 1:1		SHEET 8 OF 9





**CA278T**

CA 278	CONNECTOR (MAIN)	ACCESSORY	ACCESSORY	CONNECTOR (BNC)	LINE CORD	CONNECTOR D9P	ACCESSORY
T	1310230-111	1310216-013	1310616-001	1310212-003	7610071-001	1310136-003	HOOD 1310341-009 (STRAIGHT)



**SCHMATIC**

**COHU HD|COSTAR**

CABLE ASSEMBLY  
4268

SIZE	CODE IDENT NO.	REV
D	05157	7411278 B

SCALE: 1:1 SHEET 9 OF 9