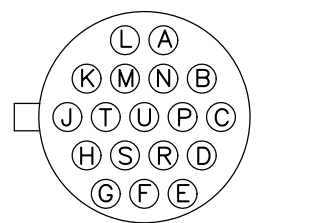
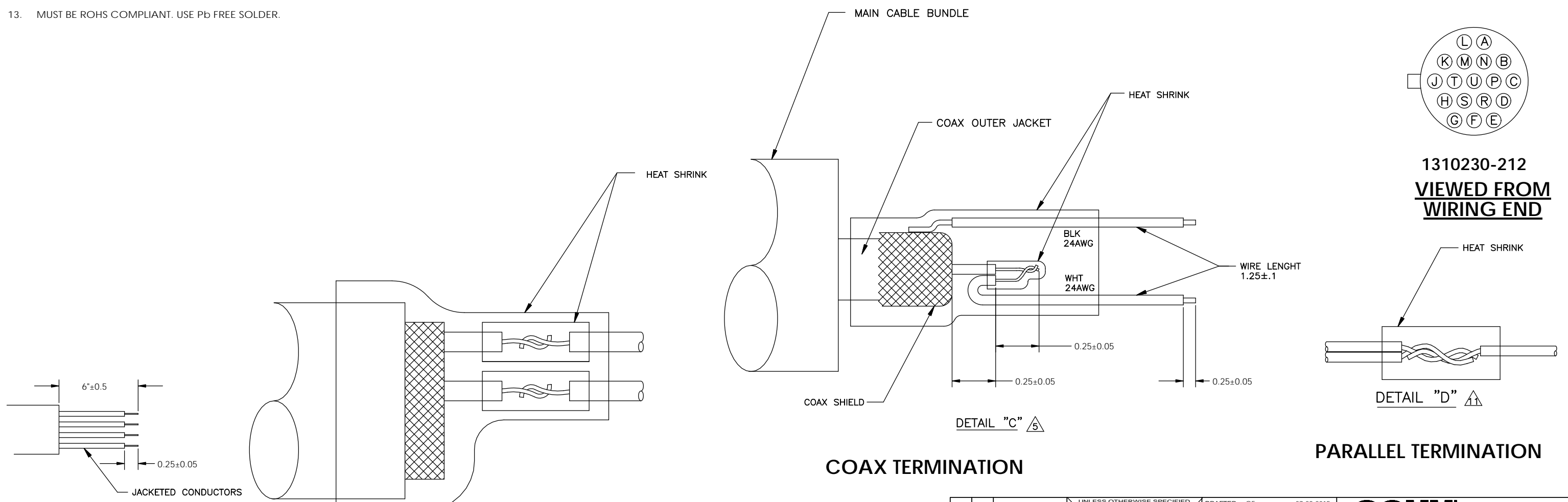


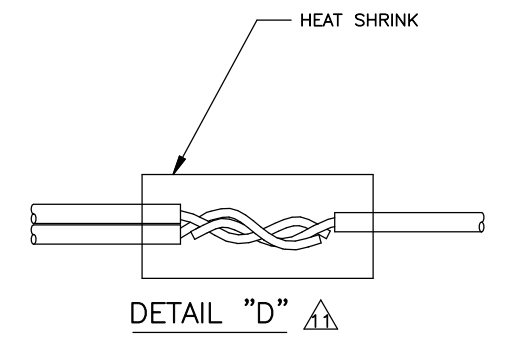
NOTES: UNLESS OTHERWISE SPECIFIED

- 1. MAX. CABLE LENGTH: 80 FEET FOR 24VAC. MINIMUM CABLE LENGTH IS 2 FEET.
- 2. INSTALL SHRINK TUBING OVER SPliced SOLDER JOINTS AS SHOWN IN DETAILS B & D.
- 3. FOR CABLE LENGTHS GREATER THAN 10 FEET: STRIP OUTER JACKET OF CABLE BUNDLE BACK 6 FEET. FOR CABLE LENGTHS LESS THAN 10 FEET: STRIP OUTER JACKET OF CABLE 1/2 OF SPECIFIED LENGTH. FOR ALL CABLE S TERMINATE WIRES AS INDICATED BY SCHEMATIC.
- 4. STRIP OUTER JACKET BACK $6" \pm .5"$. STRIP INDIVIDUAL CONDUCTORS $.25" \pm .05"$ AND TIN WIRE AS REQUIRED BY SCHEMATIC. UNUSED WIRE TO BE CUT FLUSH WITH OUTER JACKET AND COVERED BY HEAT SHRINK IF REQUIRED. SEE DETAIL A.
- 5. TERMINATE COAX PER DETAIL C.
- 6. INSTALL CONNECTORS PER MFR. INSTRUCTIONS.
- 7. IDENTIFY WITH NOMENCLATURE INDICATED APPROX. WHERE SHOWN.
- 8. IDENTIFY WITH THE 'CAxxx' CABLE NUMBER AS INDICATED IN THIS DRAWING, THE REVISION OF THIS DRAWING, AND THE SPECIFIED CABLE LENGTH APPROX. WHERE SHOWN.
- 9. UNUSED WIRE TO BE CUT FLUSH W/OUTER JACKET AND COVERED BY HEAT SHRINK.
- 10. POT MAIN CONNECTOR PER MM-81.
- 11. TERMINATE PARALLEL CONDUCTORS INTO A SINGLE CONDUCTOR AS SHOWN.
- 12. DO NOT INSTALL THE STRAIN RELIEF CLAMP PARTS PROVIDED WITH THE CONNECTOR.
- 13. MUST BE ROHS COMPLIANT. USE Pb FREE SOLDER.

REVISIONS				
ZONE	REV.	DESCRIPTION	DATE	APPROVED
	A	INITIAL RELEASE ECO 032109	11/3/2015 RDL	RDL
	B	CA279A & CA279 REMOVED SHRINK BOOT (P/N 1310616-001) ECO 032247	12/2/2015	MN



1310230-212
VIEWED FROM WIRING END



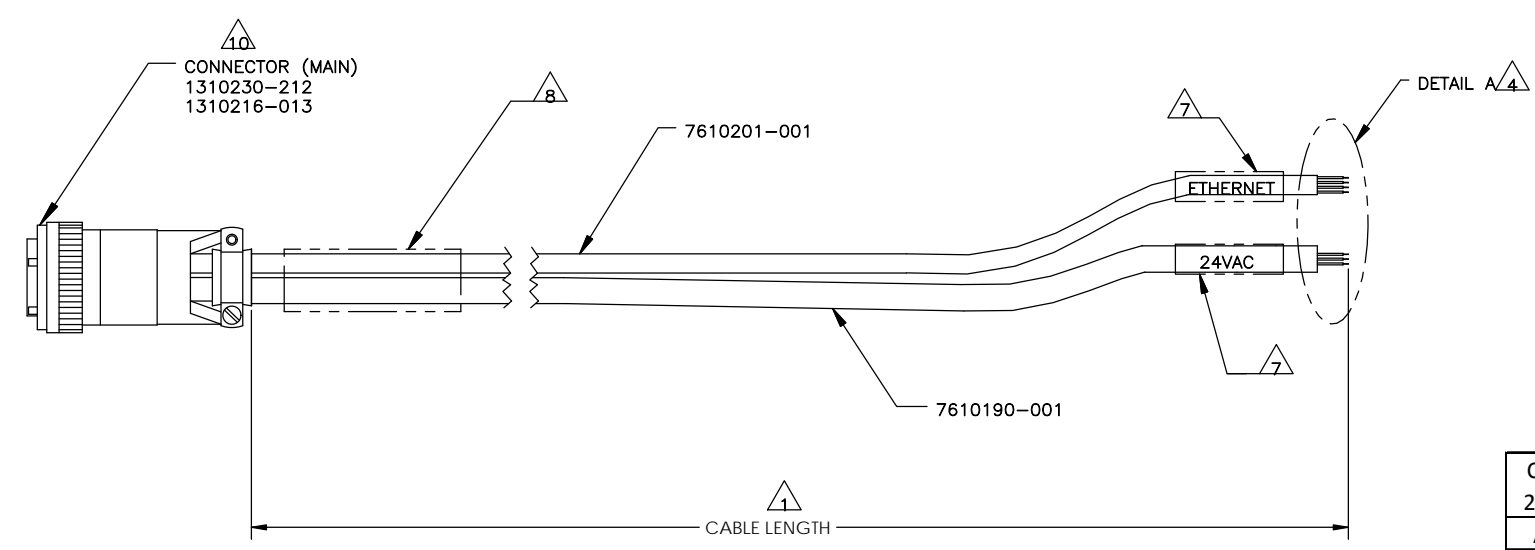
UNLESS OTHERWISE SPECIFIED DIMENSIONS ARE IN INCHES. DIMENSIONS IN () ARE METRIC (mm).		DRAFTER GE 07-29-2015	COHU HDICOSTAR™
TOLERANCES ARE INCHES MILLIMETERS ANGLES		CHECKER	
.00 ± .01 (0.0) ± 0.25 ±0° 30'		APPD	CABLE ASSEMBLY CA279
.000 ± .005 (0.00) ± 0.13		APPD	
INCHES MILLIMETERS		RELEASE	
.013 THRU +.004 (.20) THRU +.10 (3.20) -.02		DO NOT SCALE DRAWING	
.126 THRU +.005 (3.21) THRU +.13 (6.35) -.02			
.251 THRU +.006 (6.36) THRU +.16 (12.70) -.02			
.501 THRU +.008 (12.71) THRU +.20 (20.0) -.02			
REF 7411980	MATERIAL NOTED	SIZE D 05157	CODE IDENT NO. 7411279
DASH REQD NEXT ASSEMBLY	FINISH NOTED	REV B	
		SCALE: 1:1	SHEET 1 OF 6

WIRE TERMINATION

PIGTAIL SPLICE

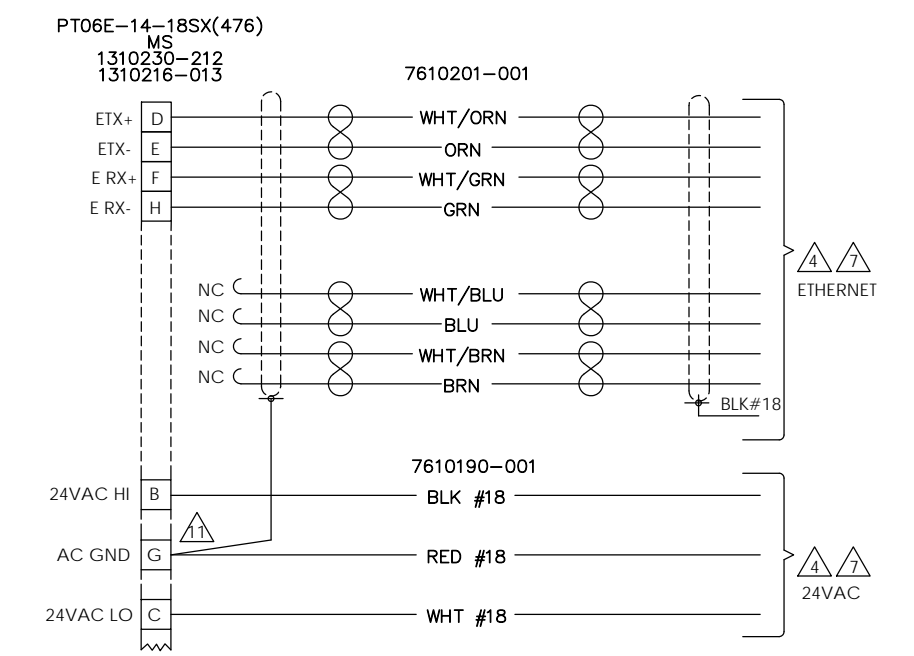
COAX TERMINATION

PARALLEL TERMINATION

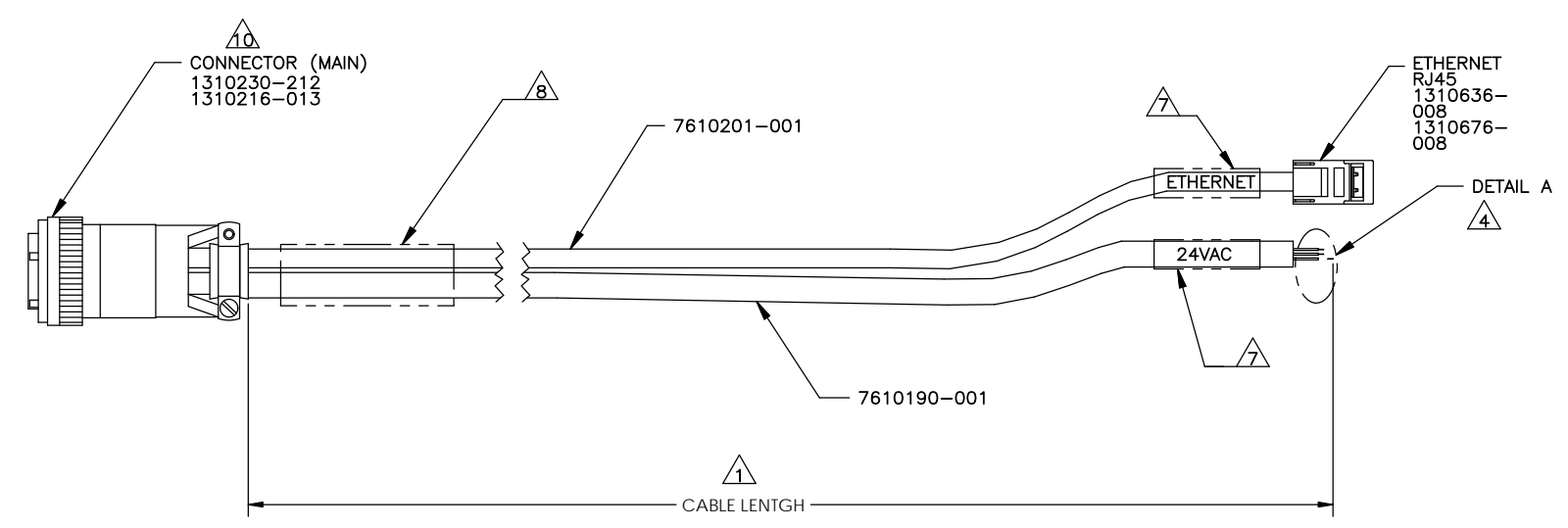


CA	CONNECTOR (MAIN)	EXTENSION
279	1310230-212	1310216-013
A	1310230-212	1310216-013

CA279A

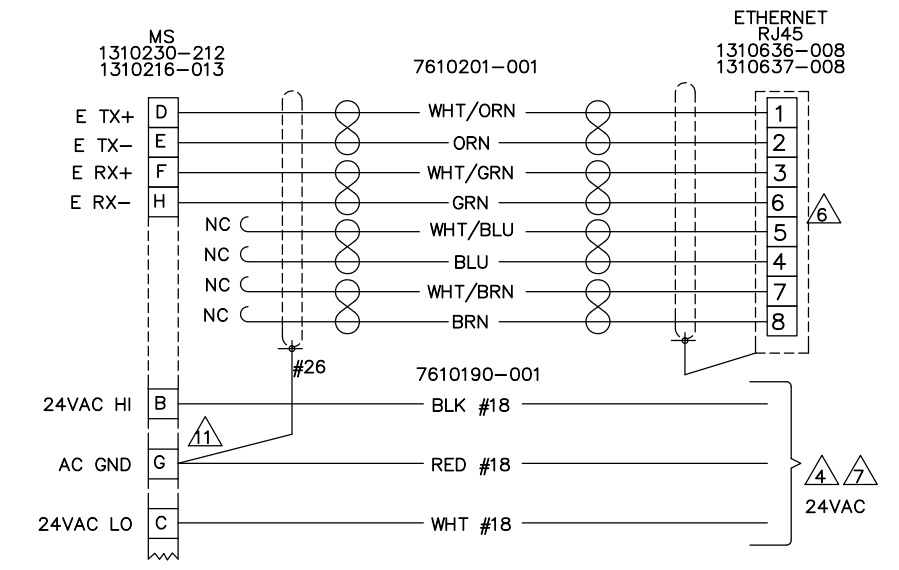


SCHEMATIC



CA	CONNECTOR (MAIN)	EXTENSION	CONNECTOR RJ45	BOOT
279	1310230-212	1310216-013	1310636-008	1310637-008
B	1310230-212	1310216-013	1310636-008	1310637-008

CA279B

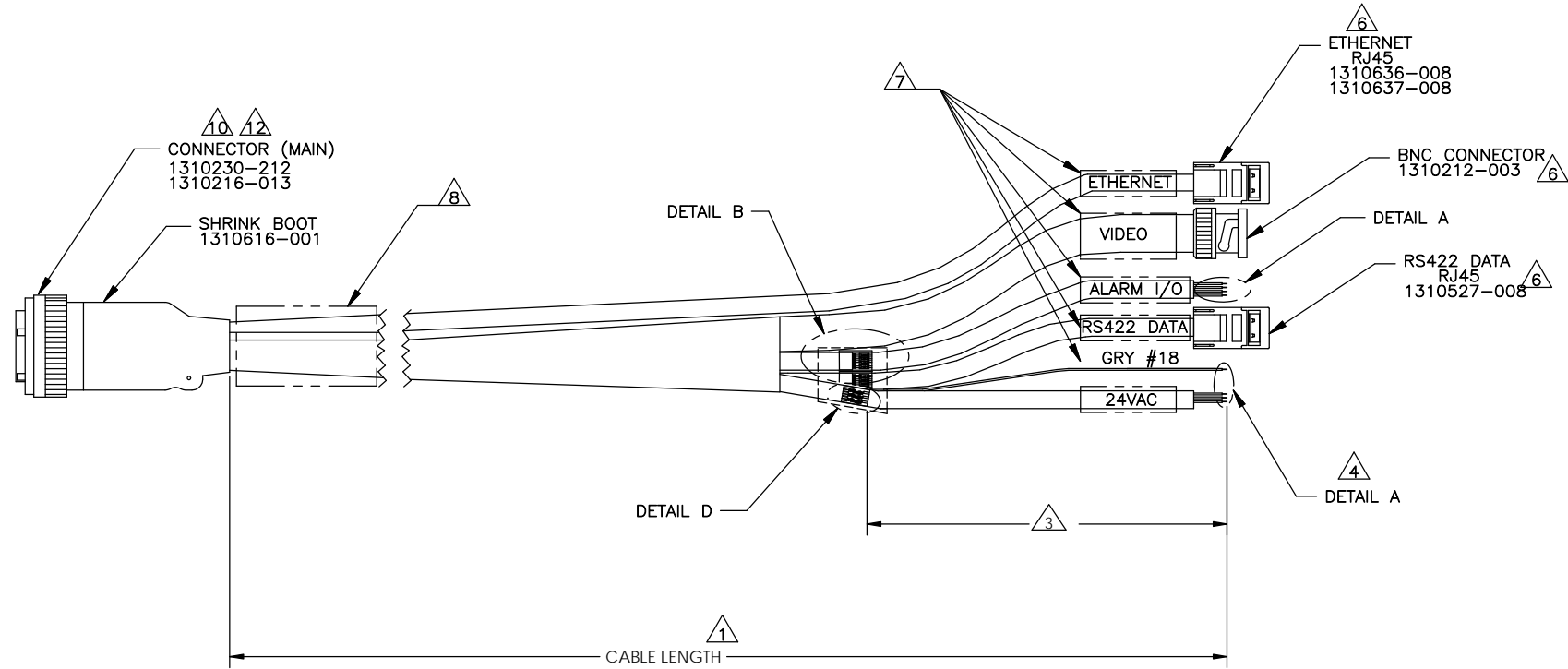


SCHEMATIC

COHU
HD|COSTAR

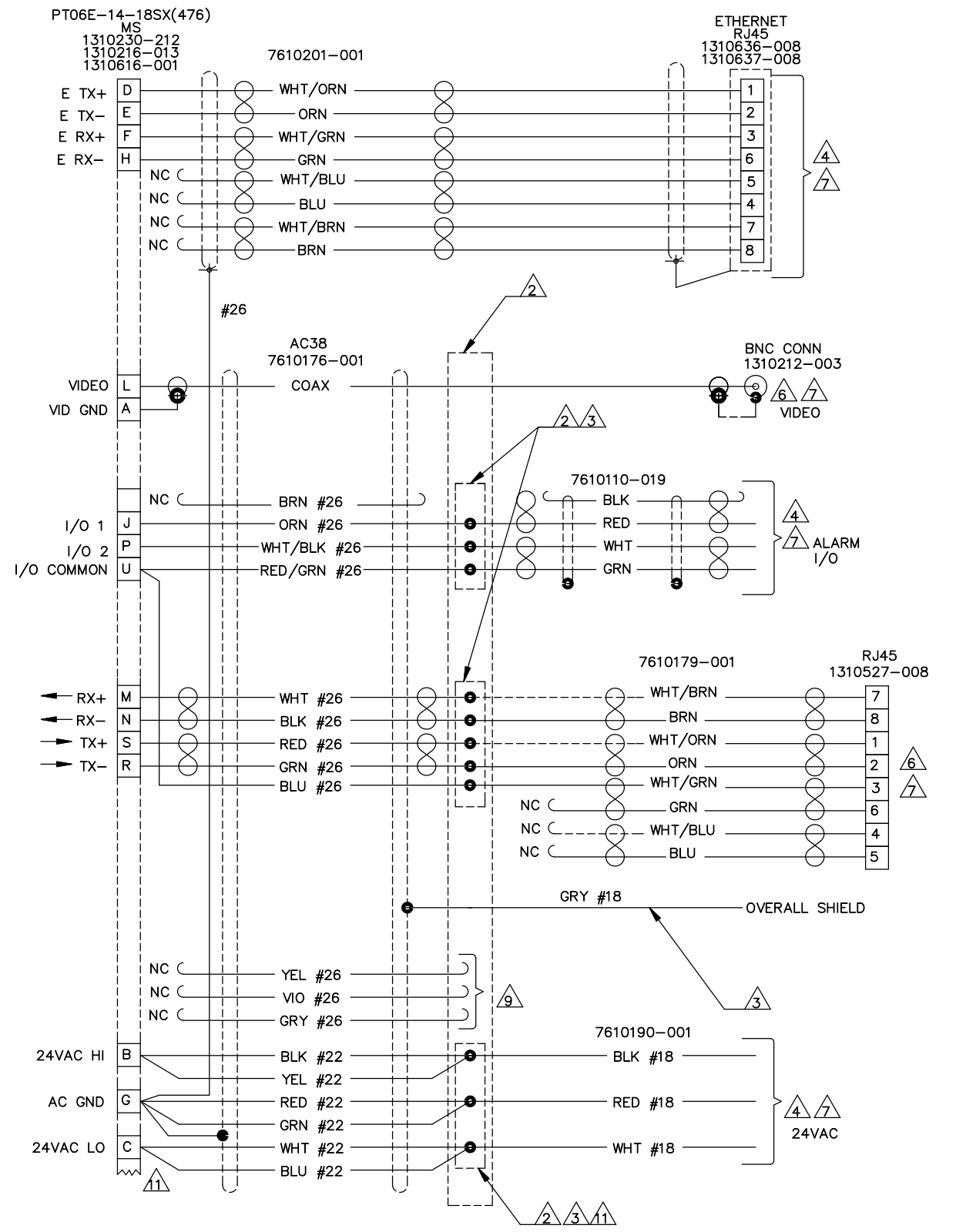
CABLE ASSEMBLY CA279

SIZE	CODE IDENT NO.	REV
D	05157	B
7411279		
SCALE: 1:1	SHEET 2 OF 6	



CA279M

CA 279	CONNECTOR (MAIN)	EXTENSION	ACCESSORY	CONNECTOR (BNC)	RS422 DATA RJ45	EITHERNET RJ45	BOOT
M	1310230-212	1310216-013	1310616-001	1310212-003	1310527-008	1310636-008	1310637-008



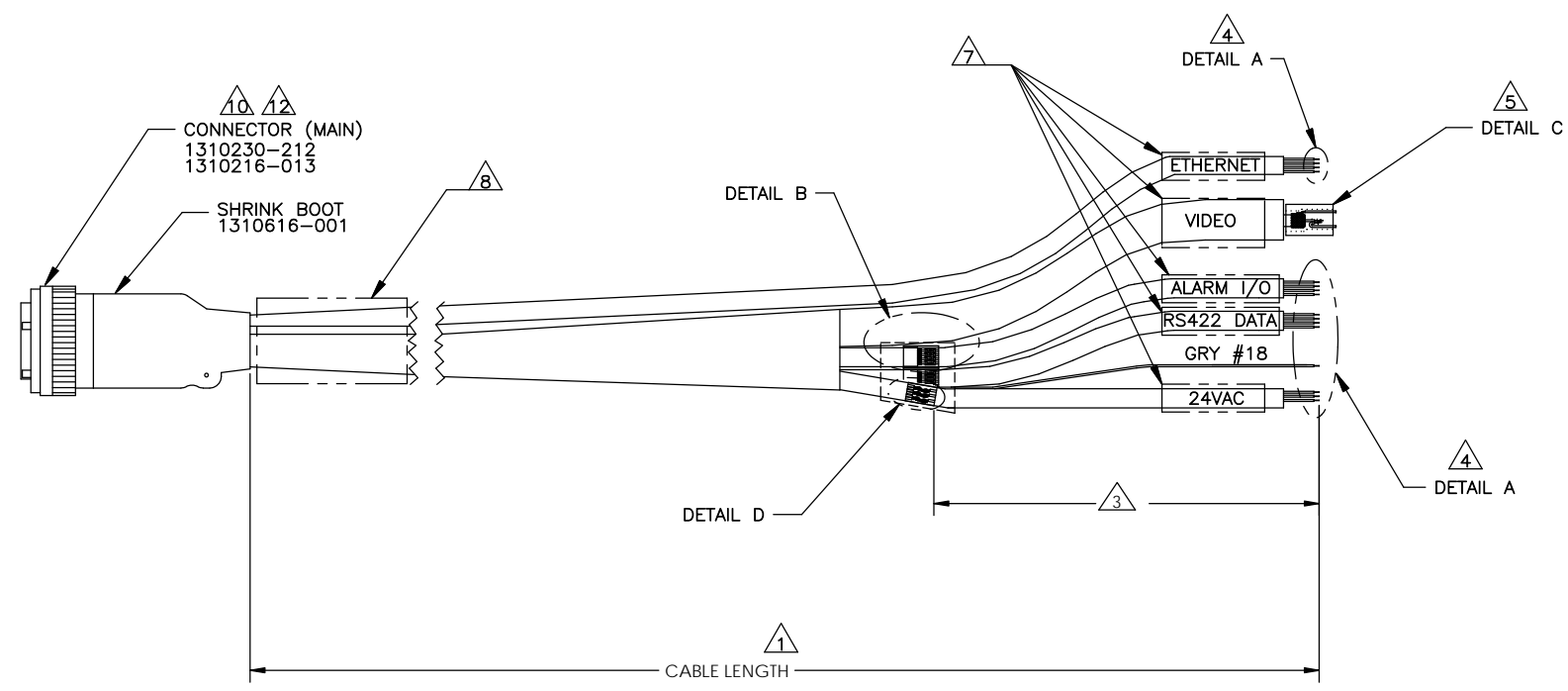
SCHEMATIC

COHU
HD|COSTAR

CABLE ASSEMBLY CA279

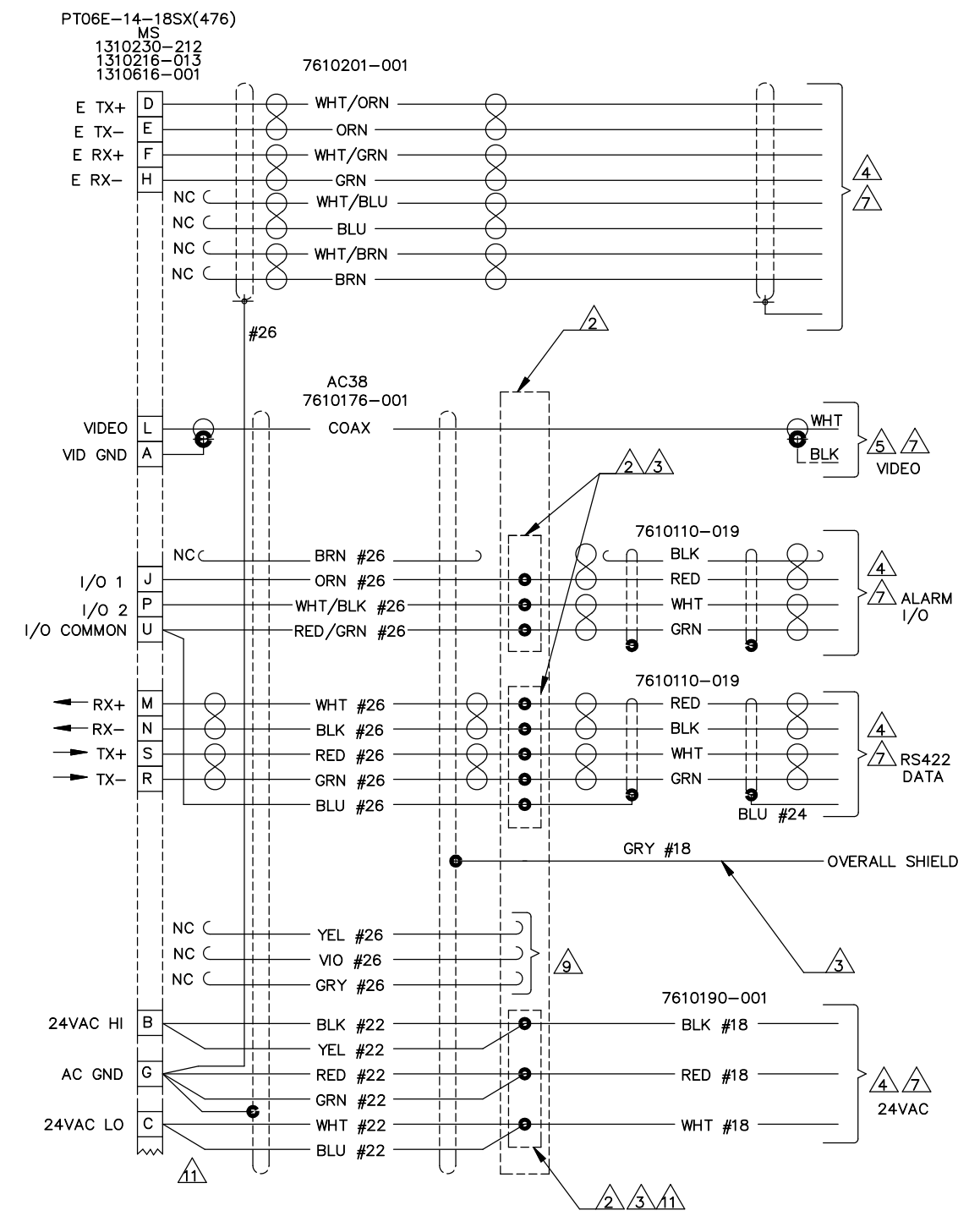
SIZE	CODE IDENT NO.	REV
D	05157	B

SCALE: 1:1 SHEET 3 OF 6



CA279R

CA	CONNECTOR (MAIN)	EXTENSION	ACCESSORY
279	1310230-212	1310216-013	1310616-001
R			



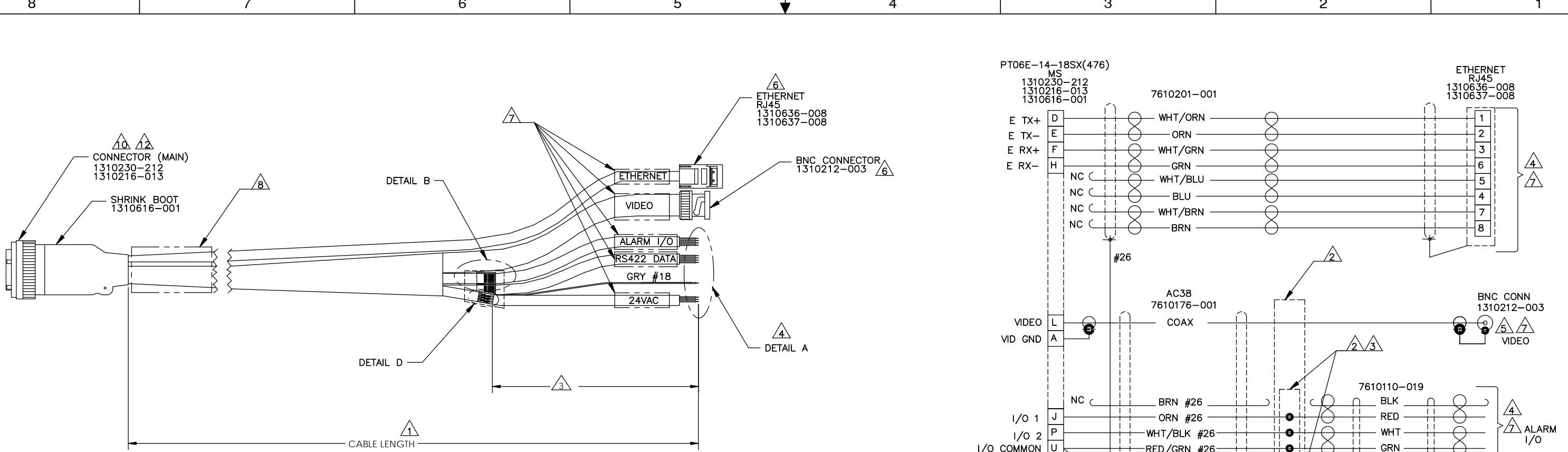
SCHMATIC

COHU HD|COSTAR

CABLE ASSEMBLY CA279

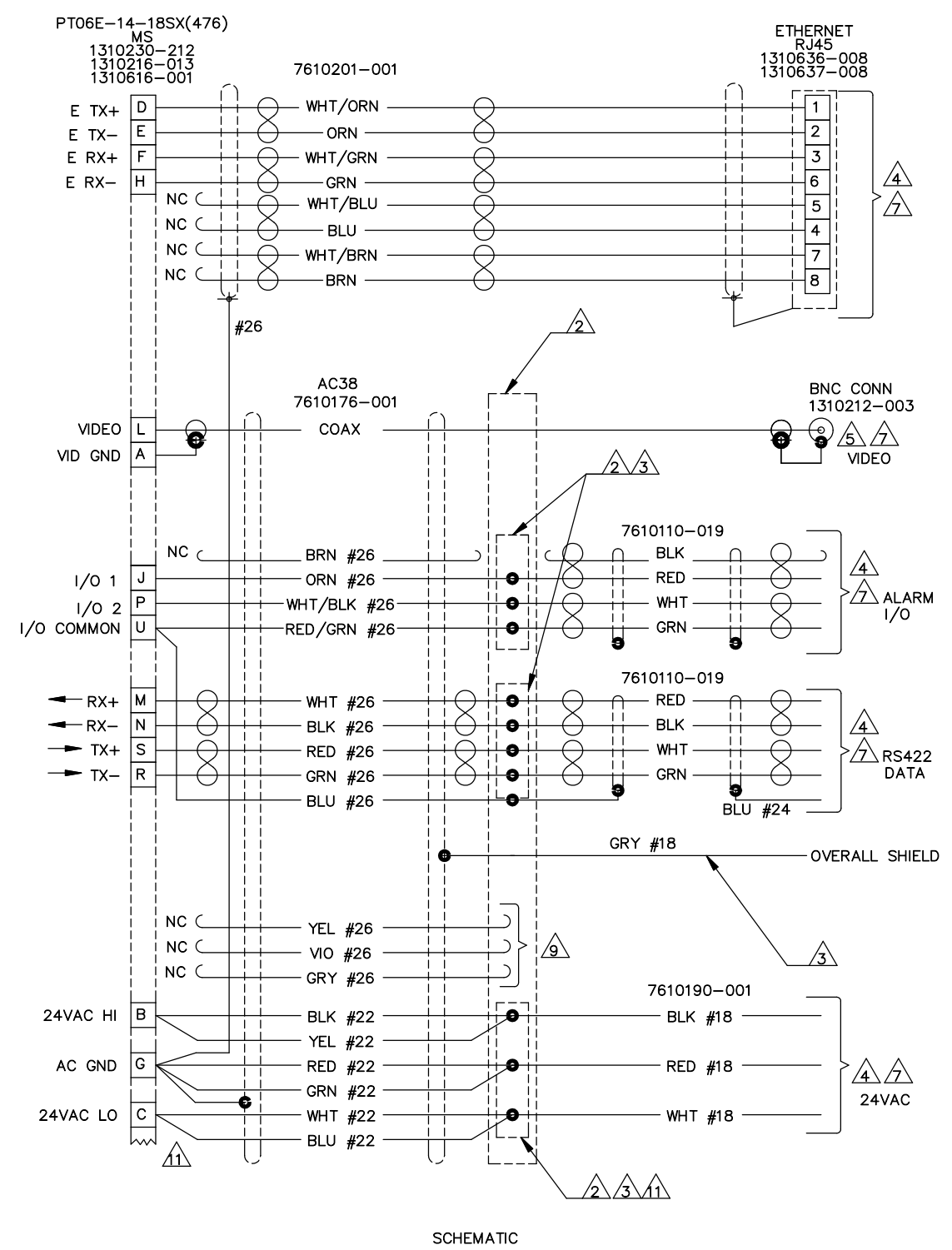
SIZE	CODE IDENT NO.	REV
D	05157	7411279 B

SCALE: 1:1 SHEET 4 OF 6



CA279S

CA 279	CONNECTOR (MAIN)	EXTENSION	ACCESSORY	CONNECTOR (BNC)	ETHERNET RJ45	BOOT
S	1310230-212	1310216-013	1310616-001	1310212-003	1310636-008	1310637-008

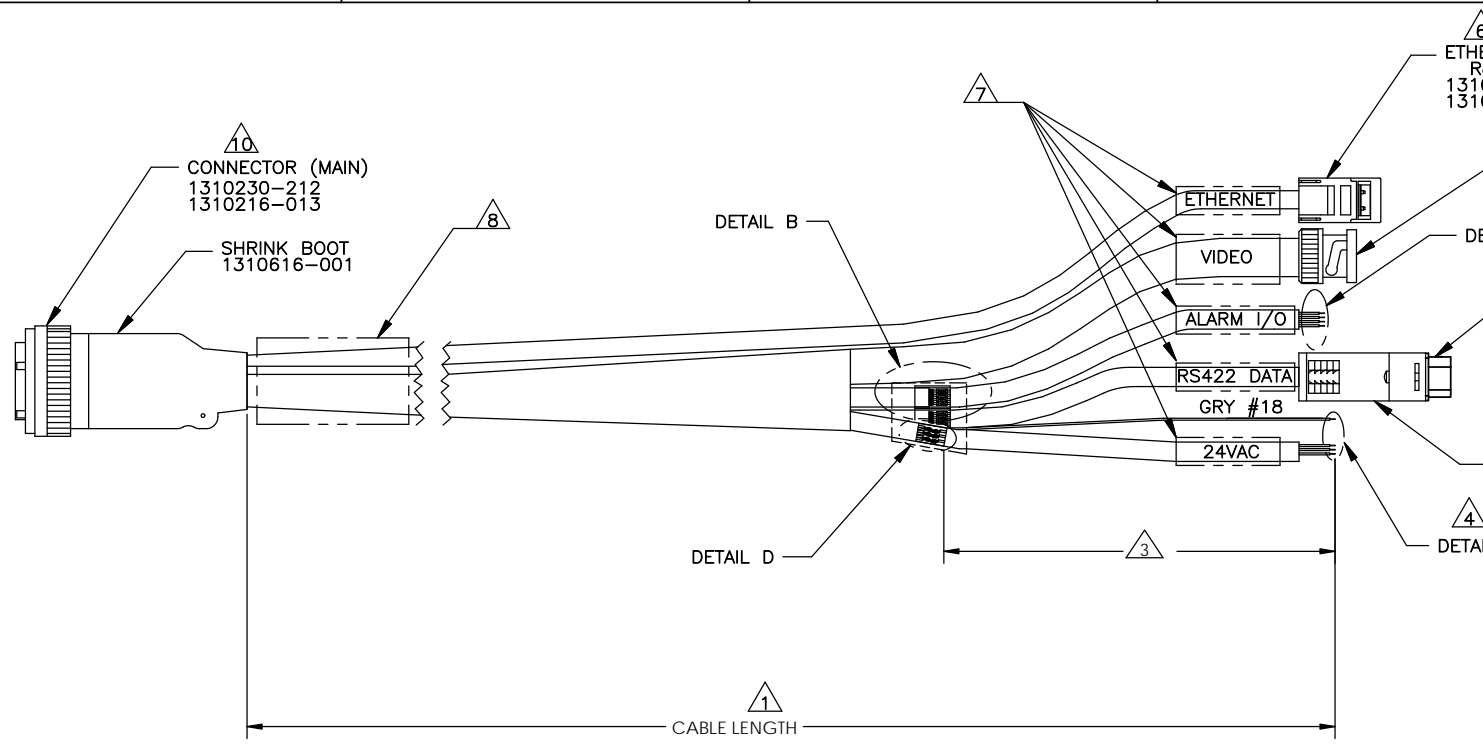


COHU HDICOSTAR

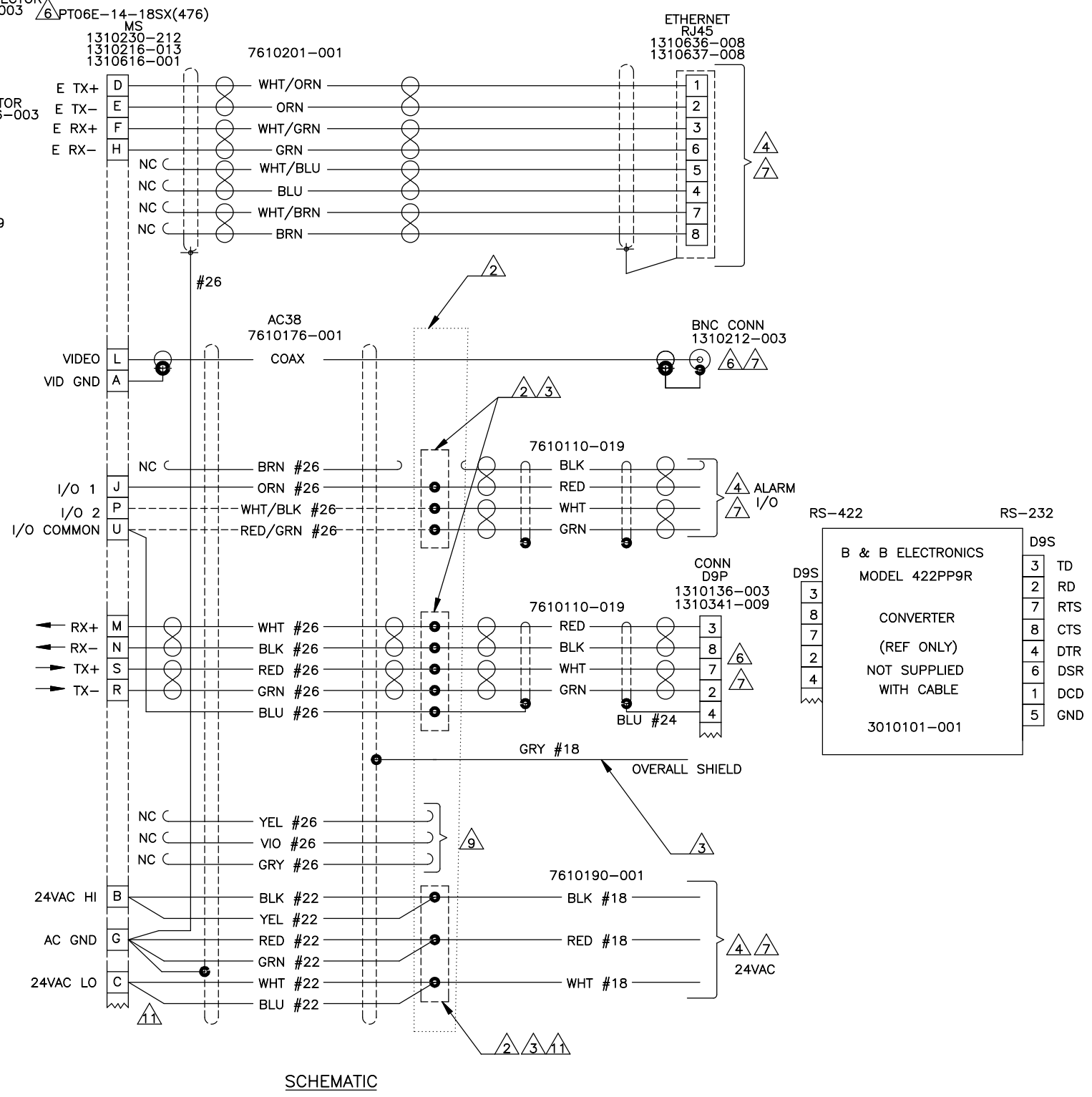
CABLE ASSEMBLY CA279

SIZE	CODE IDENT NO.	REV
D	05157	7411279 B

SCALE: 1:1 SHEET 5 OF 6



CA	CONNECTOR (MAIN)	EXTENSION	ACCESSORY	CONNECTOR (BNC)	CONNECTOR D9P	ACCESSORY	EITHERNET RJ45	BOOT
T	1310230-212	1310216-013	1310616-001	1310212-003	1310136-003	HOOD 1310341-009 (STRAIGHT)	1310636-008	1310637-008



SCHMATIC

COHU HDICOSTAR

CABLE ASSEMBLY CA279

SIZE	CODE IDENT NO.	REV
D	05157	7411279 B

SCALE: 1:1 SHEET 6 OF 6