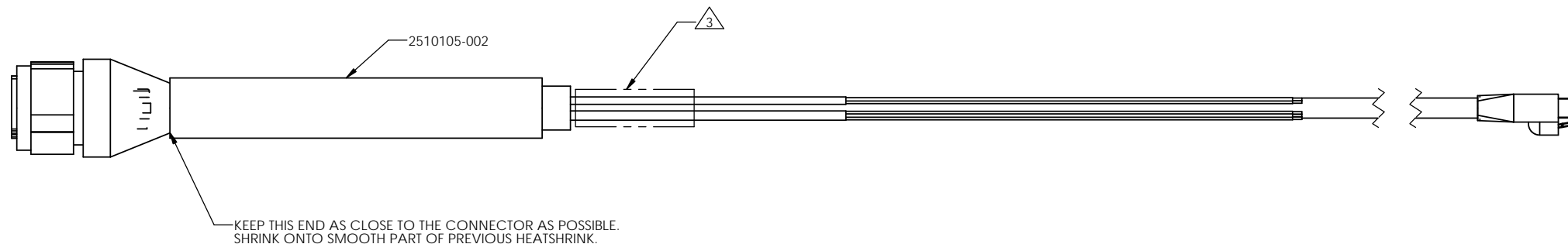
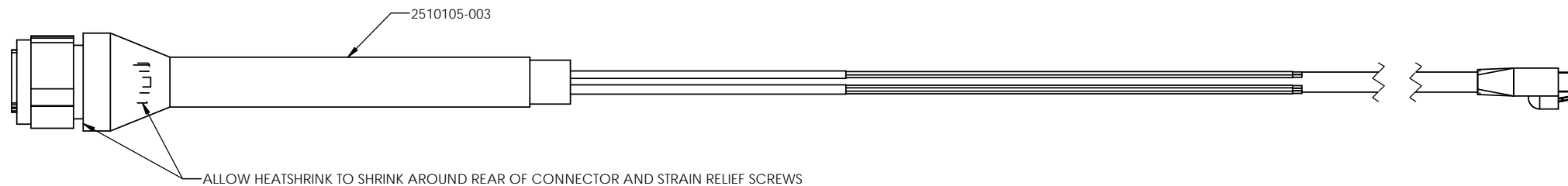
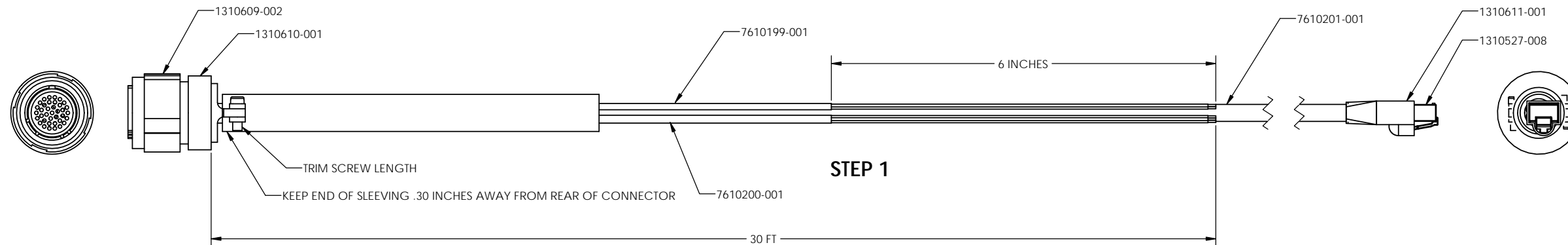


NOTES: UNLESS OTHERWISE SPECIFIED

- MARK CONNECTORS WITH REFERENCE DESIGNATORS AT INSTALLATION.
- TOLERANCE FOR THE WIRES: +0.50/-0.00.
- IDENTIFY CABLE WITH PART NUMBER AND REVISION APPROX. WHERE SHOWN.
- MUST BE ROHS COMPLIANT.

- FINISHED ASSEMBLY SHALL CONFORM TO IPC/WHMA-A-620 CLASS 2.
- ALL CHANGES IN PART SOURCING MUST BE APPROVED BY COHU ELECTRONICS.
- CABLE SHIELDS ATTACHED TO CHASSIS GND USING #20 BLUE WIRES (3X).

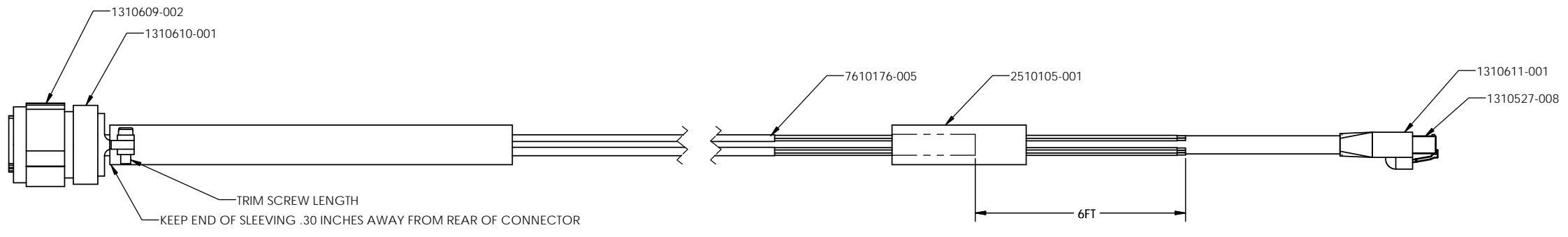
REVISIONS				
ZONE	REV.	DESCRIPTION	DATE	APPROVED
	Z1	INITIAL RELEASE ECO 031391	2/5/2013	RDL
	A	ADDED HEAT SHRINK TO EDGE OF STRIPPED BACK AREA & ADDED .002 HEATSHRINK OVER TOP OF .005 SCHEMATIC SHEETS. ECO 031548	7/24/2013	RDL
	B	CORRECTIONS MISSED WHEN UPDATING COLORS ON ECO 031548. ALSO ADDED SPICES ON AUX WIRES. ECO 031634	8/30/2013	RDL
	C	ADDED LABELING NOTES AND CORRECTED SPELLING IN NOTES. ECO 031640	9/13/2013	RDL
	D	BORDER UPDATE TO COHU HD COSTAR LOGO. SH3 & SH4: MAIN CONNECTOR: REVISED HOST 4.5.22.23 "FROM CAMERA" AND "TO CAMERA" SIGNALS. ECO 032035	2/23/2015	DD
	E	SH3: REVISED BELDEN 1033A & BELDEN 5202F1 WIRE TERMINATION NOTE. ECO 032222	10/28/2015	RDL



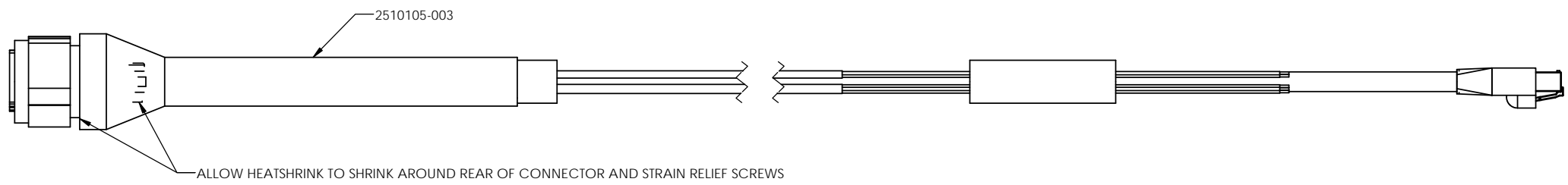
CA289A

UNLESS OTHERWISE SPECIFIED DIMENSIONS ARE IN INCHES DIMENSIONS IN () ARE METRIC (mm)		DRAFTER RDL 1-4-2013	COHU HD COSTAR™
TOLERANCES ARE		CHECKER	
INCHES	MILLIMETERS	ANGLES	8800HD CAMERA CABLE CA289
.00 ±.01	(0.0) ±0.25	±0° 30'	
.000 ±.005	(0.00) ±0.13		SIZE CODE IDENT NO. REV
HOLE TOLERANCES		RELEASE	D 05157 7411289 E
INCHES	MILLIMETERS	DO NOT SCALE DRAWING	SCALE: 1:1 SHEET 1 OF 4
.013 THRU +.004	(.30) THRU +.10		
.125 -.001	(3.20) -.02		
.126 THRU +.005	(3.21) THRU +.13		
.250 -.001	(6.35) -.02		
.251 THRU +.006	(6.36) THRU +.16		
.500 -.001	(12.70) -.02		
.501 THRU +.008	(12.71) THRU +.20		
.750 -.001	(20.0) -.02		
MATERIAL	NOTED		
FINISH	NOTED		
DASH	REQD	NEXT ASSEMBLY	

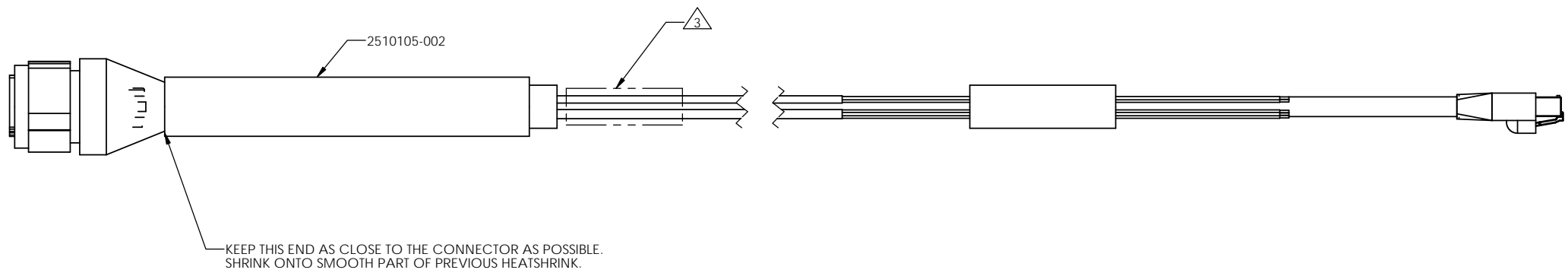
8 7 6 5 4 3 2 1



STEP 1



STEP 2



STEP 3

CA289B

COHU			
HD COSTAR			
8800HD CAMERA CABLE CA289			
SIZE	CODE IDENT NO.	REV	
D	05157	7411289	E
SCALE: 1:1		SHEET 2 OF 4	

8 7 6 5 4 3 2 1

MAX 200 FEET

D38999 26FD 35 SN (1310609-002)
M85049/38S-15N(1310610-001)

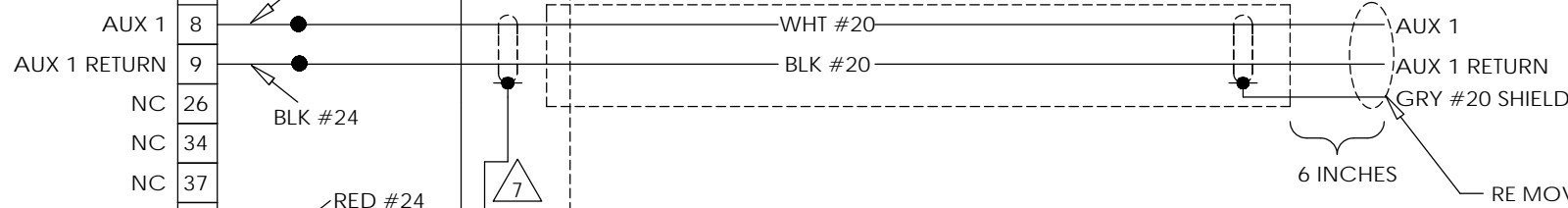
BELDEN CAT5e 7419A(7610201-001)

RJ45 (1310527-008)
BOOT (1310611-001)



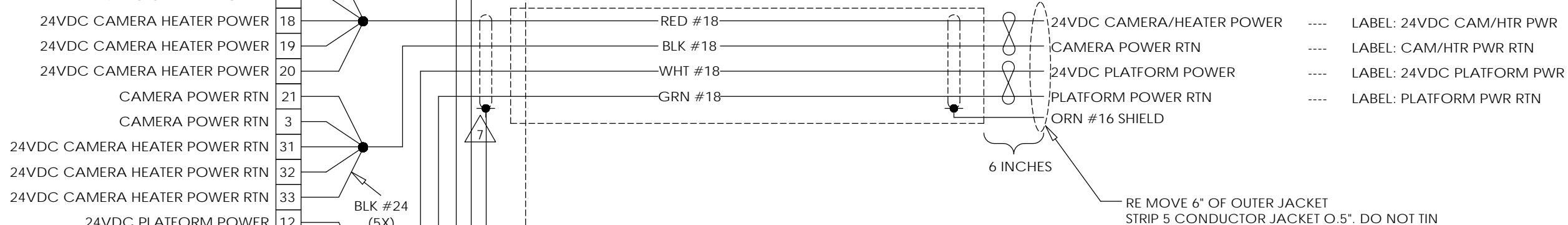
2X 30 FEET

BELDEN 1033A (7610200-001)



6 INCHES
RE MOVE 6" OF OUTER JACKET
STRIP & TIN 3 CONDUCTORS

BELDEN 5202F1 (7610199-001)



6 INCHES
RE MOVE 6" OF OUTER JACKET
STRIP 5 CONDUCTOR JACKET 0.5". DO NOT TIN

10 FEET

BLK#18 CHASSIS GROUND

ADHESIVE LINED
SHRINK SLEEVING

CA 289	CONNECTOR (MAIN)	STRAIN RELIEF	CONNECTOR RJ45	BOOT	AUX CABLE	POWER CABLE
A	1310609-002	1310610-001	1310527-008	1310611-001	8183-8	8183-9

CA289A SCHEMATIC

COHU HD|COSTAR

8800HD CAMERA CABLE
CA289

SIZE	CODE IDENT NO.	REV
D	05157	E
7411289		
SCALE: 1:1	SHEET 3 OF 4	

