

4910 Series High Performance Monochrome CCD Camera

COHU

On-chip-microlens Interline Transfer Imager virtually eliminates overload streaking, improves dynamic range

High sensitivity permits operation over a broad range of light levels

Convenient, precision adjustments from side panel

Eight-speed Electronic Shutter

Adjustable field or frame integration

Asynchronous reset provides random vertical reset capability for production line operations

Optional designs for remote head and outdoor applications

A full-featured, rugged, precision camera with 1/2" CCD sensor, C/CS lens mount



APPLICATIONS

- **Security/Surveillance** - Military Installations
 - Nuclear Power Plants • Hazardous Waste Management • Traffic Management Airports • Mass Transit Systems • Radar Tracking Systems
- **Image Processing**
- **Machine Vision**
- **Process Control**
- **Quality Control**
- **Image Analysis**

4910 Series

High Performance Monochrome CCD Camera

The 4910 Series High Performance Monochrome 1/2" CCD cameras from Cohu offer high resolution and high sensitivity for use in a broad range of security/surveillance, scientific, and industrial video applicants.

The 4910 Series cameras feature a 1/2"-format on-chip microlens sensor, which reduces dark current, lag, and blooming, while improving dynamic range and spectral characteristics.

For video applications prone to streaking problems, a 1000:1 overload capability allows transmission of clear video signals even when bright incidental light is present in the scene.

The 4910 Series design also incorporates a removable trim plate for side panel access to controls such as gamma, electronic shutter, and gain.

Available in RS-170 and CCIR models, the 4910 Series cameras

feature 26 dB of AGC for high sensitivity in low light-level applications. They are rugged, yet lightweight and compact, making them ideal for easy system integration. And 4910 Series cameras are backed by a full two-year warranty.

A leading U.S. manufacturer of closed circuit video cameras and systems for more than 40 years, we welcome requests for special products and complete CCTV systems.

Choice of synchronization options for greater versatility

26 dB AGC for increased sensitivity at low light levels

1000:1 overload capability permits incidental light overloads up to ten times that of other CCD cameras

No lag or image retention — provides fast, clean, precise images

Zero geometric distortion for consistent corner-to-corner linearity

"C" or "CS" lens mount expands your choice of lenses

Choice of RS-170 or CCIR models

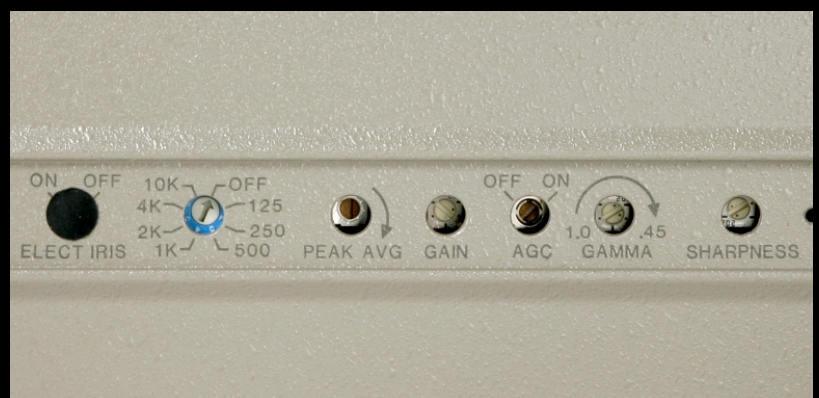
Optional Electronic Iris automatically controls exposure from 1/60 sec. to 1/15,000 sec.

Optional IR Filter

State-of-the-art design and construction for total, solid-state reliability and long life

Made in U.S.A. — direct factory support

Two-year Warranty



An easily removable trim plate allows access to the following side-panel controls: Electronic Iris ON/OFF, Eight-Step Shutter Timing, ACG Peak/Average, Gain, AGC ON/OFF, Gamma, Black Level.

4910 Series Specifications

ELECTRICAL

Image Area

6.4 x 4.8mm (corresponding to 1/2" format tube)

Active Picture Elements

RS-170: 768 (H) x 494 (V)
CCIR: 752 (H) x 582 (V)

Imager Type

On-chip microlens sensor interline transfer CCD

Cell Size

RS-170: 8.4 x 9.8 microns
CCIR: 8.6 x 8.3 microns

Resolution

RS-170: 580 (H) x 350 (V) TVL
CCIR: 560 (H) x 450 (V) TVL

Sensitivity (faceplate) @ 2850 K

Please see Table 1

Electronic Shutter

Eight steps from 1/50 or 1/60 to 1/10,000 second (1/50 or 1/60, 1/125, 1/250, 1/500, 1/1,000, 1/2,000, 1/4,000, 1/10,000 second)

Integration

Integration period controllable through external input pulse
Grab pulse output
Field (1/60 or 1/50 second) or Frame (1/30 or 1/25 second) integration selected by internal jumper

Video Output

1.0 V p-p @ 75 ohms, unbalanced

Gamma

Variable 0.45 to 1.0

AGC

26 dB, variable gain

Signal To Noise

≥ 56 dB at gamma 1, gain 0
38 dB at gamma 1, AGC On

Auto Lens

Separate lens video ratio tracks AGC peak/average adjustment to eliminate AGC/auto lens interaction
Power: +15V, 35mA maximum

Synchronization

Genlock, revert to variable phase line lock with zero crossing detector
Genlock, revert to crystal
Crystal Lock
H & V Drive
Asynchronous Reset
Internal Clock Speeds
RS-170: 28.6363 MHz
CCIR: 28.375 MHz

Power Requirements

12V AC or DC (standard)
24V AC or DC (optional)
115V AC (optional on RS-170 models, includes wall transformer and connector)
230V AC (optional on CCIR models, includes wall transformer and connector)
4.2 Watts DC power consumption
LED Power Indicator, Green

This model has been tested and found to comply within the FCC limits for Class "B."

MECHANICAL

Dimensions

(See illustration)

Weight

18.5 oz (0.52 kg)

Lens Mount

"CS" mount, 16mm format
"C" mount with adapter (furnished)

Camera Mounts

1/4 - 20 threaded holes, top and bottom

Connectors

Video (BNC)
Power (2 circuit screw terminal)
Lens (3 pin mini-DIN)
External Sync (8 pin DIN)

ENVIRONMENTAL

Ambient Temperature Limits

Operating: -20° to +60°C (-4° to +158°F)
Storage: -30° to +70°C (-22° to +187°F)

Humidity

Up to 95% relative humidity

Vibration (less lens)

Sine vibration from 10 to 2,000 Hz, 5g peak, all 3-axis, 1/2 hour per axis per MIL-E 54007, para. 3.2.24.5.1.2, fig. 2, curve IIIA
Random vibration from 10 to 2,000 Hz, 11g, RMS, all 3-axis, 1/2 hour per axis, meets MIL-E 54007, para. 3.2.24.5.1.2A, category 6

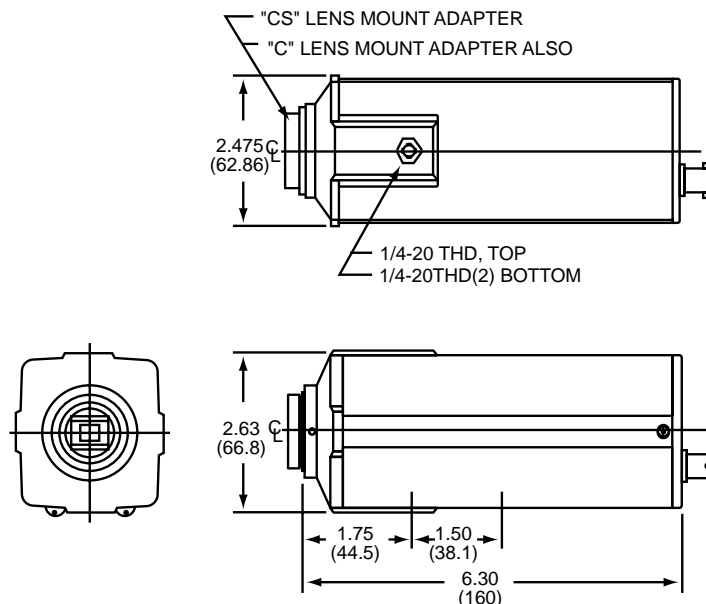
Shock (less lens)

Up to 15g any axis under non-operating conditions

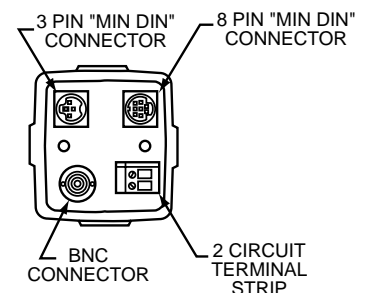
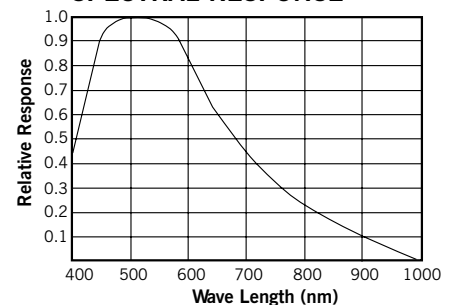
SENSITIVITY

	Full Spectrum	With IR Filter
Full Video, No AGC	0.039 fc (0.39 lux)	0.15 fc (1.5 lux)
80% Video, AGC On	0.001 fc (0.01 lux)	0.006 fc (0.06 lux)
30% Video, AGC On	0.0002 fc (0.002 lux)	0.0009 fc (0.009 lux)

Dimensions in inches (mm)



SPECTRAL RESPONSE



ORDERING INFORMATION

491X X X X X / XXXX

Power Options

- 2 - 12V AC or DC
- 3 - 230V AC, 50 Hz, with AC wall adapter (CCIR Models)
- 4 - 24V AC or DC
- 5 - 115V AC, 60 Hz, with AC wall adapter (RS-170 Models)

Sync Options

- 2 - Genlock* (revert to crystal) RS-170
- 3 - Genlock* (revert to variable phase line lock) RS-170
- 4 - Asynchronous Reset RS-170
- 5 - Genlock* (revert to crystal) CCIR
- 6 - Genlock* (revert to variable phase line lock) CCIR
- 7 - Asynchronous Reset CCIR

Optical Filters

- 0 - None
- 1 - IR Filter (non-removable)

Options

- 0 - None (Standard TV Rate)
- 1 - Frame Mode
- 3 - Electronic Iris*

* Electronic Iris option is designed for use with manual iris lenses only. With this option, the camera operates in the field integration mode.

Use of the electronic iris defeats electronic shutter positions.

Module Options

- 0 - None

Lens Options

Manual Iris, CS Mount	Auto Iris, CS Mount
A003 - 3.7mm, f/1.6, 1/2"	EH04 - 3.7mm, f/1.6, 1/2"
A006 - 6mm, f/1.4, 1/2"	EH06 - 6mm, f/1.4, 1/2"
A013 - 12mm, f/1.4, 1/2"	EH13 - 12mm, f/1.4, 1/2"
Manual Iris, C Mount	Auto Iris, C Mount
*AL04 - 4.5mm, f/2.0, 2/3"	ES04 - 4.2mm, f/1.8, 1/2"
*AL08 - 8mm, f/1.4, 2/3"	ES05 - 4.8mm, f/1.8, 2/3"
AL16 - 16mm, f/1.4, 2/3"	ES08 - 8mm, f/1.4, 2/3"
AL25 - 25mm, f/1.4, 1"	ES12 - 12.5mm, f/1.4, 2/3"
AL50 - 50mm, f/1.4, 1"	ES16 - 16mm, f/1.4, 2/3"
AL75 - 75mm, f/1.8, 1"	ES25 - 25mm, f/1.4, 1"
* Wide Angle	ES35 - 35mm, f/1.4, 2/3"
	ES50 - 50mm, f/1.4, 1"
	ES75 - 75mm, f/1.8, 1"

Please consult factory for other lens selections.

The same fine camera is available packaged for harsh environments...

The 4940 Series high performance monochrome environmental CCD cameras from Cohu combine advanced video technology and rugged reliability for peak performance in harsh-environment security/surveillance applications.

The 4.5" dia. sealed and pressurized environmental housing provides maximum protection against rain, snow, dust, humidity, chemical pollutants, extreme temperatures, and other hazards.



...or with a remote head for space-critical applications.



Cohu's 4980 and 4990 Series High Performance Monochrome Remote-Head CCD cameras are the perfect solution for video applications requiring high performance in a compact package. The lightweight

mini-remote head is easily incorporated into microscopes, medical instruments, and machine vision systems, and is ideal for specialized security/surveillance applications.

The model 4990 has a fixed 15-ft remote cable, while the model 4980 is available with cables up to 100 feet between the head and the control unit.

For complete information on these cameras, check the website at www.cohu-cameras.com/products/4900.htm and request the data sheets for the models 4940, 4980 or 4990.